



L & XL UNIVERSAL ROPS-MOUNT CANOPY



Perfect for any condition!



Universal ROPS Canopy - Black shown
(PN: 1UTCLO | 1UTC0)

Versatile | Lightweight Aluminum | Reversible | Universal Fit

CURTIS CANOPY FEATURES

Lightweight aluminum cover

Weight - Large: 30 lbs | X-Large: 34 lbs

Textured powder-coat finish

Toolless removal in seconds

Integrated handles - quick release latches

Reversible - rear facing for backhoe operation

Adjustable positioning - fits angled or straight ROPS

Easily installs in 30 minutes

Trailable up to 35 mph





L & XL UNIVERSAL ROPS-MOUNT CANOPY

Canopy Fitment Requirements:

- Fits square or rectangular ROPS
- 10" of flat surface on top of ROPS
- 2" to 3" ROPS width
- 1.5" to 2.75" ROPS thickness

Canopy adds 4" perpendicular to the flat top surface of the ROPS

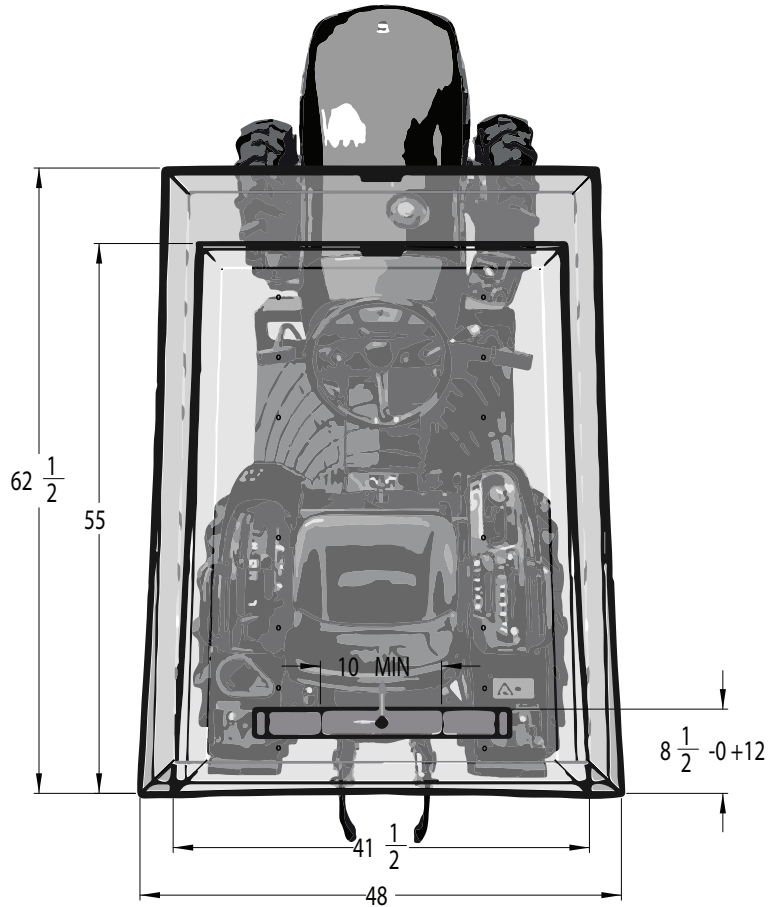
Mounts to compact, sub-compact tractors & zero turn mowers

Canopy shown at furthest back position.

Can be moved forward up to 12".

L Dimensions: 56" long and 42" wide at the back, tapering to 37" in the front

XL Dimensions: 62" long and 48" wide at the back, tapering to 43 1/2" in the front



Enhancing our Customers' Comfort and Productivity Every Day  More Innovation. More Value.

Pivot assembly mounts to vehicle ROPS in minutes.



Get extra Mounts for each of your ROPS vehicles.

Canopy adjusts 12" (6" forward or back) & angles up to 36 degrees to accommodate operator position.



AUTHORIZED DEALER

(PN: 1UTCTx | 1UTCLTx)

All brand names are trademarked by their respective companies. Curtis Industries and its products are not endorsed or affiliated with any of these companies.

70 Hartwell Street | West Boylston, MA | 01583 | 508.853.2200 | www.curtiscab.com