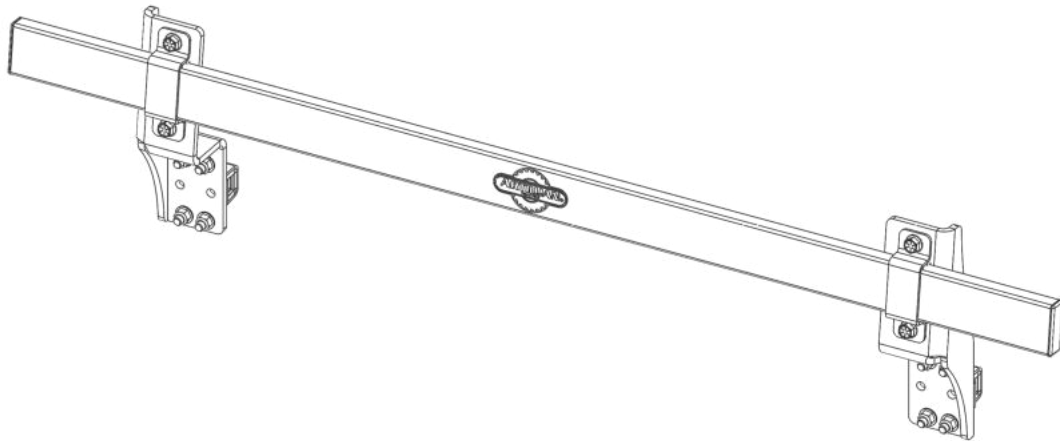




## ARTILLIAN UTV BED MOUNTED TOOL BAR P/N: 1UTVTB



The **Artillian UTV Bed Mounted Tool Bar** is an innovative system for attaching accessories to a UTV bed. It attaches to most vehicle beds in minutes (some drilling may be required). At 42" wide, with unlimited mounting bracket placement along the length, it adjusts to fit many different vehicle beds. Simple, yet elegant mounting brackets included. 1" square tube clamps provided for UTV beds that have exposed tubing.

Additional UTV Tool Rack can be purchased to convert your Tool Bar system into a full bed rack for carrying ladders, wood, and any of the *Artillian ROPS Mounted Tool Bar Accessories*.

The proprietary *Cam Lever Latching* feature found on the many optional accessories allows for installation and removal of a given accessory in seconds.

Approximate Installation Time	Approximate Product Specifications
Experienced Dealer Technician – 15 Minutes	Mounting Bar Width: 42 inches
Average Dealer Technician – 25 Minutes	Weight: 12.2 lbs. (not including accessories)
Do-It-Yourself – 45 Minutes	Capacity: 100 lbs. (including accessories)



### CAUTION

**Do not exceed the rated capacity for the Tool Bar or its accessories. Doing so may result in damage to the Tool Bar and will void the warranty.**

The contents of this envelope are the property of the owner. Leave with the owner when installation is complete.

All images shown are for illustration purposes only. Actual product may vary due to product enhancement.

## WARNINGS, TIPS, & REQUIRED TOOLS

*Artillian products feature an assembly of parts designed for your vehicle which require adjustment and alignment of components to accommodate vehicle variations and provide proper installation. For accurate installation, proper operation, and years of satisfaction, please read and understand the installation and owner's manual fully prior to installing the product.*

*From all of us at Artillian, we thank you for choosing our product.*

### NOTICE

This product adds additional weight to the base vehicle. All product and accessory weights are listed in the Installation & Owner's Manual. Deduct the product (and accessories) total weight from the vehicle's rated capacity and never exceed the vehicle's rated capacity, including driver and passenger.

### WARNING

This product is intended to increase the functionality of the UTV bed for use in **SLOW SPEED CONDITIONS**. The weight and location of this product and its accessories (when mounted on a UTV bed) will increase the vehicle's center of gravity. This may cause the vehicle to become less stable when driving. Additional caution should be used when driving with this product installed, especially when multiple accessories and/or tools are added.

**TRAVEL SPEEDS MUST BE GREATLY REDUCED TO AVOID ROLLOVER. FAILURE TO COMPLY COULD RESULT IN INJURY OR DEATH.**

This product is not intended for use in trail riding, driving on particularly rough terrain, on slopes, or at high speeds.

Do not attempt to dump the vehicle bed with accessories installed on either the Tool Bar or the Tool Rack. Doing so may result in damage to the Tool Bar, the Tool Rack, the Tool Bar Accessories, or to the vehicle bed or its dumping mechanism.

## GENERAL INFORMATION BEFORE YOU START

- To assist with installation, leave all fasteners loose for later adjustment unless otherwise specified.
- Before installing parts with factory installed rubber, make sure the rubber is fully installed onto parts for proper fit and finish. It is possible that the rubber has shifted during shipment.
- Use caution to avoid damaging factory installed threaded inserts. Begin thread engagement by hand to avoid or correct potential cross-threading.

## TOOLS REQUIRED:

- Set of Standard and Metric Sockets (3/8" Drive)
- 3/8" Drive Ratchet
- Set of Standard and Metric Open-End Wrenches
- Drill / Driver
- Set of Standard Drill Bits
- Center Punch
- Awl
- C-Clamps

# MOUNTING CONFIGURATION OVERVIEW

*This kit is designed to accommodate many sizes and shapes of vehicle beds. Per the illustrations on this page, the brackets may face inward or outward, attaching to the inside or outside face of your vehicle bed.*

*Included in the kit are 1" square tube clamps for attaching to vehicle beds that have exposed 1" square tubing (most Kawasaki beds). Also included are heavy duty backer plates for bolting through thin sheet metal beds.*

*Before installation, hold the mounting brackets up to the vehicle bed and determine the desired location of the brackets. Some considerations are: bed length, features on the bed, and the width of the user's Tool Bar Accessories. Ideally, the mounting brackets will be spaced at least 20" apart and the tube will be centered on the brackets. In order to mount multiple accessories at one time, the accessories may need to "straddle" one or both of the mounting brackets. This should be considered prior to drilling the vehicle bed, if drilling is required for your application.*



## WARNING

*It is the user's responsibility to ensure that installation of this product does not affect the functionality of the vehicle ROPS, tires, or any other safety feature of the vehicle. Failure to do so may result in injury or death. Due to the many variations between UTV models, the UTV Mounted Tool Bar or some of its quick removal accessories may interfere with dump bed operation, fender flares, or tires. If necessary, the quick-release Cam Lever Latches on the ROPS Mounted Tool Bar accessories allow a given accessory to be quickly removed and relocated to a non-interfering location.*

*Artillian strives to continuously improve our products. As such, the actual product may vary from the images shown throughout this manual.*

1. Figure 1 shows the tool bar mounted to a 1" square vehicle bed rail, facing outwards. This is the preferred orientation for hanging chainsaws and long handled tools on the tool bar. This orientation is also required if adding the *Artillian UTV Mounted Tool Rack*.
2. Figure 2 shows the tool bar mounted to a 1" square vehicle bed rail, facing inwards. This offers the most protection for installed tool bar accessories, with the tradeoff of taking up bed space. Chainsaws and long handle tools may not be installable on the tool bar in this orientation.
3. Figure 3 shows a toolbar installed on a vehicle with flat metal bed sides, facing outwards.
4. Figure 4 shows a toolbar installed on a vehicle with flat metal bed sides, facing inwards.

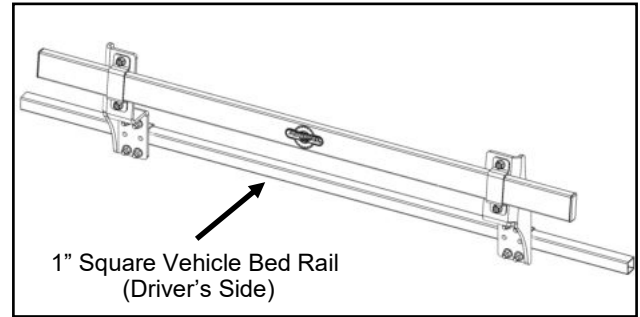


Fig. 1  
Mounted to Vehicle Bed Rail, Facing Outwards

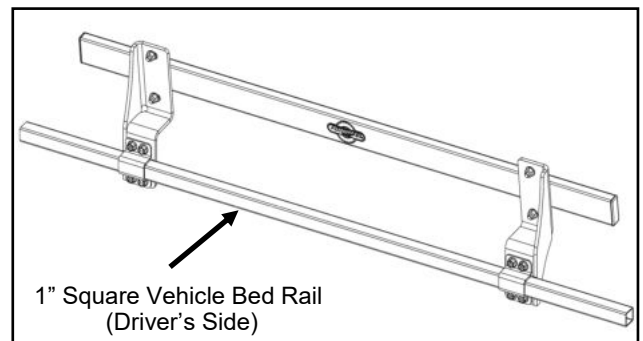


Fig. 2  
Mounted to Vehicle Bed Rail, Facing Inwards

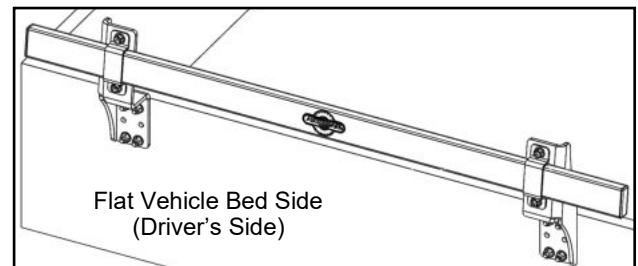


Fig. 3  
Mounted to Flat Vehicle Bed, Facing Outwards

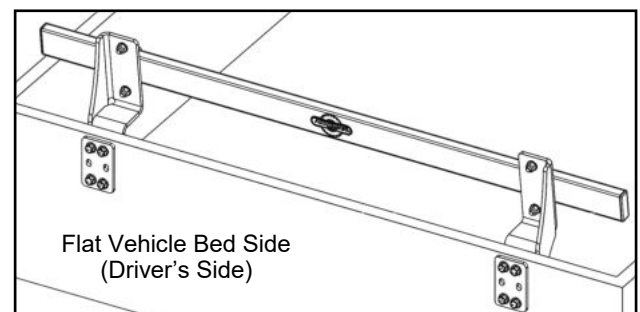


Fig. 4  
Mounted to Flat Vehicle Bed, Facing Inwards

# KIT INSTALLATION

1. Park the vehicle on a flat, level surface.
2. Once a mounting configuration has been chosen, make a temporary mark on the vehicle bed for locating where to fasten the mounting brackets. It is recommended that you take measurements off of a common feature on the bed so that the brackets will be level with each other and centered.
3. Choose the desired orientation (facing outside the bed or inside). Note: If installing the *Artillian UTV Mounted Tool Rack*, outside orientation is **REQUIRED**.
4. The included hardware kit contains various length screws. Choose the best length for your application, ensuring that the screw protrudes through the end of the nut. If the appropriate length screws are not found in the supplied kit, it is up to the discretion of the installer to procure 5/16-18 screws that are the appropriate length for the application. Backer plates have been provided for through bolting applications.

## INSTALLING ON 1" SQUARE VEHICLE BED RAILS (Most Kawasaki Beds)

5. Use the 1" square tube clamps (provided) to clamp the mounting brackets to the tube. Ensure that mounting brackets are level to each other, perpendicular to the bed rail, and not touching the plastic. Tighten fasteners using an alternating pattern. See Fig. 5

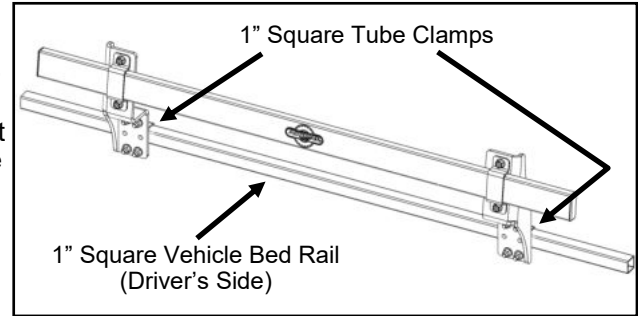


Fig. 5  
Mounted to Vehicle Bed Rail, Facing Outwards

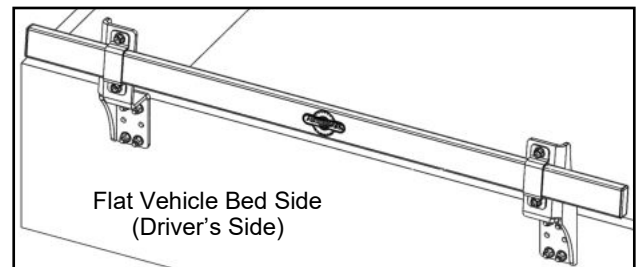


Fig. 6  
Mounted to Flat Vehicle Bed, Facing Outwards

## INSTALLING ON FLAT METAL BED RAILS (Most Club Car 4X4's)

6. C-Clamp the mounting brackets in the desired location and install the tool bar onto the brackets. See Fig. 6

*Note: if the bed rails have a return flange on top, ensure that the chosen location will allow access to the fasteners on all sides.*

7. Test fit an *Artillian Tool Bar Accessory* onto the tool bar to ensure that the cam lever latches can be fully locked without interference with the bed. Relocate the mounting brackets, if required.
8. Use the holes in the mounting brackets as a template for where to drill the vehicle. It is recommended to use the two sets of top and bottom holes in the bracket, but any (4) of the holes can be used. If center holes are selected, use a screwdriver, or an awl, to poke holes thru the foam. Drill 11/32" holes through the bed. Fasten with backer plates on opposite side. Tighten fasteners using an alternating pattern. See Fig. 8.

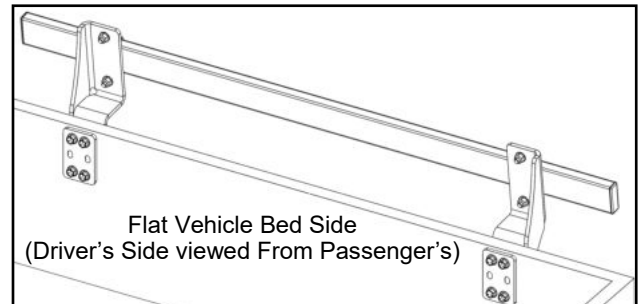


Fig. 8  
Mounted to Flat Vehicle Bed,  
Facing Outwards (viewed from inside of bed)

## INSTALLING ON FLAT METAL BED RAILS WITH WELDED-IN TUBES (Most Kubota RTV's)

9. Follow Steps 6 & 7 to find the desired bracket location.
10. With a screwdriver, or an awl, poke holes thru the foam covering the center holes. Use center holes in mounting brackets as a template to drill 11/32" holes through the tube in the bed. Tighten fasteners. See Fig. 9

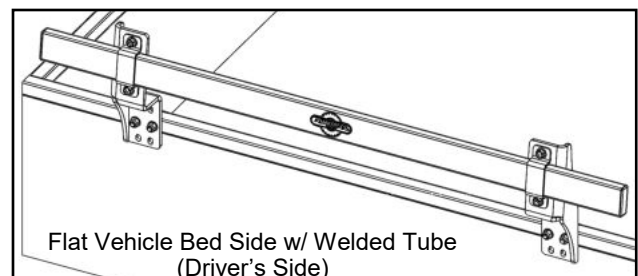


Fig. 9  
Mounted to Flat Vehicle Bed w/ Welded Tube,  
Facing Outwards

# FEATURES AND OPERATION

## FEATURES

The Artillian UTV Bed Mounted Tool Bar allows for one or more Artillian ROPS Mounted Accessories to be attached to the vehicle ROPS. Additional Tool Bars allow for additional accessories.

The innovation of the design is that any of the compatible accessories can be installed or removed from the Tool Bar in seconds, without the use of tools.

One job may require a toolbox filled with various hand tools. Another might necessitate a tool rack holding assorted long-handle yard tools or maybe a chainsaw mount and fuel can holder.

With the effortless installation and removal of each accessory, you won't waste any time setting up your UTV to carry the specific tool required for the job!

## ATTACHING ACCESSORIES:

1. Figure 1 shows an example of a toolbox installed on a *ROPS Mounted Tool Bar*. Installation onto a *UTV Mounted Tool Bar* is the same.
2. To install an accessory, have both cam levers rotated UP, then place onto the Tool Bar. See fig. 2.
3. To secure the accessory to the mounting bar, rotate both cam levers DOWN until they cam over. See fig. 3.

*NOTE: The accessory can be locked to the Tool Bar by inserting a padlock through the holes in the mounting bracket where shown.*

4. To remove an accessory, rotate both cam levers UP and lift the unit off of the Tool Bar.

## OPERATION

1. Due to the excessive vibrations generated by a UTV, the UTV Bed Mounted Tool Bar fasteners may loosen up over time. It is recommended that the fasteners are checked and retightened, as required, regularly.
2. Depending on space availability on a given UTV Bed, a second Tool Bar can be added to allow for even more accessories to be attached at a time.

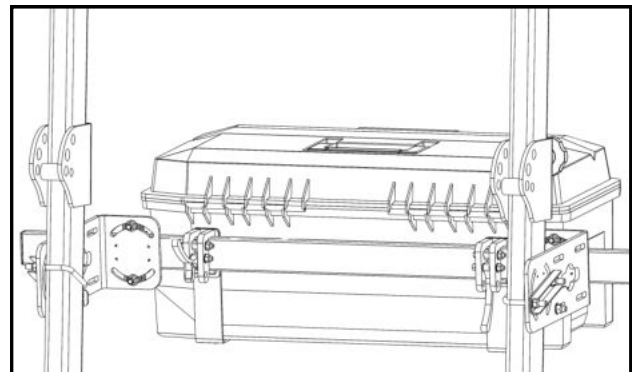


Fig. 1 (example of attaching a tool box)

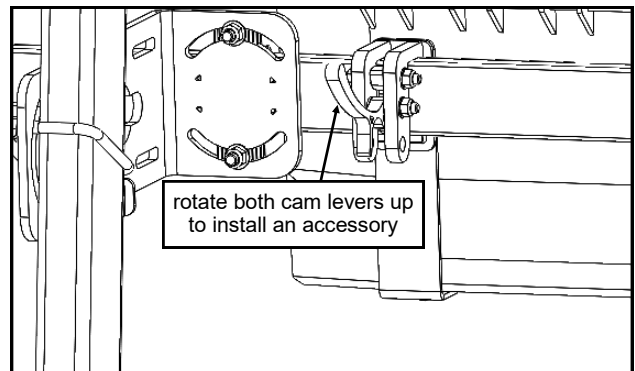


Fig. 2 (cam lever in the open position)

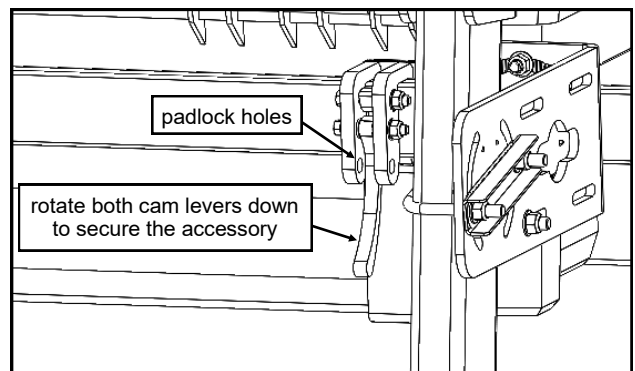


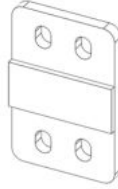
Fig. 3 (cam lever in the closed position)

# SERVICE PARTS:

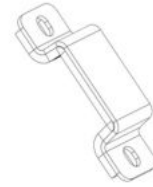
MOUNTING BAR ASS'Y.  
P/N: 8SV-113-00186 (QTY.: ONE)



BACKER PLATE ASS'Y.  
P/N: 8SV-110-00092 (QTY.: ONE)



TUBE CLAMP ASS'Y.  
P/N: 8SV-110-00068 (QTY.: ONE)



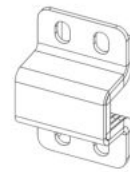
MOUNTING BRACKET ASS'Y., LEFT  
P/N: 8SV-110-00090-L (QTY.: ONE)



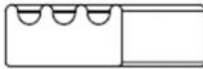
MOUNTING BRACKET ASS'Y., RIGHT  
P/N: 8SV-110-00090-R (QTY.: ONE)



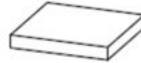
UTV BED RAIL CLAMP ASS'Y.  
P/N: 8SV-110-00086 (QTY.: ONE)



1/2" V-GROOVE WEATHERSEAL  
P/N: 9SV-PR20-10 (QTY.: 10 FEET)



FOAM SEAL, 1" X 1/8"  
P/N: 9SV-PR39-5 (QTY.: 5 FEET)



PLASTIC TREE CLIPS  
P/N: 9SV-CP01 (QTY.: 12)



# AVAILABLE ACCESSORIES:

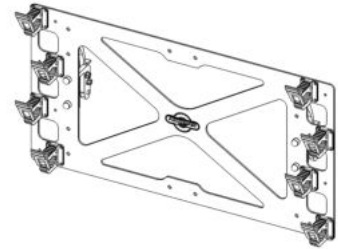
ROPS MOUNTED TOOLBOX, LARGE  
P/N: 1RMTBX5



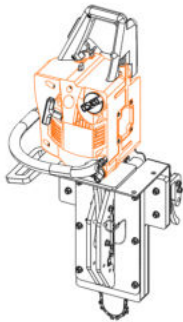
ROPS MOUNTED TOOLBOX, X-LARGE  
P/N: 1RMTBXL



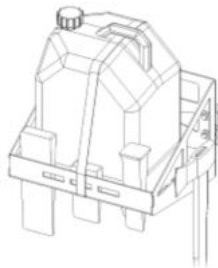
ROPS MOUNTED TOOL RACK  
P/N: 1RMTRK



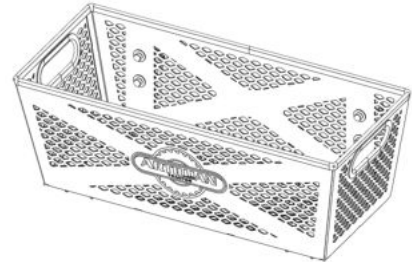
ROPS MOUNTED CHAINSAW MOUNT  
P/N: 1RMCSM  
(chainsaw shown for illustration purposes)



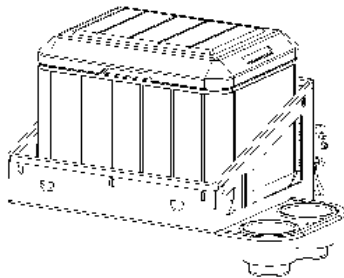
ROPS MOUNTED FUEL CAN HOLDER  
P/N: 1RMFCH



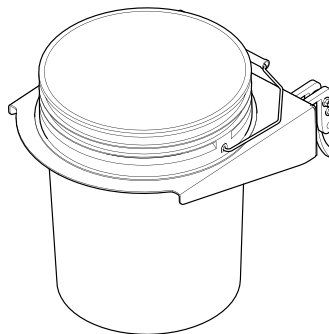
ROPS MOUNTED TOOL BASKET  
P/N: 1RMTBSK



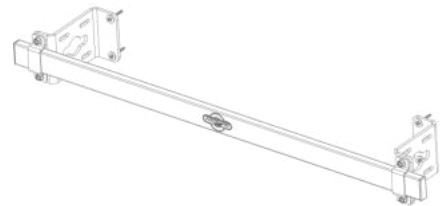
BEVERAGE COOLER HOLDER  
P/N: 1RMBCH  
(cooler shown for illustration purposes)



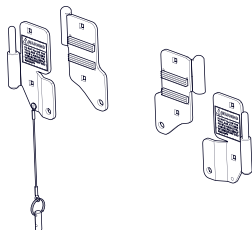
ROPS MOUNTED 5-GALLON BUCKET  
HOLDER - P/N: 1RM5GBH  
(Bucket shown for illustration purposes)



TOOL BAR WALL MOUNT  
P/N: 1RMTBWM



ROPS MOUNTED TOOL BAR  
QUICK RELEASE KIT  
P/N: 1RMTBQR



## MORE ACCESSORIES COMING SOON!

## *Warranty*

**Artillian, LLC** warrants to the original purchaser that this product will be free from defects in material and workmanship for a period of **90 days** from the date possession taken by the original purchaser for use with Artillian hydraulic products and used as intended and under normal service and conditions for personal use. If not purchased for use with Artillian hydraulic products (e.g. Grapple, Plow Adapter, etc.), the warranty period is limited to **30 days**.

Finishes (coatings, labels, & decals) are not inclusive. Artillian, LLC reserves the right to inspect items claimed to be defective in material or workmanship. Artillian LLC's obligation under this warranty is limited to repair or replacement with a nearest similar part.

This Warranty will not apply to any part or product which in Artillian LLC's judgment shall have been misused or damaged by accident, abuse, misapplication, fire, negligence, or lack of normal maintenance or care, or which has been altered or repaired in a way which adversely affects its performance or reliability, or which has been used for a purpose for which the product is not designed.

Artillian, LLC's obligations under this warranty, to the extent allowed by law, is in lieu of all warranties, implied or expressed, including implied warranties of merchantability and fitness for a particular purpose and any liability for incidental and consequential damages with respect to the sale or use of the product warranted. In any event, liability on behalf of Artillian LLC is limited to the original purchase price.