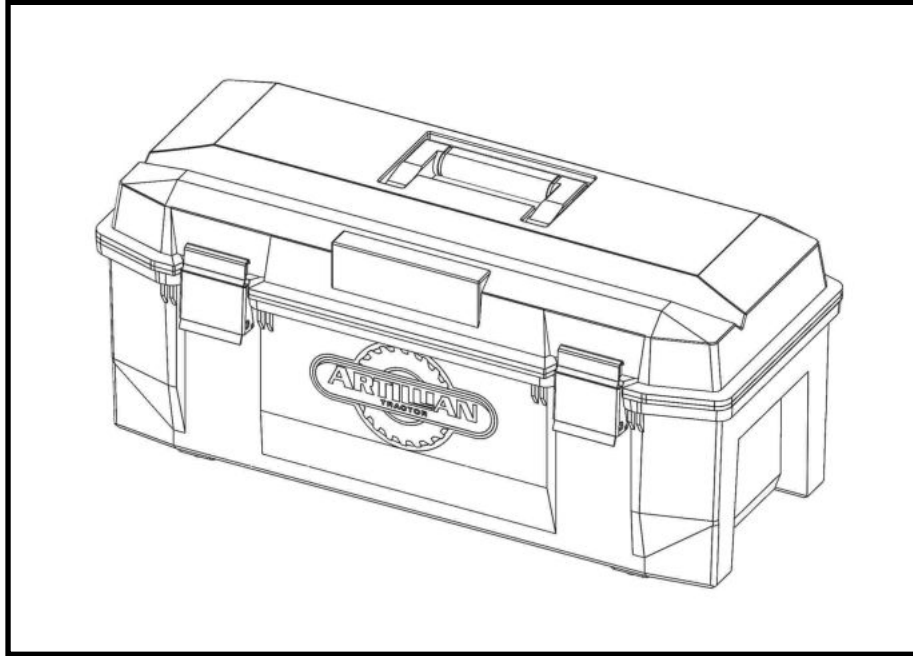




## ARTILLIAN ROPS MOUNTED TOOLBOX, X-LARGE, 28"X13"X11" P/N: 1RMTBXL

For use on the Artillian ROPS Mounted Tool Bar (P/N: 1RMTB) (sold separately)



The X-Large Artillian ROPS Mounted Toolbox is a plastic storage container with an internal tote tray and 10 gauge steel support brackets. The heavy duty box is rated for 60 pounds. Integrated *Cam Lever Latches* securely lock onto the Artillian ROPS Mounted Tool Bar (sold separately) in seconds without the use of tools.

Bring the box to where the tools are, fill it up, and carry it back to your tractor. Drop it onto the Tool Bar, cam over the latches, and you are on your way!

The quick release latches allow for easy removal of the toolbox for storage or replacement with one of the many other Artillian ROPS Mounted Tool Bar Accessories.

Approximate Installation Time	Approximate Product Specifications
Experienced Dealer Technician – 2 Minutes	Overall dimensions: 28" L x 13" W x 11" H
Average Dealer Technician – 2 Minutes	Weight: 15.08 lbs. (not including mounting bar)
Do-It-Yourself – 2 Minutes	Capacity: 60 lbs.



**CAUTION** *Do not exceed the rated capacity for the Toolbox. Doing so may result in damage to the Toolbox and/or the Tool Bar and will void the warranty.*

The contents of this envelope are the property of the owner. Leave with the owner when installation is complete.

# FEATURES AND OPERATION

## ATTACH TO MOUNTING BAR:

1. Figure 1 shows a toolbox installed onto an Artillian ROPS Mounted Tool Bar.
2. To install the toolbox, rotate both cam levers UP, then place onto the Tool Bar. See fig. 2.

*Note: if the Cam Lever Latches do not sit flush on the Tool Bar, one of the clamp plates may not have been fully open. Simply remove the toolbox, rotate the cam levers up and tilt the toolbox away from you to ensure the clamp plates are fully open, then reinstall on the Tool Bar.*

3. To secure the toolbox to the Tool Bar, rotate both cam levers DOWN until they cam over. See fig. 3.

*NOTE: For additional security, the toolbox can be locked to the Tool Bar by inserting a padlock through the holes in the mounting bracket where shown in fig. 3.*

4. To remove the toolbox from the Tool Bar, rotate both cam levers UP, then lift the toolbox.

## FEATURES AND OPERATION

1. For optimal functionality, the cam lever latches are factory assembled with some friction between the cam lever and the housing. This ensures the cam lever doesn't accidentally flip closed while the user attempts to install it on the bar. If the cam levers loosen up over time, simply tighten the nut and bolt that secure the lever to the housing until the desired resistance on the cam lever has been achieved.

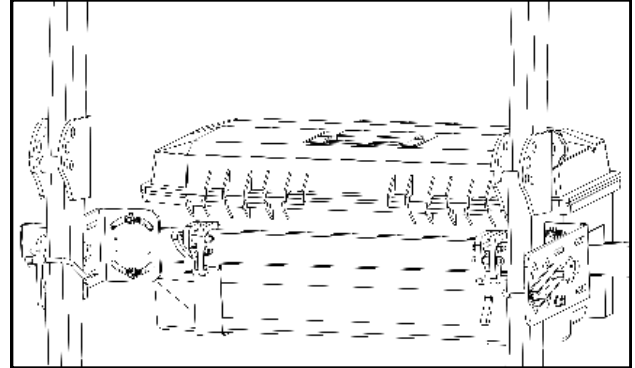


Fig. 1 (attaching a toolbox)

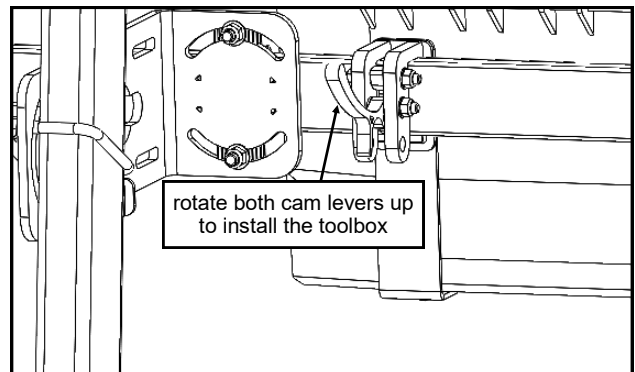


Fig. 2 (cam lever in the open position)

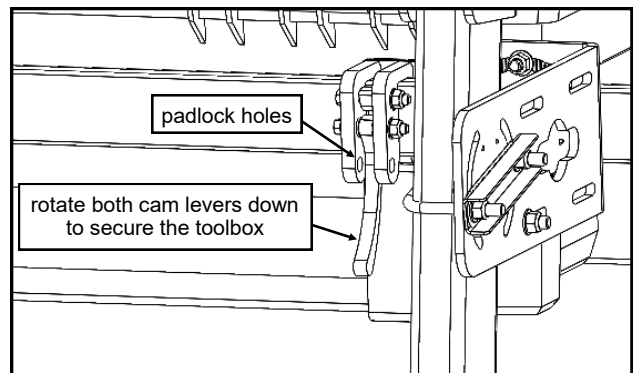
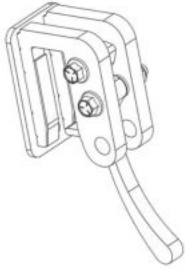


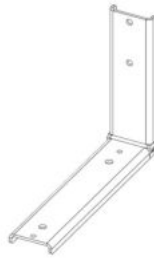
Fig. 3 (cam lever in the closed position)

# SERVICE PARTS:

CAM LEVER LATCH  
P/N: 8SV-110-00071 (QTY.: ONE)



TOOLBOX SUPPORT BRACKET, LARGE  
P/N: 8SV-WA-00363 (QTY.: 2)



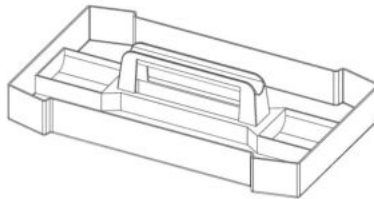
SAFETY WALK ADHESIVE STRIPS  
P/N: 9SV-9PR62-375 (QTY.: 12)



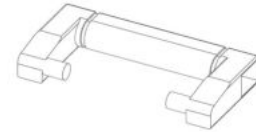
TOOLBOX, DRILLED, 28"X13"X11"  
P/N: 8SV-9TB-01A



INTERNAL TRAY, 9TB-01 TOOLBOX  
P/N: 9SV-9TB01TRAY

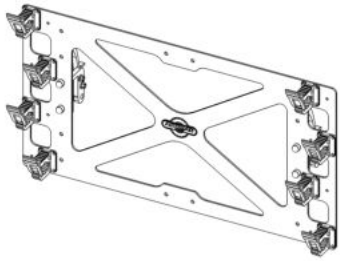


HANDLE, 9TB-01 TOOLBOX  
P/N: 9SV-9TB01HANDLE

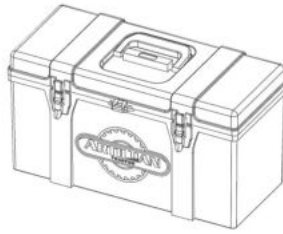


# OTHER ACCESSORIES:

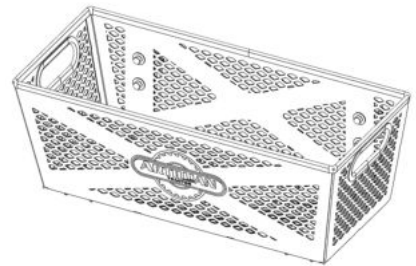
ROPS MOUNTED TOOL RACK  
P/N: 1RMTRK



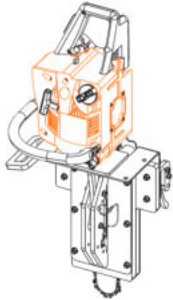
ROPS MOUNTED TOOLBOX, LARGE  
P/N: 1RMTBXS



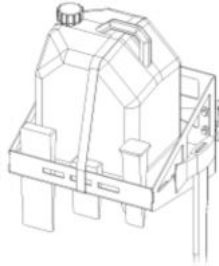
ROPS MOUNTED TOOL BASKET  
P/N: 1RMTBSK



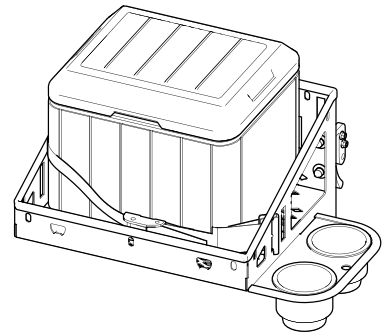
ROPS MOUNTED CHAINSAW MOUNT  
P/N: 1RMCSM  
(chainsaw shown for illustration purposes)



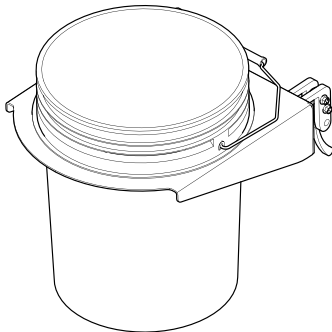
ROPS MOUNTED FUEL CAN HOLDER  
P/N: 1RMFCH  
(Fuel can, wedges, & maul shown for illustration purposes)



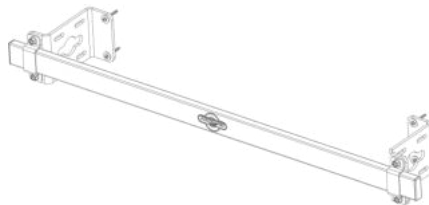
ROPS MOUNTED BEVERAGE COOLER  
HOLDER - P/N: 1RMBCH  
(Cooler shown for illustration purposes)



ROPS MOUNTED 5-GALLON BUCKET  
HOLDER - P/N: 1RM5GBH  
(Bucket shown for illustration purposes)



TOOL BAR WALL MOUNT  
P/N: 1RMTBWM



**MORE ACCESSORIES COMING SOON!**