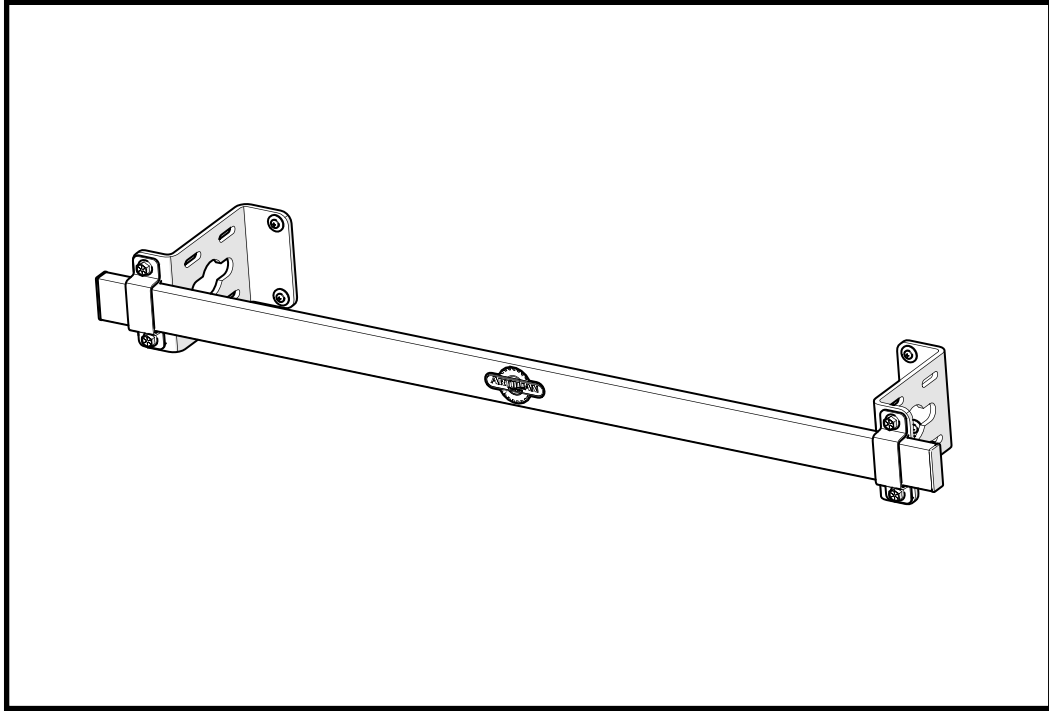




**ARTILLIAN ROPS MOUNTED TOOL BAR
WALL MOUNT - P/N: 1RMTBWM**



The Artillian ROPS Mounted Tool Bar is an innovative system for attaching accessories to your 2-Post tractor ROPS. The proprietary *Cam Lever Latching* feature found on the many optional accessories allows for installation and removal of a given accessory in seconds.

This Wall Mount kit has the same great features, apart from the mounting brackets, which are designed to mount onto a flat wall, rather than a 2-Post tractor ROPS. This allows the system to be mounted in a garage, workshop, enclosed trailer, or other fixed location for storage of the various *ROPS Mounted Tool Bar Accessories*.

Approximate Installation Time
Experienced Dealer Technician – 15 Minutes
Average Dealer Technician – 25 Minutes
Do-It-Yourself – 45 Minutes

Approximate Product Specifications
Mounting Bar Width: 42 inches
Weight: 9.76 lbs. (not including accessories)
Capacity: 100 lbs. (including accessories)



CAUTION

Do not exceed the rated capacity for the Tool Bar or its accessories. Doing so may result in damage to the Tool Bar and will void the warranty.

The contents of this envelope are the property of the owner. Leave with the owner when installation is complete.

KIT INSTALLATION

This kit is designed to be mounted to flat finished or most unfinished types of walls, with adequate spacing to allow room for the Cam Lever Latches to operate. The illustrations to the right are for reference of various types of installations.



WARNING

It is the user's responsibility to ensure that installation of this product does not affect integrity of the structure to which it is attached, and that the structure is stable enough to hold the Tool Bar and any of its accessories.

A minimum of 48 inches of unobstructed wall area is recommended.

Brackets are intended to face outward as shown, but may be turned inward if a viable wall stud is not available far enough from a wall corner or other obstruction.

For all types of wall construction:

1. Determine the desired installation height and placement for the brackets. Mark for the holes accordingly.

NOTE: Holes in the brackets are spaced 3.5 inches apart vertically and centered around the tool bar.

Recommended spacing between mounting holes for the brackets is 32 inches, but may vary from 24" to 36" depending on the wall construction.

2. Refer to specific instructions on the next page for recommended installation of the wall brackets for the type of wall construction encountered.

NOTE: Wood screws (black) and concrete screws (blue) have been provided in this kit and should be suitable for most wood frame or concrete walls. These screws must penetrate a minimum of 1 inch to hold securely. If the installation is into a different material, it is the responsibility of the installer to procure the appropriate fasteners for installation into such material.

3. Install both brackets to the wall. If using the screws provided (or the equivalent size: 3/16" or #10), use the included flat washers under the heads of the screws.

Make sure to install the brackets as close to level as possible. If using 3/16" or #10 screws, some vertical adjustment is possible.

Attach the Tool Bar to the wall brackets using the included U-shaped brackets, four 5/16-18 x 1" bolts and nuts.

The tool bar is intended to be centered on the wall brackets, but may be slightly off-center depending on location of wall studs or other factors. Center the tool bar to the wall mounts or to the space available, as desired.

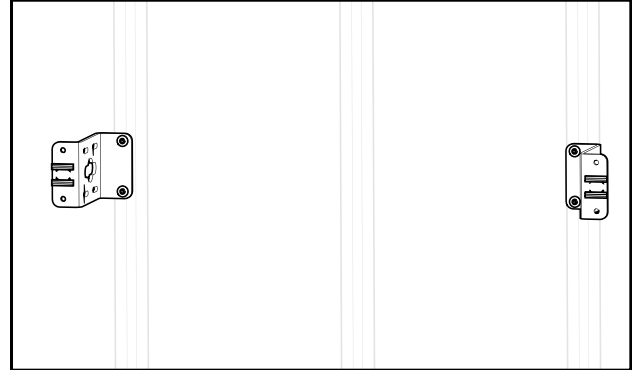


Fig. 1 (Brackets on wall, facing outwards)

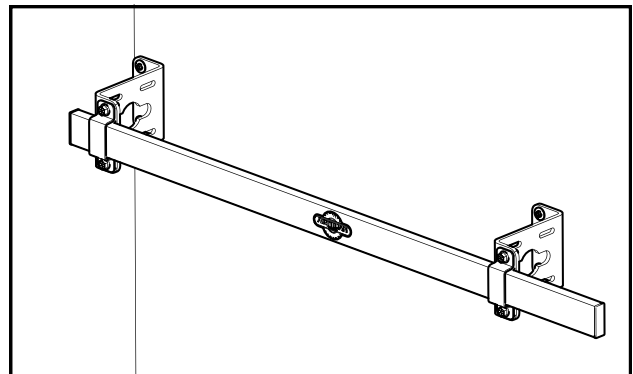


Fig. 2 (Brackets with one stud close to corner)

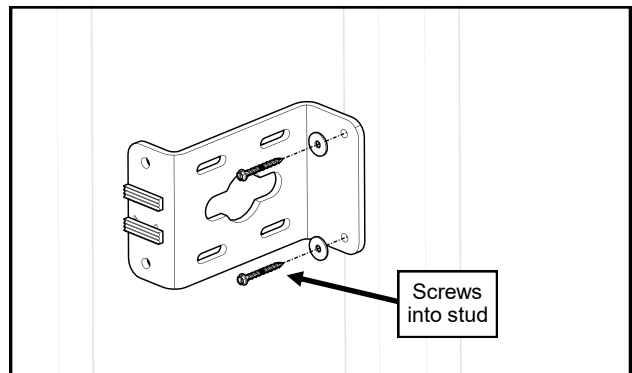


Fig. 3a (Bracket fasteners into wood frame wall)

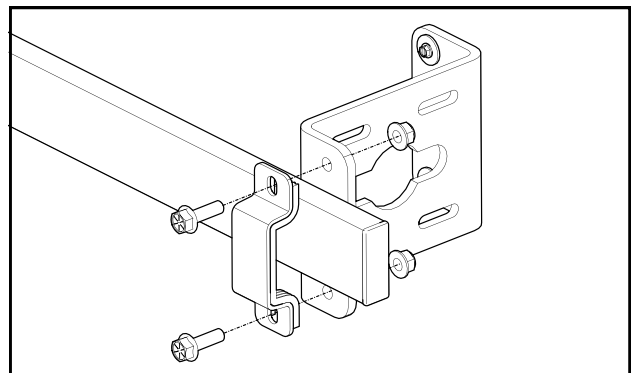


Fig. 4 (Attach tool bar to wall brackets)

KIT INSTALLATION

Attach the brackets to the wall per one of the following methods as appropriate for the type of wall construction:

Wood frame construction (finished or unfinished):

The provided screws will hold securely in wood studs. A pilot hole is not necessary, but use a 5/32" drill bit if desired.

Concrete or solid brick walls:

Use a Hammer drill with a 5/32" masonry bit (INCLUDED) to drill at least 2-1/2" into the wall. Clean the dust out of the pilot holes.

Install the provided screws into the pilot holes (Do not use a hammer drill).

Hollow cinder block walls:

It is recommended to install wood studs onto the block wall to distribute the load. Installing directly onto the block wall may result in failure of the fastener or the block.

If using a 2x4" stud as a strap, use longer 2-3/4" concrete screws (NOT INCLUDED).

Drill 5/32" pilot holes through the stud and the block with a hammer drill and masonry bit.

Metal Frame / Studs:

The provided screws will not hold securely. It is recommended to drill through the center of the metal studs and use a toggle anchor (NOT INCLUDED).

Drill through both the drywall and metal stud with the recommended drill for the anchor (usually 1/2"). Install per the toggle anchor manufacturer's instructions.

Enclosed Trailers:

Trailer walls are typically constructed of thin plywood walls clad in metal or plastic on the outside, and possibly drywall or paneling on the inside. The provided screws will not hold.

1. Install the brackets with nuts and bolts (NOT INCLUDED) through the trailer walls.
OR
2. Install wood studs inside the trailer to hold the brackets. Use the included screws into the newly created studs. 2" studs (actual 1-1/2") are recommended to have enough holding strength.

CAUTION: Make certain that the screws do not protrude through the outside surface of the trailer walls.

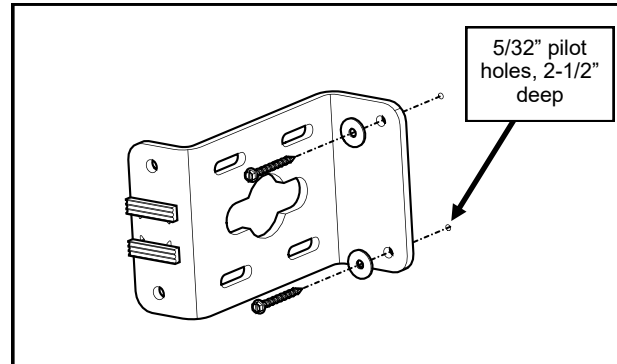


Fig. 3b (Bracket fasteners into concrete wall)

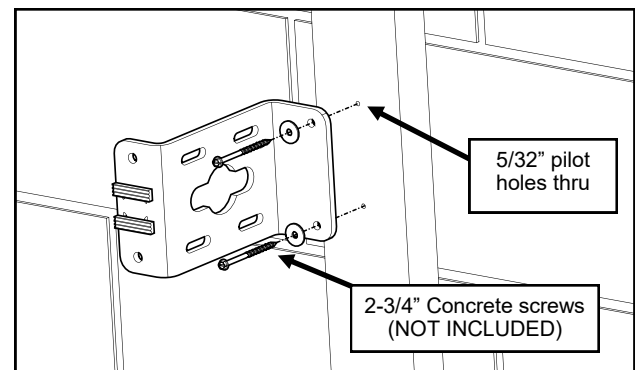


Fig. 3c (Bracket fasteners into cinder block wall)

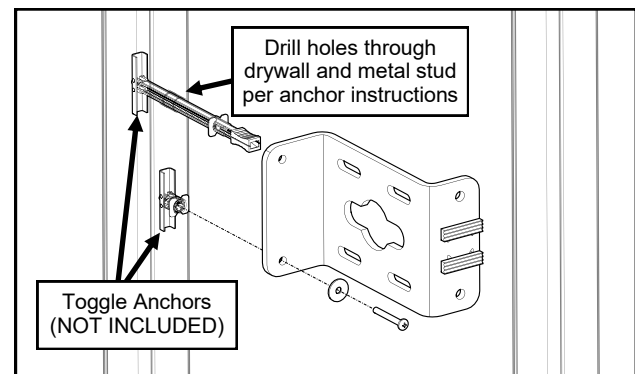


Fig. 3d (Bracket fasteners into metal stud wall)

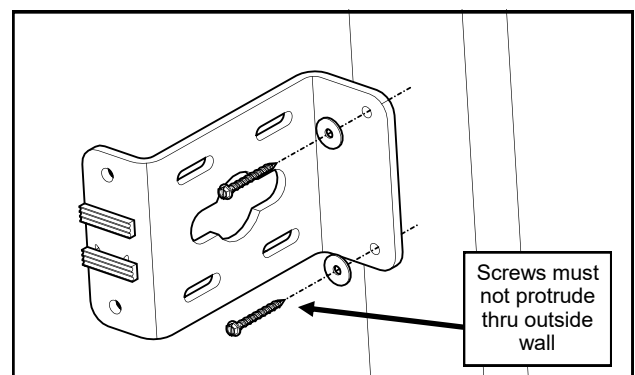


Fig. 3e (Bracket fasteners into enclosed trailer wall)

FEATURES AND OPERATION

FEATURES

The Artillian ROPS Mounted Tool Bar Wall Mount allows for one or more Artillian ROPS Mounted Accessories to be attached to a flat wall. Additional Tool Bars allow for additional accessories.

The innovation of the design is that any of the compatible accessories can be installed or removed from the Tool Bar in seconds, without the use of tools.

One job may require a toolbox filled with various hand tools. Another might necessitate a tool rack holding assorted long-handle yard tools or maybe a chainsaw mount and fuel can holder.

With the effortless installation and removal of each accessory, you won't waste any time setting up your trailer to carry the specific tool required for the job!

ATTACHING ACCESSORIES:

1. Figure 1 shows an example of a toolbox installed on a Tool Bar (shown on a tractor 2-Post ROPS).
2. To install an accessory, have both cam levers rotated UP, then place onto the Tool Bar. See fig. 2.
3. To secure the accessory to the mounting bar, rotate both cam levers DOWN until they cam over. See fig. 3.

NOTE: The accessory can be locked to the Tool Bar by inserting a padlock through the holes in the mounting bracket where shown.

4. To remove an accessory, rotate both cam levers UP and lift the unit off of the Tool Bar.

OPERATION

1. Tool Bar fasteners may loosen up over time due to repeated loading and unloading of accessories. It is recommended that the fasteners are checked and retightened, as required, regularly.
2. Multiple Tool Bars can be added to a wall to allow for more accessories to be attached at a time.

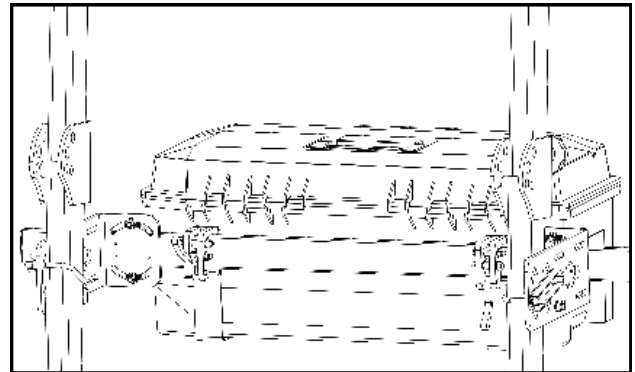


Fig. 1 (example of attaching a tool box)

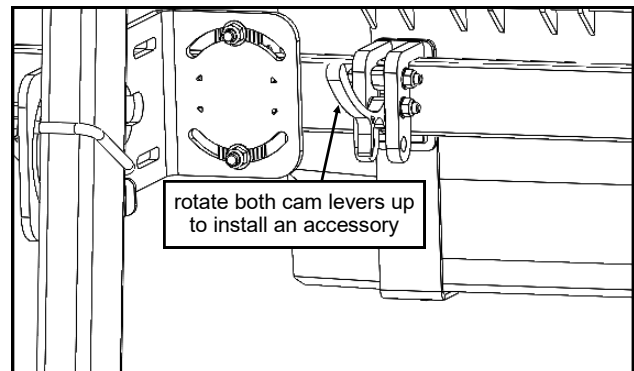


Fig. 2 (cam lever in the open position)

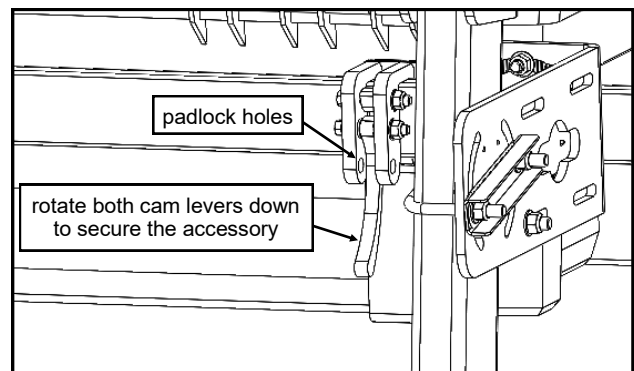


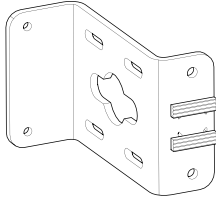
Fig. 3 (cam lever in the closed position)

SERVICE PARTS:

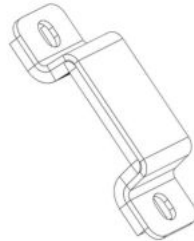
MOUNTING BAR ASSEMBLY
P/N: 8SV-113-00186 (QTY.: ONE)



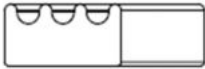
WALL BRACKET ASSEMBLY
P/N: 8SV-110-00079 (QTY.: ONE)



TUBE CLAMP ASSEMBLY
P/N: 8SV-110-00068 (QTY.: ONE)



1/2" V-GROOVE WEATHERSEAL
P/N: 9SV-PR20-10 (QTY.: 10 FEET)



PLASTIC TREE CLIPS
P/N: 9SV-CP01 (QTY.: 12)

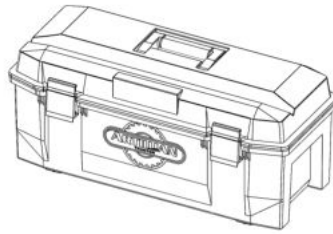


AVAILABLE ACCESSORIES:

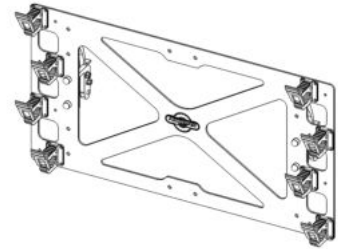
ROPS MOUNTED TOOLBOX, LARGE
P/N: 1RMTBXS



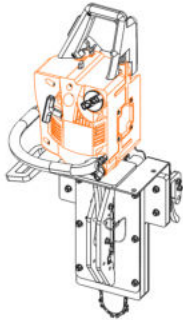
ROPS MOUNTED TOOLBOX, X-LARGE
P/N: 1RMTBXL



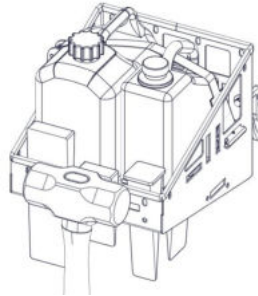
ROPS MOUNTED TOOL RACK
P/N: 1RMTRK



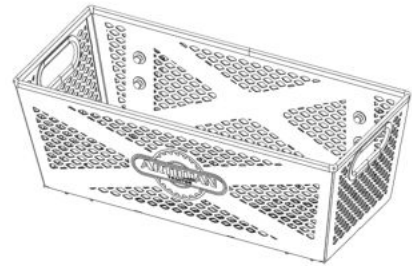
ROPS MOUNTED CHAINSAW MOUNT
P/N: 1RMCSM
(chainsaw shown for illustration purposes)



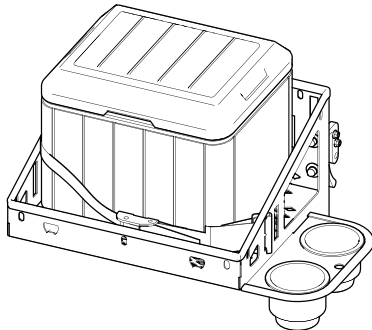
ROPS MOUNTED FUEL CAN HOLDER
P/N: 1RMFCH
(Fuel cans, etc. shown for illustration purposes)



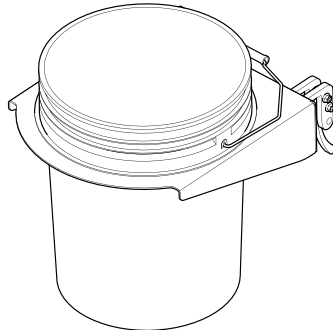
ROPS MOUNTED TOOL BASKET
P/N: 1RMTBSK



ROPS MOUNTED BEVERAGE COOLER
HOLDER - P/N: 1RMBCH
(Cooler shown for illustration purposes)



ROPS MOUNTED 5-GALLON BUCKET
HOLDER - P/N: 1RM5GBH
(Bucket shown for illustration purposes)



MORE ACCESSORIES COMING SOON!