



**John Deere 1 Family**  
**Premium Cab p/n: 1JD1FPR**  
**Standard Cab p/n: 1JD1FST**  
**fits tractor models: 1023E, 1025R, and 1026R**  
**(fits years up thru 2017)**



Premium Cab Shown with Optional Front LED Work Lights.

Available Options:

1. Front LED Work Lights (p/n: 9LEDW4)
2. Rear LED Work Lights (p/n: 9LEDW3)
3. Rear Wiper (p/n: 9PWK65T)
4. Strobe Light (p/n: 9LEDS2)
5. Dome light (p/n: 9LEDD14)
6. Heater (p/n: 9PH20S59)
7. Switch Panel (p/n: 9PSF1)

Note: Front wiper (p/n: 9PWK110) comes standard with premium cab kit only.

APPROXIMATE INSTALLATION TIME: 3 HOURS (Not including accessories)

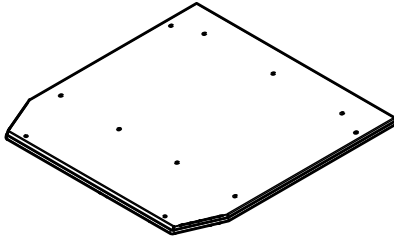
The contents of this envelope are the property of the owner. Leave with the owner when installation is complete.

Rev. H, 08/05/2020

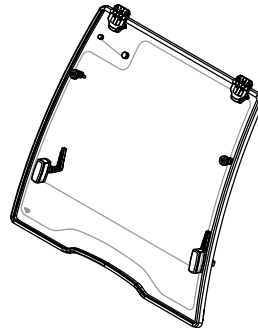
p/n: IM-1JD1FPR

# JOHN DEERE 1 FAMILY PREMIUM & STANDARD CABS (P/N: 1JD1FPR & 1JD1FST)

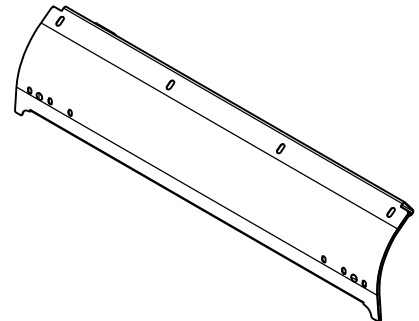
ROOF ASSEMBLY  
P/N:8SV-101-00004



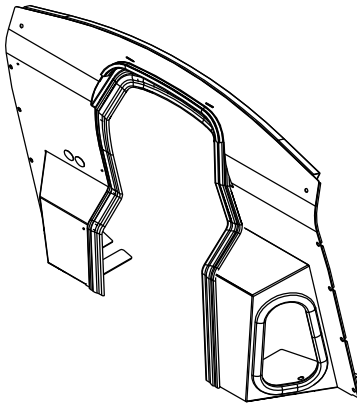
WINDSHIELD ASSEMBLY  
P/N:8SV-BX502



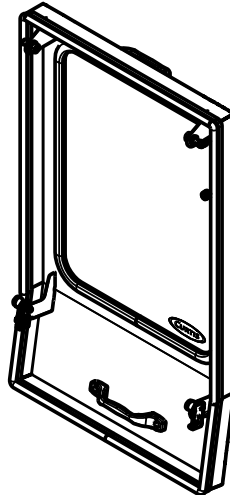
WINDSHIELD SUPPORT ASS'Y  
P/N:8SV-103-00004



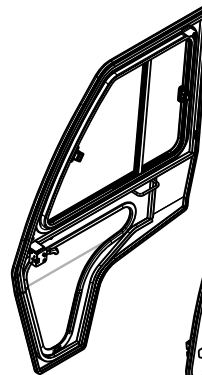
COWL ASSEMBLY  
P/N:8SV-105-00005



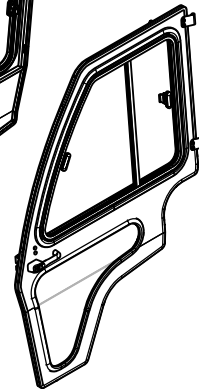
REAR PANEL ASSEMBLY  
P/N:8SV-106-00003



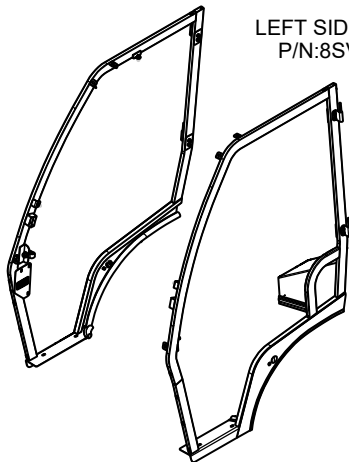
RIGHT DOOR ASSEMBLY  
P/N:8SV-107-00003-R



LEFT DOOR ASSEMBLY  
P/N:8SV-107-00003-L

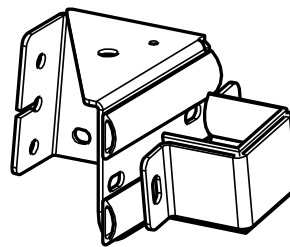


RIGHT SIDEFAME ASS'Y.  
P/N:8SV-109-00001-R

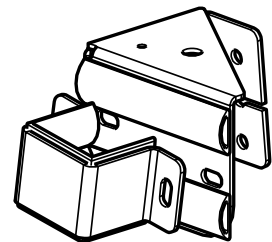


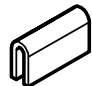


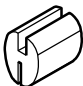

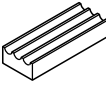


LEFT SIDEFAME ASS'Y.  
P/N:8SV-109-00001-L

ROPS MOUNT W/  
CLAMP, LEFT  
P/N:8SV-JD1RCA-L



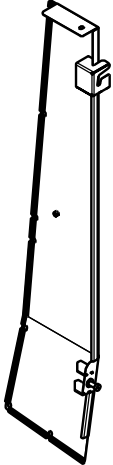
ROPS MOUNT W/  
CLAMP, RIGHT  
P/N:8SV-JD1RCA-L



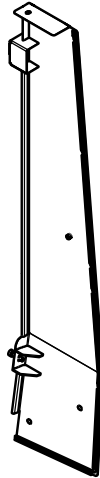
|  |  |  |   |  |   |   |  |
|--|--|--|---|--|---|---|--|
| TRIM-LOK<br><br>9SV-PRO1-20 | 1" FLAT BULB<br><br>9SV-PRU5-10 | ARCH PSA<br><br>9SV-PRO9-10 | WINDOW RUBBER<br><br>9SV-PR10-10 | 1-1/2" DBL SIDE BULB & 1 WIPER<br><br>9SV-PR41-15 | 1/2" V-GROOVE<br><br>9SV-PR20-10 | SIDE BULB, 3/4" OFFSET(1/4")<br><br>9SV-PR26-20 | 5/8" REG. BULB<br><br>9SV-PRU2-15 |
|--|--|--|---|--|---|---|--|

# JOHN DEERE 1 FAMILY PREMIUM & STANDARD CABS (P/N: 1JD1FPR & 1JD1FST)

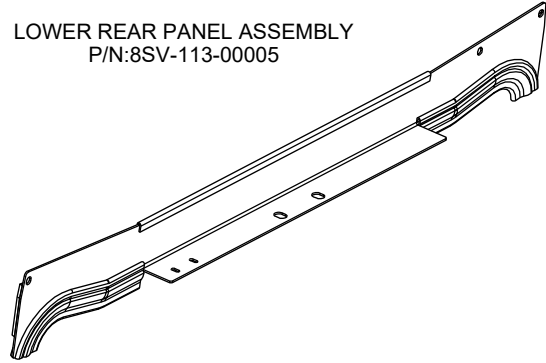
RIGHT REAR LEG ASS'Y.  
P/N:8SV-108-00001-R



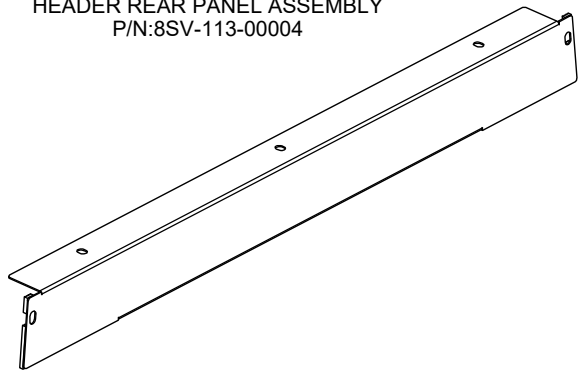
LEFT REAR LEG ASS'Y.  
P/N:8SV-108-00001-L



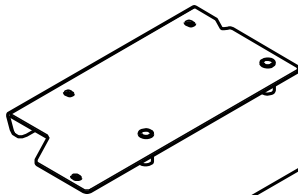
LOWER REAR PANEL ASSEMBLY  
P/N:8SV-113-00005



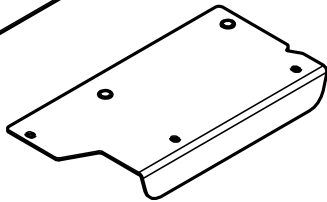
HEADER REAR PANEL ASSEMBLY  
P/N:8SV-113-00004



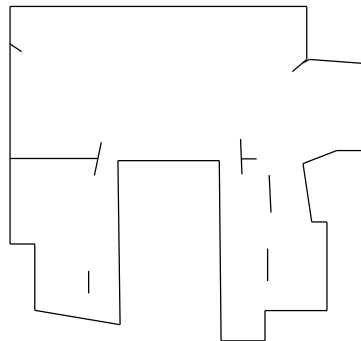
RIGHT FRONT MOUNT  
P/N:8SV-JD110R-B4



LEFT FRONT MOUNT  
P/N:8SV-JD110L-B4



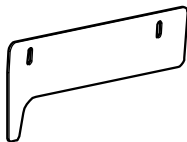
UNDERSEAT FILLER  
P/N:8SV-JD112



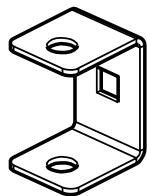
RIGHT LEG FILLER  
P/N:8SV-JD111R-VC



FUEL FILLER SEAL PLATE  
P/N:8SV-JD113-BH



LIGHT BRACKET  
P/N:8SV-SM-00039



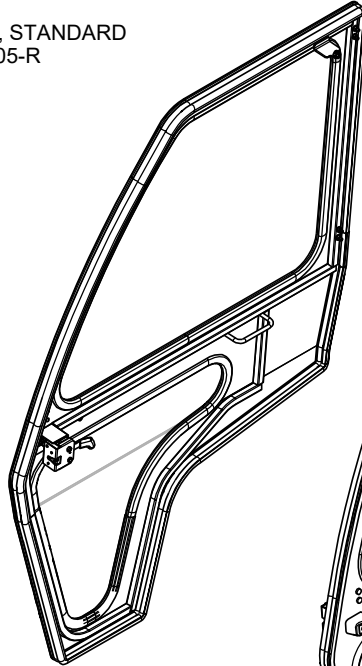
LEFT LEG FILLER  
P/N:8SV-JD111L-VC



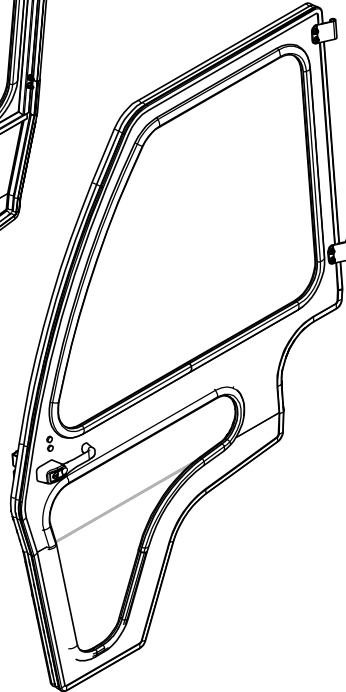
| 1" SIDE BULB | 1" ROUND BULB | 3/4" SIDE BULB |
|--------------|---------------|----------------|
|              |               |                |
| 9SV-PR16-10  | 9SV-PR19-10   | 9SV-PR17-5     |

# JOHN DEERE 1 FAMILY STANDARD CAB (P/N: 1JD1FST)

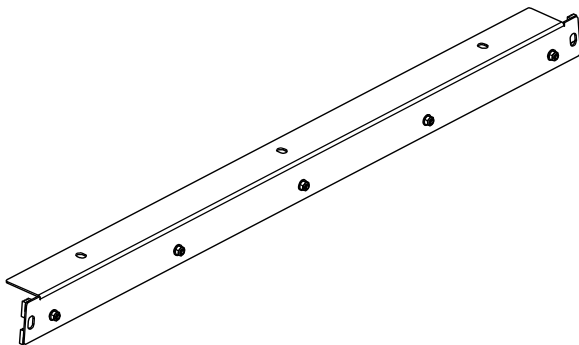
RIGHT DOOR ASSEMBLY, STANDARD  
P/N:8SV-107-00005-R



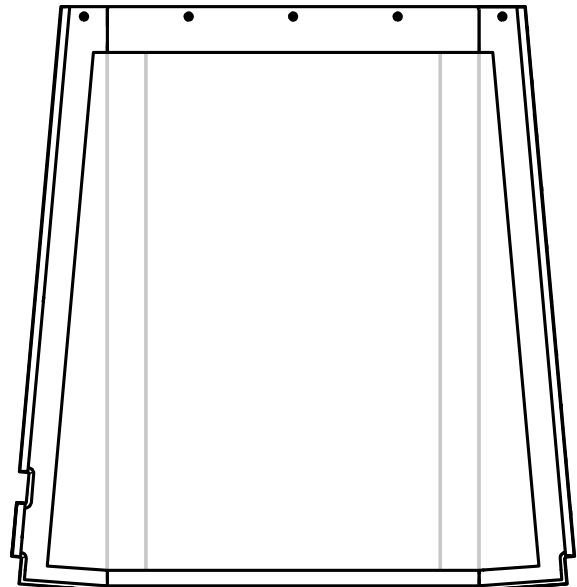
LEFT DOOR ASSEMBLY, STANDARD  
P/N:8SV-107-00005-L



REAR HEADER ASSEMBLY, STANDARD  
P/N:8SV-113-00012



REAR CURTAIN  
P/N:8SV-112-00003





## ADDITIONAL SERVICE PARTS

| QTY. | PART NUMBER:    | DESCRIPTION:  |
|------|-----------------|---|
| 1    | 9SV-RFL         | ROOF LATCH KIT (INCL. L & R) (REAR PANEL)                       |
| 1    | 8SV-9GL-00010   | REAR PANEL, GLASS JD1F, 20.06 X 26.38 X 3/16                    |
| 1    | 9SV-DSTRH       | DOOR STRIKER KIT-INCLUDES CASE HARDENED STRIKER BOLT (SET OF 5) |
| 1    | 9SV-WL2         | WINDSHIELD LATCH KIT 2 - FULLY OPENS W/S                        |
| 1    | 9SV-HWS         | WINDSHIELD HINGE KIT WITH SPACER                                |
| 1    | 9SV-GSM         | GAS SPRING MOUNT (SET OF 2)                                     |
| 1    | 9SV-DP04        | DOMES PLUG 1-1/8" (BAG OF 15)                                   |
| 1    | 8SV-P-00005-L   | WINDOW, DOOR, LOWER, LEFT JD1F, 26.22 X 21.94 (ACRYLIC)         |
| 1    | 8SV-P-00005-R   | WINDOW, DOOR, LOWER, RIGHT JD1F, 26.22 X 21.94 (ACRYLIC)        |
| 1    | 8SV-9SW-00003-L | SLIDING WINDOW, JOHN DEERE 1 FAMILY, LEFT                       |
| 1    | 8SV-9SW-00003-R | SLIDING WINDOW, JOHN DEERE 1 FAMILY, RIGHT                      |
| 1    | 9SV-IHRL        | INSIDE HANDLE ROTARY LATCH KIT (INCL. L & R)                    |
| 1    | 9SV-OHRL        | OUTSIDE HANDLE ROTARY LATCH KIT (SET OF 2)                      |
| 1    | 9SV-GS02A       | BALL STUDS, 10MM (BAG OF 10)                                    |
| 1    | 8SV-SM-00121    | HINGE SPACER, 1/4", TXT BLACK (SET OF 4)                        |
| 1    | 8SV-SM-00122    | LATCH SPACER, 1/4", TXT BLACK (SET OF 2)                        |
| 1    | HWK-00004       | HARDWARE KIT, PREMIUM 1JD1FPR                                   |
| 1    | 9SV-GS02Q       | GAS SPRING - 12" W/QUICK RELEASE END (SET OF 2) (DOORS)         |
| 1    | 9SV-GS07        | GAS SPRING - 200N (SET OF 2) (WINDSHIELD)                       |
| 1    | 9PWM110         | WIPER MOTOR, 110 DEGREE   |
| 1    | 9PWA14-16       | WIPER ARM, ADJUSTABLE LENGTH (11" - 16")                        |
| 1    | 9PWB20-FB       | WIPER BLADE, 20", FLEX  |
| 1    | 9PWK-HB         | GLASS MOUNTING KIT FOR WIPER SYSTEMS                            |
| 1    | 9SV-WH-00004    | WIRING HARNESS, SWITCHED POWER (10 AMPS 2 ACCESSORIES MAX)      |
| 1    | 9SV-WH-00007    | WIRING HARNESS, FENDER LIGHT                                    |
| 1    | 9SV-PWKWIP      | STANDARD WIPER WIRING KIT                                       |
| 1    | 8SV-P-00008     | WINDOW, DOOR, UPPER, JD1F, 36.03 X 28.29 (ACRYLIC)              |
| 1    | 8SV-113-00016   | HOOD LATCH ADAPTER KIT  |