

**John Deere Gator XUV
Factory Cab New Door Set p/n: 1GXUVFCNDS**

The contents of this manual are the property of the owner.
Be sure to leave with the owner when installation is complete.



APPROXIMATE INSTALLATION TIME: 1 hour (not including accessories)

OPTIONS:

- 9LEDW2- Roof Mount 3" x 5" Oval LED Worklight Set
- 9LEDW3- 3" round LED Worklight Set
- 9PH20S30- UTV Heater
- 9LEDS2- Roof Mount LED Strobe Light
- 9LEDD10- Directional LED Swivel Dome Light
- 9PM5- Side View Mirror Kit

BEFORE YOU START:

- Read and understand all instructions before beginning.
- To assist with the door installation, leave all bolts loose for later adjustment unless otherwise specified.

SAFETY INFORMATION:

▲ WARNING: Cabs and general accessories add additional weight to the base vehicle. Deduct the accessory's total weight from the vehicle's rated capacity including driver and passenger. Never operate the vehicle outside of its rated weight capacity.

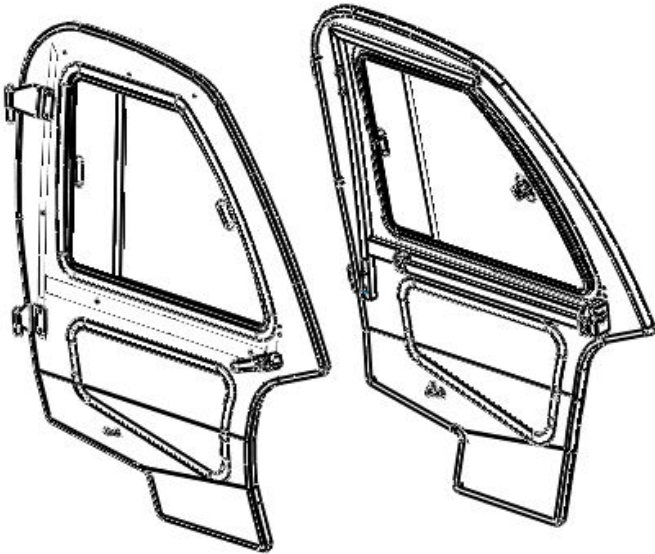
▲ WARNING: Exposure to Carbon Monoxide can cause illness, serious injury or death. Never operate vehicle if suspicious of Carbon Monoxide. Inspect exhaust system for leaks monthly. Leaks can result from loose connections, corrosion, cracks or other damage to the exhaust manifold. If leaks are found, repair or replace exhaust system. Do not use vehicle until repair or replacement is complete.

WARNING: Serious injury or death:

- This door set does not provide protection from flying objects including golf balls.
- This door set does not provide protection from lightning. When lightning threatens, take cover and do not operate vehicle.

PARTS IN THIS KIT:

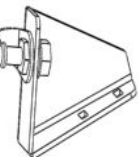
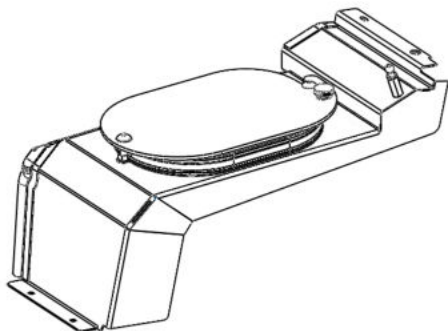
8SV-GFCXV07L-B4
LEFT DOOR, STEEL



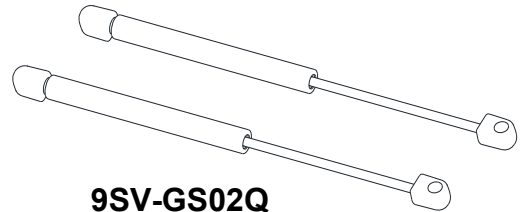
8SV-GFCXV07R-B4
RIGHT DOOR, STEEL

8SV-GFCXV08L-B4
LEFT STRIKER ASSEMBLY

8SV-GFCXV11-B4
FUEL TANK SHROUD ASSEMBLY

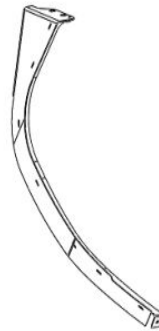


8SV-GFCXV08R-B4
RIGHT STRIKER ASSEMBLY



9SV-GS02Q
GAS SHOCKS
12" with Quick Release Ends
(set of 2)

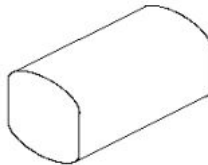
8SV-GFCXV04R-B4
RIGHT FILLER



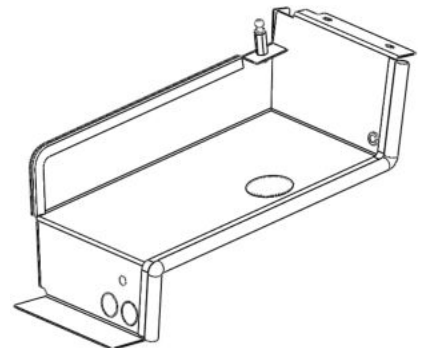
8SV-GFCXV04L-B4
LEFT FILLER



9SV-GFCXVNHWK
HARDWARE KIT



8SV-GFCXV10-B4
AIR INTAKE SHIELD



ADDITIONAL SERVICE PARTS:

- **8SV-GFCXVDHL-B4**..... Hinge Pin Set, top and bottom left
- **8SV-GFCXVDHR-B4**..... Hinge Pin Set, top and bottom right
- **9SV-GS02Q**.. Gas spring, 12" w/Q.R
- **9SV-DL01H-4**..... Keys for Door Handle (2 sets)
- **9SV-DL02** Door Latch kit, non-locking w/ grab handle (set of left/right)
- **8SV-SWGFC2L**..... Sliding Window, Left, with rubber
- **8SV-SWGFC2R**..... Sliding Window, Right, with rubber
- **8SV-GFCXVLW-L**..... Lower Window, Left, with rubber
- **8SV-GFCXVLW-R**..... Lower Window, Right, with rubber
- **9SV-PR38-15**..... 3/4" Side Bulb Rubber, 1/4" grip, 15-Foot Length
- **9SV-PR17-5**... 3/4" Side Bulb Rubber, 1/16" grip, 5-Foot Length
- **9SV-PR02-15**..... 5/8" Bulb Rubber, 1/16" grip, 15-Foot Length
- **9SV-PR16-10**1" Side Bulb Rubber, 1/16" grip, 10-Foot Length
- **9SV-GS02A**.. Ball Studs, 10mm (bag of 10)
- **9SV-DSTR**... Door Striker Pins and Hardware (bag of 5)
- **9SV-GFCXVNHWK**..... Hardware kit
- **9SV-PRO1-10** Standard Trim Lok, 1/8" grip - 10 foot length
- **9SV-PR36-15**..... Rear Sliding Window - 15 foot length
- **9SV-PR39-5**.. Foam Seal, 1" x 1/8" - 5 foot length
- **9SV-PR40-5**.. Expand-a-Foam, 2" - 5 foot length
- **9SV-DP04** Dome Plug, 1-1/8", bag of 15
- **9SV-DP12**..... Dome Plug, 2-1/8", bag of 4
- **9SV-DP10**..... Dome Plug, 3/8", bag of 10
- **9SV-DSTRH**.. Door Striker Kit - includes case hardened striker bolt
- **9SV-IHRL**..... Inside Handle Rotary Latch Kit (includes a left and a right)
- **9SV-OHRL**... Outside Handle Rotary Latch Kit (set of 2)

Tools Required:

- Ratchet with 10mm, 13mm sockets, 13mm deep well, 17mm deep well sockets and 3" extension.
- 10mm, 13mm and 17mm open-end wrenches
- 2 19mm open-end wrenches
- 4mm Allen wrench or hex driver.
- Torx sockets or drivers
- Utility knife
- Clamp
- Hand drill with 1/4" drill bit

Vehicle Preparation

Secure the vehicle to make it stationary

Fully open hood

Fully open windshield

Remove door nets if equipped

A. Attach Foam to Front Fillers

1. Notch out a 1/4" wide and a 1/2" long section of the 2" foam seal to create the tab as shown. (FIGURE 2)
2. Peel off the protective strip on the adhesive side of the foam.
3. Place the foam at inside corner of the filler as shown. Make it contour to the full radius of the filler. (FIGURE 3)
4. Align foam slightly proud to bottom edge of the filler and cut it square. (FIGURE 4)
5. Repeat procedure for other filler.

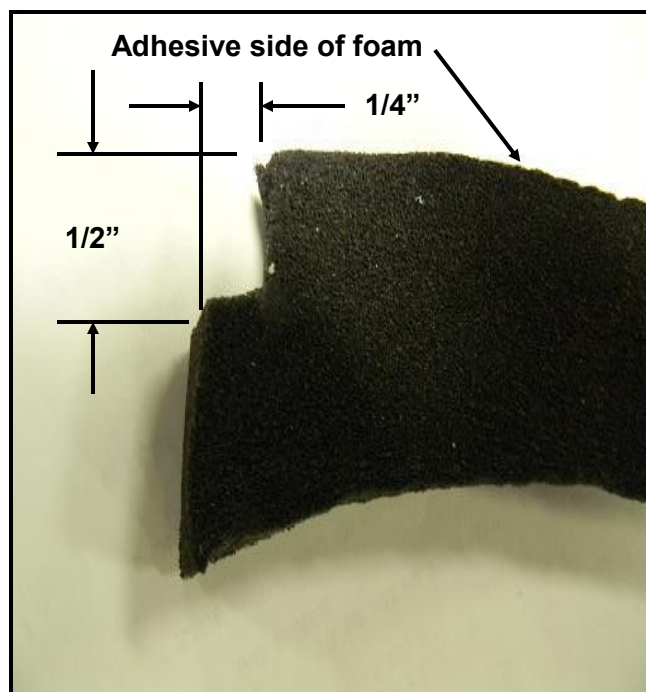


Figure 1:

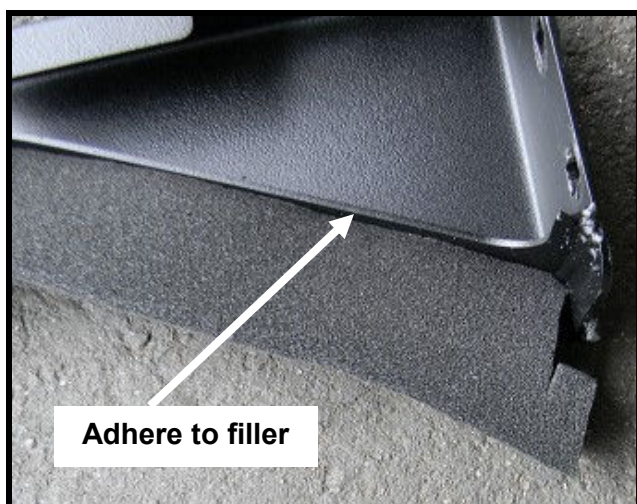


Figure 2:



Figure 3:

B. Install Front Fillers

1. Align filler to vehicle fender shown (FIGURE 4)
2. Using hardware listed below fasten left and right front fillers to windshield post as shown. (FIGURE 5)

Qty.	Hardware
2/side	M8 x 25mm carriage bolts
2/side	8mm fender washers
2/side	M8 nylon locking nuts

3. Compress the filler against fender. See dimensions in (FIGURE 4). Per figure 6, with mounting tab (A) positioned against raised edge (B) of deck, use the bottom hole in the filler (C) as a template and drill a 1/4" dia. hole as shown through the deck. De-burr hole as required.

4. Using hardware listed below Install front fillers to the vehicle floor pan as shown in FIGURE 7.

Qty.	Hardware
1/side	M6x25mm button head bolt
1/side	6mm flat washer
1/side	6mm fender washer
1/side	M6 nylon locking nut

5. When fully fastened, filler should fit tightly around the fender making a seal. (See FIGURE 4)



Figure 4:



Figure 5:

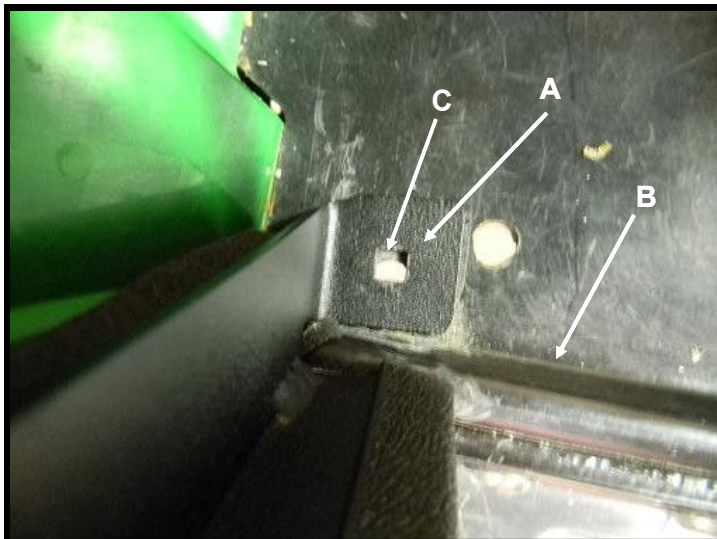


Figure 6:



Figure 7:

C. Install Striker Assemblies

1. Attach striker assemblies to filler as shown with hardware listed below. (**FIGURE 8** and **8a**)

<u>Qty.</u>	<u>Hardware</u>
2/side	M6x20mm carriage bolts
2/side	6mm flat washers
2/side	M6 nylon locking nuts

D. Install Fuel Shroud Assembly

1. If equipped with bucket seats tilt both seats forward.
If equipped with a bench seat remove seat base.
2. Remove locknut, bolt and seat belt assembly bracket from right side canopy flange. (**FIGURE 9**)
3. Per **FIGURE 10**, position the back of the fuel shroud above the canopy flange, holding the outboard edge up and the front edge rotated out so that the filler will tuck under the metal corner of the driver's side seat base. Per **FIGURE 11** (next page) rotate the front of the shroud in and the outboard edge down to get into final position.

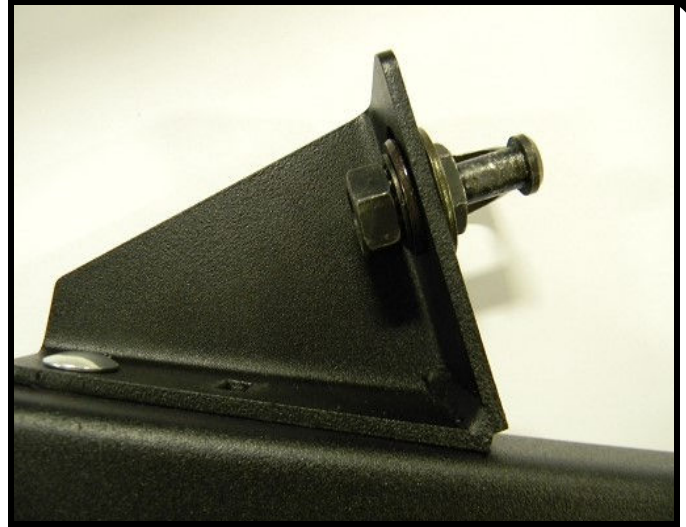


Figure 8:

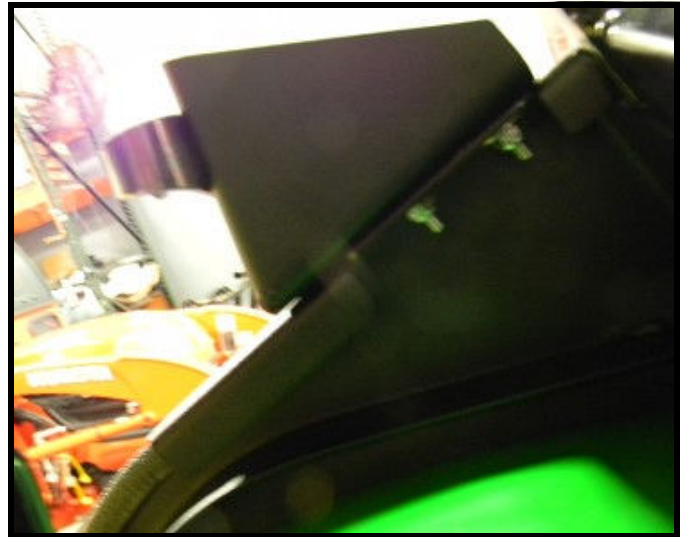


Figure 8a:

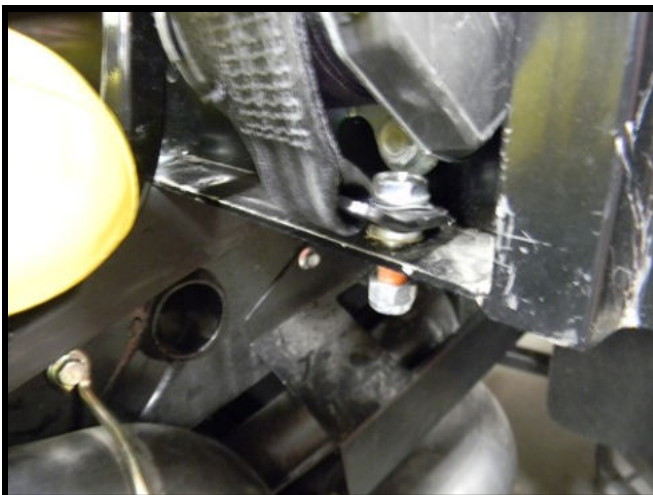


Figure 9:



Figure 10:

D. Install Fuel Shroud Assembly (cont.)

4. Per figure 12, attach the back of the fuel shroud to the canopy flange with the hardware listed below.

<u>Qty.</u>	<u>Hardware</u>
1	M6x20mm hex head bolt
2	6mm flat washers
1	M6 nylon locking nut

5. Install seatbelt assembly bracket through the fuel shroud assembly and canopy flange with hardware removed in step D 2. **Tighten to 90 ft/lbs.**

6. Using the two mounting holes in the front flange of the fuel shroud assembly as a template, mark and drill two 1/4" holes through the deck. Deburr holes as required. **(FIGURE 12)**

7. Per **FIGURE 13**, drill two 1/4" holes in the vehicle floor pan using the holes in the fuel filler front flange as a guide. Install the front of the fuel shroud to the vehicle floor pan using the hardware listed below with the bolt and flat washer on top and remaining hardware underneath.

<u>Qty.</u>	<u>Hardware</u>
2	M6x25mm button head bolts
2	6mm flat washers
2	6mm fender washers
2	M6 nylon locking nuts



Figure 11:

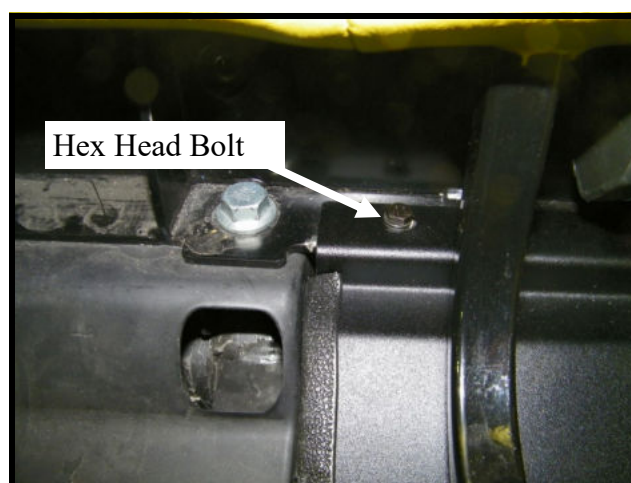


Figure 12:



Figure 13:

E. Install Intake Shield

1. If equipped, disconnect windshield washer reservoir and remove mounting bracket, retaining the hardware.
2. If equipped, remove threaded air filter restrictor indicator from air cleaner.
3. Position intake shield assembly under air cleaner, then tilt shield assembly up and align rear flange of shield assembly on top of the canopy flange.

(FIGURE 14)

4. Per FIGURE 15, attach the air intake shield to the canopy frame flange using the hardware listed below.

Qty. Hardware

2	M6x20mm hex head bolts
4	6mm flat washers
2	M6 nylon locking nuts

5. Using the two mounting holes in the front flange of the air intake shield as a template, mark and drill two 1/4" holes through the floor pan. De-burr holes as required. Per FIGURE 16, attach air intake shield with hardware listed below.

Qty.

Hardware

2	M6x25mm button head bolts
2	6mm flat washers
2	6mm fender washers
2	M6 nylon locking nuts

7. If vehicle is equipped with an air filter restriction indicator remove large plastic plug from air intake shield and reinstall the indicator.
8. If canopy electrical kit is installed, position cable behind closeout panel and route through sealing rubber on panel adjacent to hole with grommet. If windshield washer kit is installed, hose will have to be routed through grommet in panel.

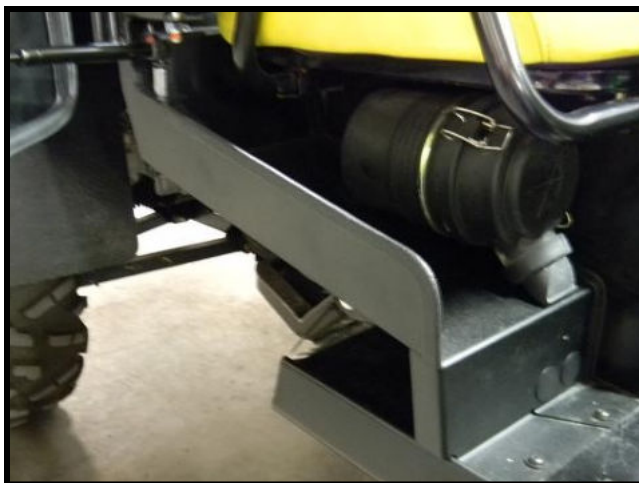


Figure 14:

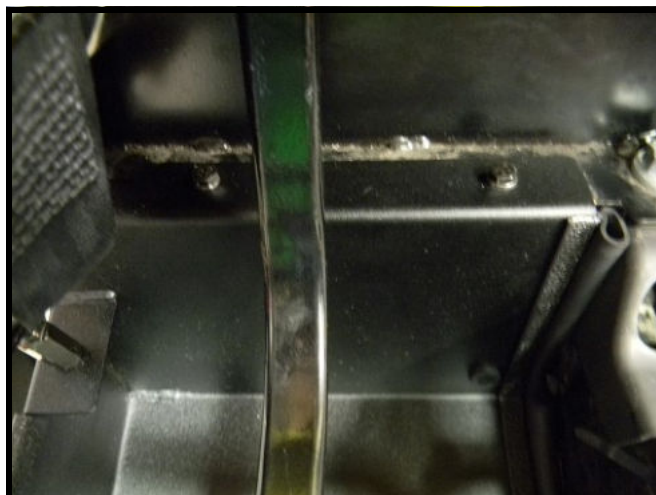


Figure 15:



Figure 16:

DOOR INSTALLATION:

1. With assistance hold the door perpendicular to the vehicle, lower the door hinge pins into the hinge sleeves on the vehicle. **(Figure 17 and 17a.)** **NOTE: Loosen the bolts on the hinge pins on the door if the pins do not slide easily and fully into the sleeves.**
2. Gently close the door, lifting on the door handle if necessary, to allow the latch to lock around the striker pin.
Lift door up or down to align with vehicle.
Clamp door closed. **(Figure 18)**
Adjust striker mount and pin to attain tight seal, with 2 clicks of the latch. Tighten striker hardware.
3. If hinge hardware was loosened in step 1 have an assistant sit inside the vehicle, and tighten the (4) 5/16-18 hinge screws and nuts. **Note: See Door Troubleshooting section on page 10 for information about adjusting the door latches and hinges.**
4. Open each door and install the Gas Shock onto the Ball Studs on air intake assembly and fuel shroud assembly. The cylinder end must be attached to the frame as shown to ensure seals stay lubricated. **(Figure 19 and 19A).**

Discard any extra hardware that may have been provided.

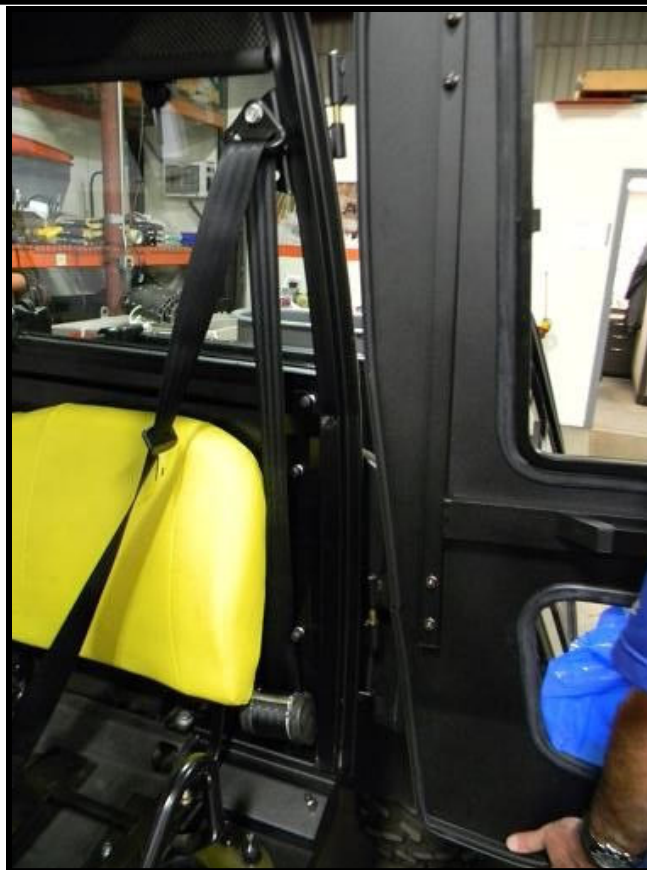


Figure 17



Figure 17a



Figure 18



Figure 19

ATTACH GAS SHOCK
CYLINDER END TO FRAME



Figure 19A

DOOR TROUBLESHOOTING

Condition	Possible Solution
<ul style="list-style-type: none"> Door latch and striker pin don't line up vertically 	<ul style="list-style-type: none"> Loosen striker pin and move up or down. Use (2) 3/4" wrenches to adjust striker pin.
<ul style="list-style-type: none"> Door latch and striker pin don't line up horizontally 	<ul style="list-style-type: none"> Loosen striker mount screws. Move striker mount forward or backward.
<ul style="list-style-type: none"> Door is not aligned to vehicle 	<ul style="list-style-type: none"> Loosen door hinges. With the door unlatched, lift up (or lower down) on the door handle until the door is aligned with the vehicle. Have an assistant sit inside the vehicle and determine the new height required for the striker pin. Have the assistant adjust the height of the striker pin. Re-latch the door and tighten all fasteners.
<ul style="list-style-type: none"> Door latch is unable to be double-latched (2 clicks have not been heard) 	<ul style="list-style-type: none"> Loosen striker mounts Move striker mount in and out

CARE AND MAINTENANCE

Check and tighten all hardware after 20 hours of operation. Periodically inspect and tighten hardware for the remainder of the unit's service life. Keep the enclosure components clean in order to prevent dust and dirt from forming an unattractive film. The life of your cab components depend upon following these care procedures:

- NEVER USE** AN ABRASIVE DETERGENT / VEHICLE CLEANER OR A WIRE BRISTLED BRUSH. Do not use any **CITRUS BASED CLEANERS** such as orange or lemon.
- NEVER USE** AN ALCOHOL-BASED PRODUCT FOR CLEANING PLASTIC LOWER WINDOWS. Do not use **WINDEX, GLASS PLUS, FANTASTIC**, etc. Use of these products will result in deterioration of the plastic windows.
- Clean the enclosure surfaces thoroughly with warm soapy water and a COTTON cloth or chamois. Be sure to use mild soap, specifically a dish liquid or equivalent. Clean in a light circular motion for best results.
- Use EXTRA CAUTION when cleaning the interior of the enclosure. The interior is more sensitive than the exterior.
- Remove grease and oil with mineral spirits and a COTTON cloth or chamois.