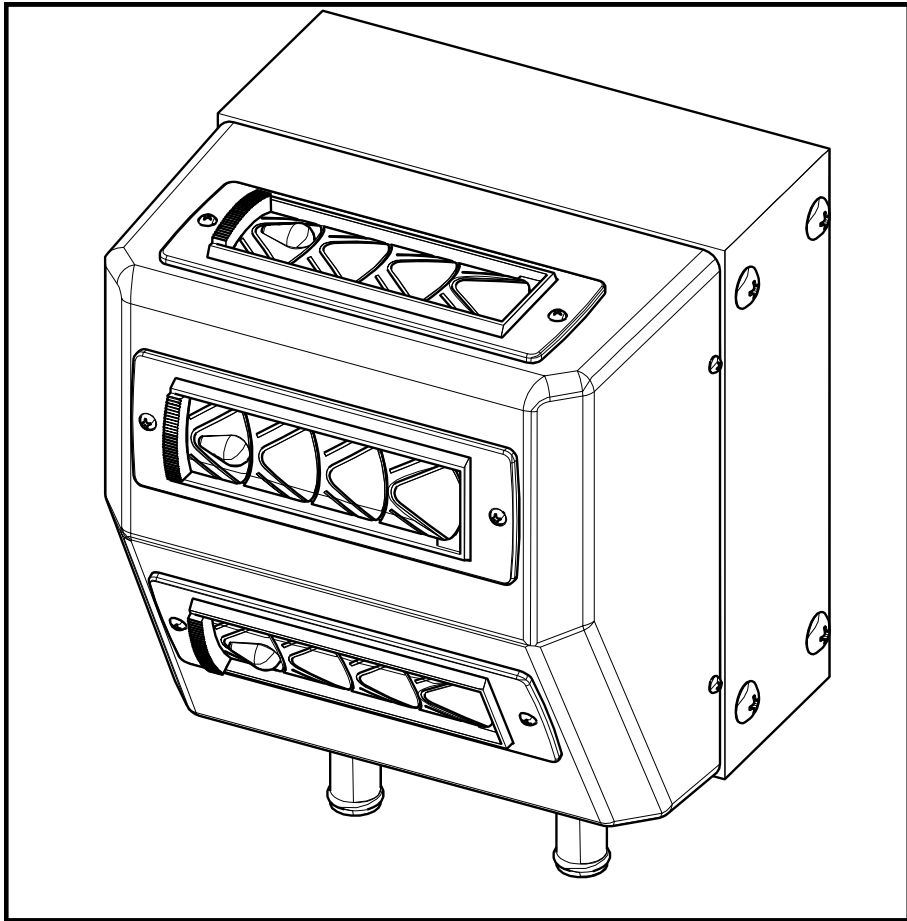




**KUBOTA B01
HEATER KIT
P/N: 9PH20S62
FITS B2301, B2401, B2601**



Approximate Installation Time

Experienced Dealer Technician – 2 Hours

Average Dealer Technician – 3 Hours

Do-It-Yourself – 4 Hours

The contents of this envelope are the property of the owner.
Be sure to leave with the owner when installation is complete.

(09/27/2021)

STEP 1: HEATER INSTALLATION:

- 1.1 Remove plugs (if equipped) from heater inlet and outlet tubes.
- 1.2 The location for the heater unit is on the right unitized side frame for B2301 or B2601. The heater must be mounted on the left side frame for B2401 due to placement of the throttle lever. Remove (3) of the 1/4" screws found on the side of the heater unit. Next, install the heater to the heater bracket using (3) 1/4" thumb screws provided in the heater kit. (SEE FIG. 1.2)
- 1.3 **B2301 or B2601:** Using the large hole found on the floorboard mount as guides, cut the vehicle's rubber mat through the hole and through the large opening in the mount, just below the large hole. Install a plastic bushing from the heater kit into the hole in the cab floorboard mount by pushing into the holes from the inside of the cab. (SEE FIG. 2.3a)
- 1.4 **B2401:** Remove the two large dome plugs from the left side of the cowl and install plastic bushings into both holes from the inside of the cab.

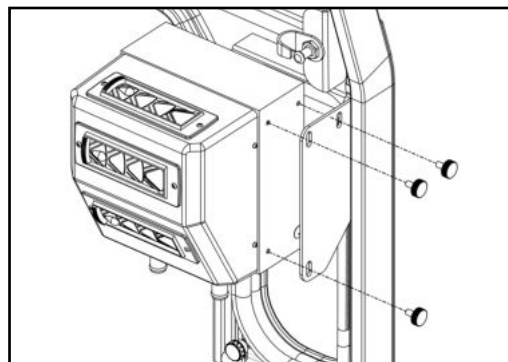


FIGURE 1.2



FIGURE 2.2

***** CAUTION *** To avoid injury caused by hot engine coolant, make sure the engine is completely cooled down before beginning installation of auxiliary heater.**

- 2.1 Open hood and drain the cooling system.
- 2.2 The supply line to the heater varies depending on the engine in the particular tractor. If possible, remove the plug located below the thermostat to install the nipple provided. If there is no plug, then you will need to drill out the blank port below the thermostat housing using a 9/16" drill bit and tap it for 3/8" NPT (national pipe thread) to install the nipple. Once the hole is drilled and tapped, install the nipple. (SEE FIG. 2.2)

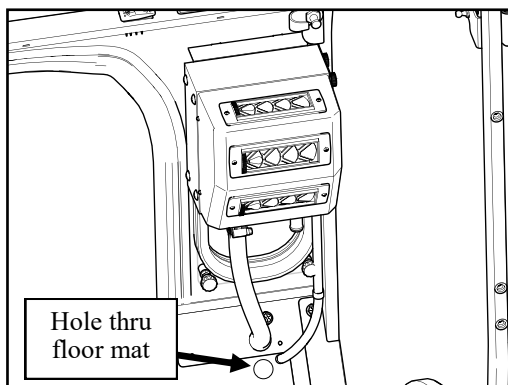


FIGURE 2.3a (B2301 or B2601)

*****CAUTION*** Remove the thermostat before drilling hole.**

- 2.3 Re-install the thermostat if you had to remove it for drilling. Feed heater hose through plastic bushing. Connect to heater inlet with 1" hose clamp. This is now the heater supply hose. Route the hose through engine compartment to nipple. Cut to length, install to nipple with 1" hose clamp. (SEE FIG. 2.3a or 2.3b)

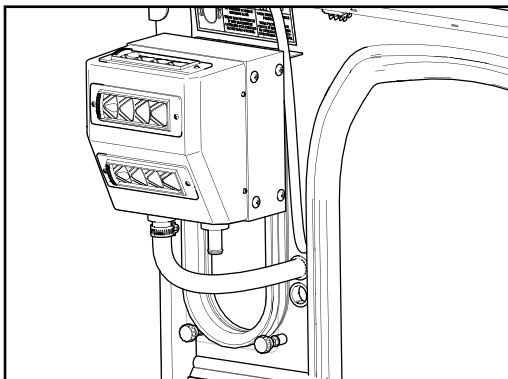


FIGURE 2.3b (B2401)

STEP 2: HEATER PLUMBING: (continued)

- 2.4** Splice into the heater supply line and install the in-line shut-off valve with 1" hose clamps. **(SEE FIG 2.4.)** Note: The in-line shut-off valve quickly converts the heater into a summertime blower by preventing hot water from flowing to the heater core.
- 2.5** For the return line from the heater, cut the lower radiator hose in the location shown and install the enclosed T-fitting with 1.5" hose clamps provided. **(SEE FIG. 2.5)**

Hint: Removing the tail pipe may make installation of the T-fitting easier. Be sure the "T" is orientated so that it will clear the pipe when reinstalled.

- 2.6** Feed the remaining supplied hose through the remaining hole in the floor mat (B2301 or B2601) or the remaining plastic bushings in the cowl of the cab (B2401) and connect to the heater with a small hose clamp. **(SEE FIG. 2.6a or 2.6b)**
- 2.7** Run the heater hose to the T-fitting installed in Step 2.5. Check hose routing making sure it is not kinked or rubbing against any sharp edges or hot exhaust components. Also make sure the hoses will not interfere with installing the engine side covers. Secure hoses as necessary with large wire ties provided.
- 2.8** Refill the cooling system making sure to back fill all heater hoses. Bleed all air from the cooling system. The system will not operate correctly with air present in lines. Start the tractor and inspect system for leaks.



FIGURE 2.4

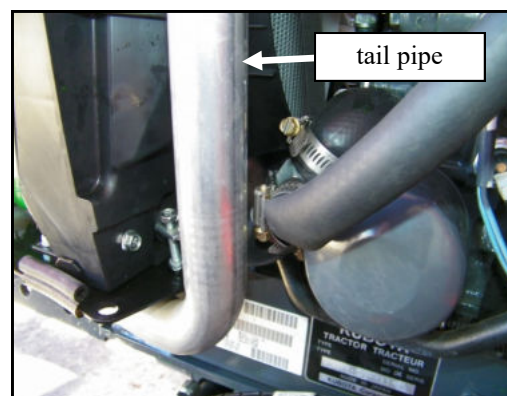


FIGURE 2.5

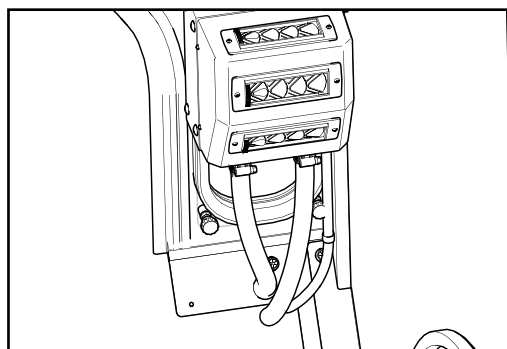


FIGURE 2.6a (B2301 or B2601)

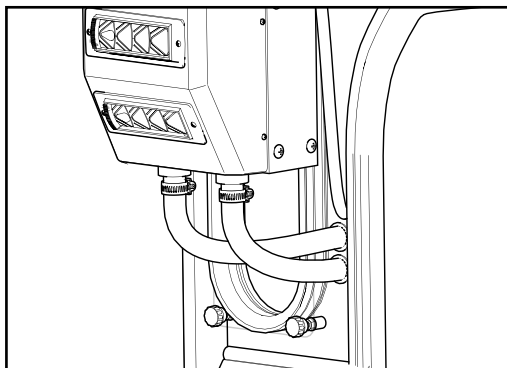
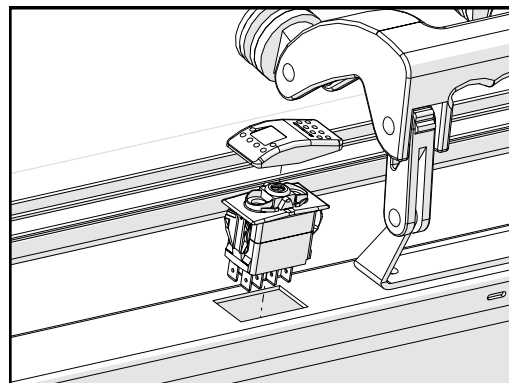
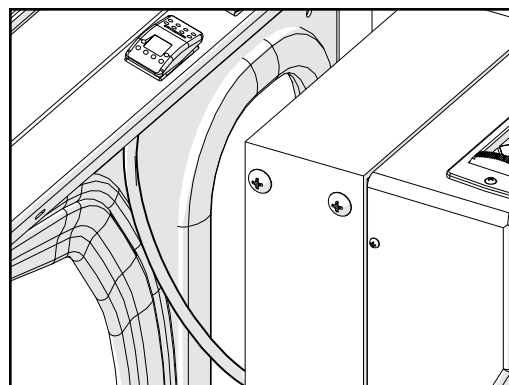


FIGURE 2.6b (B2401)

STEP 3: ELECTRICAL CONNECTIONS:

- 3.1** Remove the rectangular plug from the cowl, from the side the heater is mounted to. Per **figure 3.1**, attach red switch cover with light pointed toward center of the vehicle and put switch through the hole.
- 3.2** Per **figure 3.2**, connect the wire harness to switch. Matching colors, connect two wires from the harness to the terminals on the cab power harness located on cowl.
- 3.3** Connect wire harness to heater, connect the red wire from the heater to the yellow wire on the harness and match the remaining wire colors. Coil extra wire behind heater and wire tie.

**FIGURE 3.1****FIGURE 3.2****STEP 4: FINISHING TOUCHES**

- 4.1** Start the engine and check heater hoses and make sure they get warm. If not, remove the heater from its mount and let hang from hoses as low as possible. If the heater and hoses still do not get warm, temporarily put a clamp on the upper radiator hose to force coolant through the heater. **Warning: To avoid engine damage, remove the clamp as soon as heater gets warm.** Reattach heater to the bracket.

HEATER SERVICE PARTS

QTY.	DESCRIPTION	P/N
1	20,000 BTU HEATER	8SV-9PH20WG
1	HEATER MANUAL	IM-9PH20S62
1	HEATER SWITCH	9SV-OHC6
1	HEATER SWITCH COVER	9SV-9PCD1B
1	HEATER WIRE KIT	9SV-KX9HTRWH1
20'	HEATER HOSE	9SV-HRH61-20
6	1" HOSE CLAMPS	9SV-9HR00601.0
2	1.5" HOSE CLAMPS	9SV-9HR00601.5
2	3/8" NPT NIPPLE	9SV-9HR0045
1	1" TEE FITTING	9SV-HR0042
2	IN-LINE SHUT-OFF VALVE	9SV-UHTRILV
2	THICK PANEL SNAP BUSHINGS	9SV-9HR04