



CANOPY & WINDSHIELD FOR GATOR T SERIES UTV'S



Perfect for any riding condition!



John Deere Gator Canopy & (PN: 1CT2A)
Folding Windshield (PN: 1WS1A)

Canopy and Folding Windshield Fits TS, TX and TE models

CURTIS PREMIUM FEATURES

High-density polyethylene canopy

Rear canopy support mounts directly to existing Gator chassis bracket

13" wide front reinforcing channel

Impact modified acrylic windshield folds and secures with mounting clips

CURTIS QUALITY ACCESSORIES

3X5" OVAL ROOF MOUNT LED WORK LIGHTS

Fully adjustable tilt & swivel mount lets you adjust light to where you need it most.



STROBE LIGHT WITH MAGNETIC BASE

Magnetic Amber LED strobe light mounts to metal roofs. 360 degree low-profile strobe with Lexan lens.



FAST-CAST 300 SPREADER



- 3.0 Cubic Feet/180 Lb. Capacity
- 4-20 Ft. Spreading Width
- For Rock Salt

FAST-CAST 400 SPREADER



- 3.0 Cubic Feet/180 Lb. Capacity
- 4-20 Ft. Spreading Width
- For Light Rock Salt, Fertilizers & Fine Material

FAST-CAST 2000 SPREADER



- 5.0 Cubic Feet/350 Lb. Capacity
- 4-40 Ft. Spreading Width
- For Rock Salt



CANOPY & FOLDING WINDSHIELD FOR GATOR T SERIES UTV'S

High-Density Polyethylene Canopy

Tough & Lightweight Protection from the Elements

Rear Canopy Support Mounts Directly to Existing Gator Chassis Bracket

Impact Modified Acrylic Windshield
Folds Down & Secures

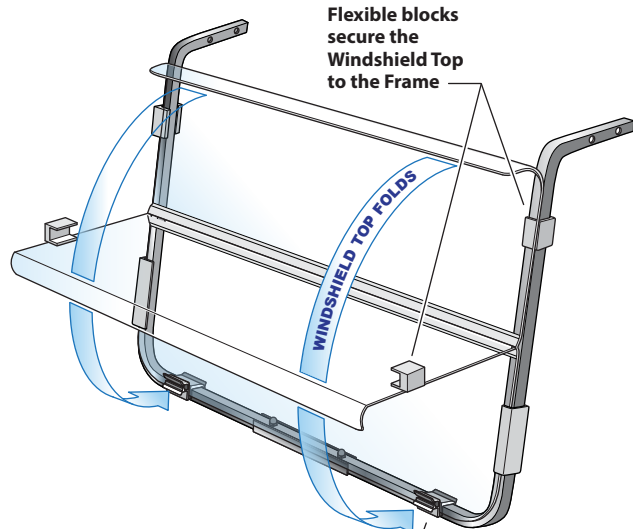
13" Wide Front Reinforcing
Channel Adds Strength



**Canopy does not fit the John Deere TH model*

Enhancing our Customers' Comfort and Productivity Every Day  More Innovation. More Value.

CURTIS FOLDING WINDSHIELD FEATURE



Flexible blocks
secure the
Windshield Top
to the Frame

WINDSHIELD TOP FOLDS

Windshield Top secures
in the Locking Clips for
safe open air driving

SUN OR NOT CURTIS CANOPIES HAVE YOU COVERED

*Fold the Windshield Top down
& secure for open air driving*



AUTHORIZED DEALER

(PN: 1CT2A & 1WS1A)

JDCAWS 01 (3/19)

JOHN DEERE IS A REGISTERED TRADEMARK OF JOHN DEERE CORPORATION. CURTIS INDUSTRIES, LLC AND ITS PRODUCTS ARE NOT ENDORSED BY OR AFFILIATED WITH JOHN DEERE CORPORATION.

70 Hartwell Street | West Boylston, MA | 01583 | 508-853-2200 | www.CurtisCab.com