



Kubota M62 TLB Cab p/n: 1KTLBM62

While this cab kit was designed to fit on the vehicle(s) listed above, manufacturing tolerances and vehicle assembly may affect cab fitment. It is the responsibility of the cab installer to check all vehicle pedals and levers for full functionality and, as required, adjust the cab fitment to prevent any interference of the cab components with the travel of pedals or levers.



M62 Cab Shown

Available Options:

1. Rear Closeout Panel for Operation When Backhoe is Removed (P/N: 1KTLBM62RP)
2. Optional Rear Hydraulics Closeout panel for tractors with optional rear remote hydraulics installed (P/N: 1KTLBM62HYD)
3. Front or rear round LED Work Lights (fits both L47 and M62) (P/N: 1KTLBLEDWL) (not shown)

Approximate Installation Time *
Experienced Dealer Technician – 6-8 Hours
Average Dealer Technician – 8-10 Hours
Do-It-Yourself – 10-14 Hours

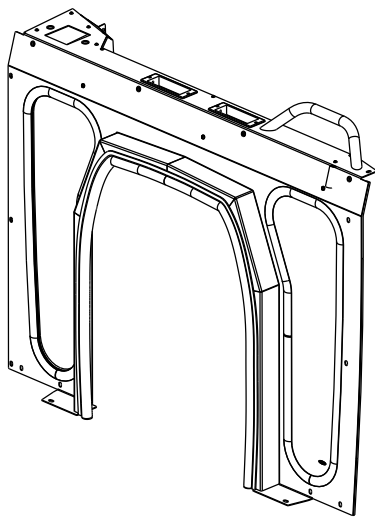
Approximate Product Specifications
Fits Under the Factory Roof
Weight: M62: 586 lbs.
Cab Width: M62: 61-1/2" (3-1/2" wider than right fender)

(*=Not including accessories)

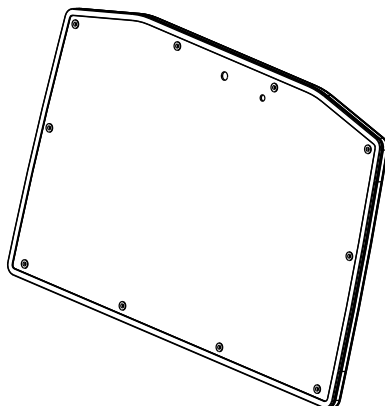
The contents of this envelope are the property of the owner. Leave with the owner when installation is complete.

M62 SERVICE PARTS BREAKDOWN

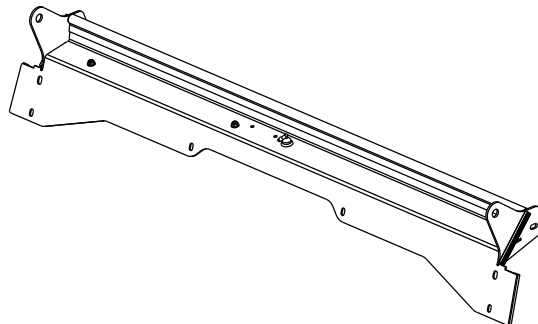
COWL ASSEMBLY
P/N: 8SV-KM62-05



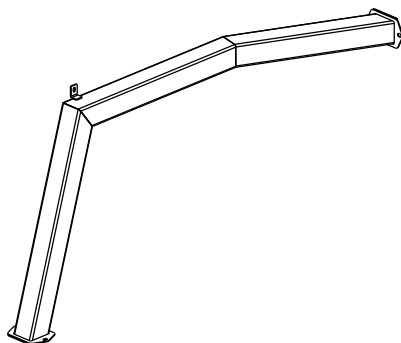
WINDSHIELD ASSEMBLY
P/N: 8SV-KM62-02



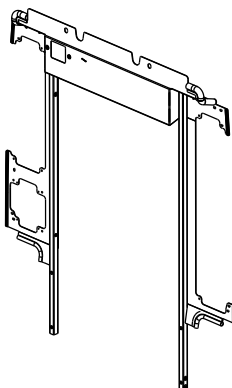
WINDSHIELD SUPPORT ASSEMBLY
P/N: 8SV-KM62-17



HEATER REAR DUCT
P/N: 8SV-KM62-22



REAR PANEL ASSEMBLY
P/N: 8SV-KM62-06



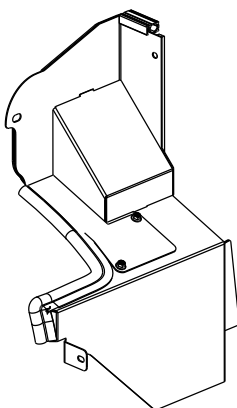
REAR PANEL WINDOW, UPPER, RIGHT
P/N: 8SV-K6247-21B



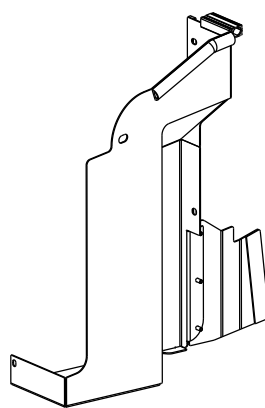
REAR PANEL WINDOW, LEFT
P/N: 8SV-K6247-21A



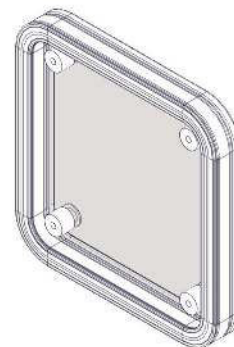
LOWER REAR FILLER, RIGHT
P/N: 8SV-KM62-29R



LOWER REAR FILLER, LEFT
P/N: 8SV-KM62-29L

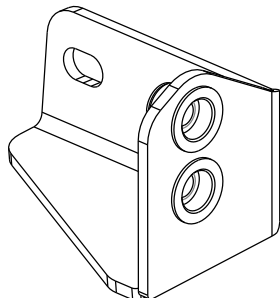


REAR PANEL WINDOW, LOWER, RIGHT
P/N: 8SV-K6247-21C

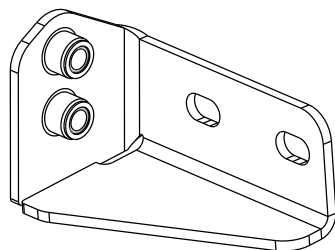


M62 SERVICE PARTS BREAKDOWN

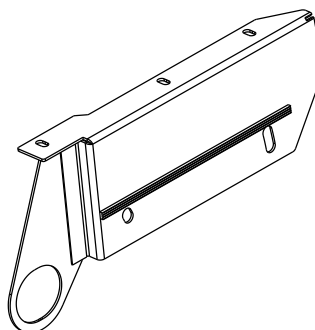
UPPER REAR MOUNT, RIGHT
P/N: 8SV-KM62-18R



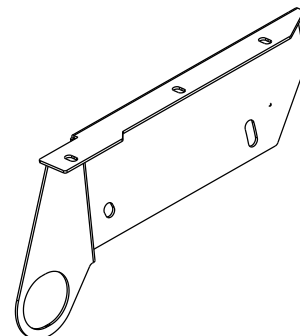
UPPER REAR MOUNT, LEFT
P/N: 8SV-KM62-18L



BACKHOE FOOTER, RIGHT
P/N: 8SV-KM62BCFT-R



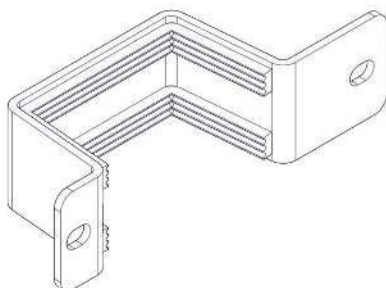
BACKHOE FOOTER, LEFT
P/N: 8SV-KM62BCFT-L



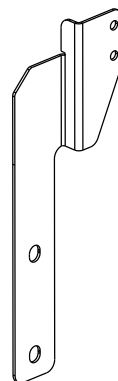
HAND SCREW ASSEMBLY
P/N: 8SV-K6247-HSA



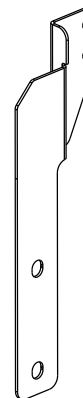
ROPS CLAMP BRKT
P/N: 8SV-K6247-21



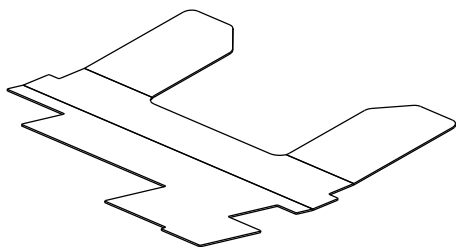
REAR PANEL, LOWER ROPS BRKT, RIGHT
P/N: 8SV-KM62BHRB-R



REAR PANEL, LOWER ROPS BRKT, LEFT
P/N: 8SV-KM62BHRB-L



FLOORMAT
P/N: 8SV-9FR-KM62FLM

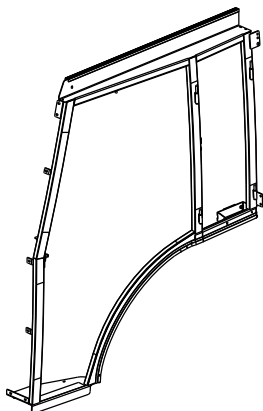


BACKHOE CAB
P/N: 8SV-K6247BC

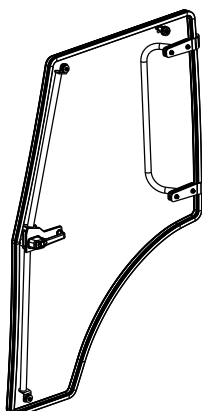


M62 SERVICE PARTS BREAKDOWN

SIDEFRAME, LEFT
P/N: 8SV-KM62-09L



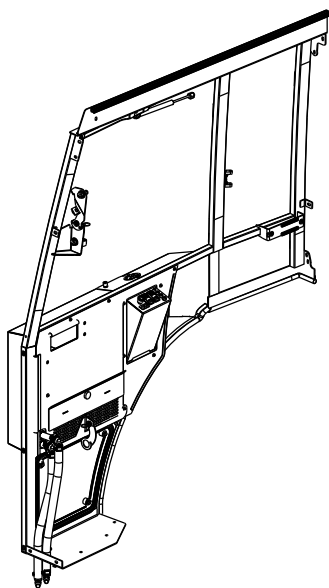
DOOR ASSEMBLY,
LEFT
P/N: 8SV-KM62-07L



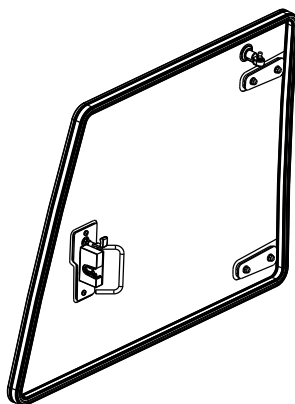
SIDE WINDOW
ASSEMBLY, LEFT
P/N: 8SV-K6247-12L



SIDEFRAME, RIGHT
P/N: 8SV-KM62-09R



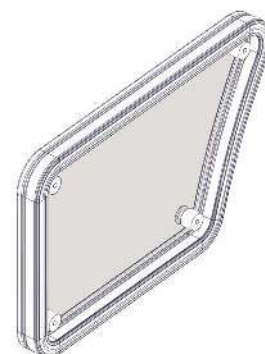
DOOR ASSEMBLY,
RIGHT
P/N: 8SV-KM62-07R



SIDE WINDOW
ASSEMBLY, RIGHT
P/N: 8SV-K6247-12R




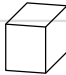

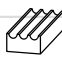





BOTTOM SIDEFRAME
WINDOW, RIGHT
P/N: 8SV-KM62-30



M62 SERVICE PARTS BREAKDOWN

ADDITIONAL SERVICE PARTS		
PART NUMBER:	QTY/KIT:	DESCRIPTION:
9SV-9HR0092	1	LOUVER VENT, 4" ROUND (UNDERSIDE OF COWL)
9SV-9HR-L	1	LOUVER VENT, RECTANGULAR (TOP OF COWL, REAR PANEL)
8SV-GL9X28	1	COWL WINDOW AND MOUNTING RUBBER
8SV-K6247BCW03L	1	BACKHOE CAB WINDOW, UPPER LEFT SIDE
8SV-K6247BCW03R	1	BACKHOE CAB WINDOW, UPPER RIGHT SIDE
8SV-K6247BCW04L	1	BACKHOE CAB WINDOW, LOWER LEFT SIDE
8SV-K6247BCW04R	1	BACKHOE CAB WINDOW, LOWER RIGHT SIDE
8SV-K6247BCW02	1	BACKHOE CAB REAR WINDSHIELD
8SV-9SW-18X29	1	BACKHOE CAB SLIDING WINDOW
9SV-9DL-196	1	DECAL, TLB CRUSH WARNING
9PM3	1	INTERIOR REAR VIEW MIRROR
9SV-9HR0093	1	R3/8 HEATER NIPPLE
9SV-9HR0094	1	90 DEGREE HEATER FITTING (SUPPLY)
9SV-PWA 1418DHW	1	WIPER ARM, WET, J-HOOK (FRONT WINDOW)
9SV-9PWB20FBJH	1	WIPER BLADE, 20" FLEX BLADE, J-HOOK (FRONT WINDOW)
9PWM110	1	WIPER MOTOR, 110 DEGREE SWEEP (FRONT WINDOW)
9PWM852	1	85 DEGREE WIPER MOTOR (REAR WINDOW)
9PWA 14/16	1	WIPER ARM 14"-16" (REAR WINDOW)
9PWK-HB	1	GLASS MOUNT KIT FOR WIPER MOTORS (FRONT OR REAR WINDOW)
9PWB20-FB	1	WIPER BLADE, 20", FLEX (REAR WINDOW)
9SV-K6247-WHDE	1	WIRE HARNESS, DIRECTIONALS
9SV-KF2-RWH	1	WIRE HARNESS, POWER, WITH FUSE AND RELAY
9SV-KM62-HWK	1	HARDWARE KIT
9SV-OHRL-G	1	OUTSIDE DOOR HANDLE (GLASS DOORS)
9SV-IHRL	1	INSIDE DOOR LATCH, LEFT DOOR
9SV-DL06S	1	INSIDE DOOR LATCH, RIGHT DOOR
9SV-WL1	1	POP-OUT LATCH (SIDEFRAME SIDE WINDOWS, BACKHOE REAR WINDSHIELD)
9PHW010-W	1	BRASS HINGE WASHERS
9SV-GS04Q	1	GAS SPRING, DOOR, 14-7/16 LONG, 17LB, QUICK RELEASE END
8SV-9HR0037	1	BLOWER MOTOR
9SV-9PH33-5/8	1	HEATER CORE
9SV-OHC-22	1	WASHER SWITCH
9SV-OHC-6	1	BLOWER SWITCH
9SV-HVC	1	HEATER VALVE CONTROLLER
9SV-9HR0046	1	HEATER VALVE KNOB
9SV-9HR0034	1	HEATER CONTROL CABLE
9SV-9HR0036	1	HEATER VALVE, 5/8" HOSE BARBS
9SV-APBR	1	CIRCUIT BREAKER, 5 AMP, PUSH RESET
9SV-APBR15	1	CIRCUIT BREAKER, 15 AMP, PUSH RESET
9SV-9HR0096	1	AIR FILTER
9SV-DL07	1	WASHER DOOR LATCH
9SV-9PWW2	1	WASHER BOTTLE AND PUMP, 1/2 GALLON
9SV-9HR0039	1	HOSE FITTING, 90 DEGREE ELBOW, 5/8" BARBS, PLASTIC

TRIM LOK, STD, 1/16" - 1/8" GRIP	3/4" SIDE BULB, 1/4" GRIP	1" ROUND BULB, 1/16" GRIP	EXPAND-A-FOAM 1/4 X 3/4"	WINDOW RUBBER	1/2" WEATHER SEAL	ARCH PSA	5/8" STD BULB, 1/16" GRIP	3/4" SIDE BULB, 1/16" GRIP
								
9SV-PRO1-20	9SV-PR38-15	9SV-PR19-10	9SV-PR43-15	9SV-PR10-20	9SV-PR20-10	9SV-PRO9-10	9SV-PRO2-15	9SV-PR17-20