



**Kubota BX70-1 Series Cab
(fits BX2370-1 & BX2670-1)
(p/n: 1KBX70-1AS Steel Cab)
(p/n: 1KBX70-1SS Vinyl Cab)**

The contents of this envelope are the property of the owner.
Be sure to leave with the owner when installation is complete.

APPROXIMATE INSTALLATION TIME: 4 HOURS
(excluding accessories)



Steel Cab Shown

Standard equipment: Front Windshield Wiper.

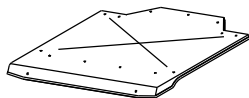
Options available:

- Interior Rear View Mirror (not shown) (p/n: 9PM3)
- 3" x 5" Oval LED Front Work lights (p/n: 9LEDW2)
- Heater (p/n: 9PH20S18) (18 and 23 hp engines)
- Heater (p/n: 9PH20S40) (26 hp engine)
- LED Strobe Light (p/n: 9LEDS2)
- Exterior Side View Mirrors (not shown) (9PM5)
- Fuse Block Switch Panel (not shown) (9PSF1)
- 40 Degree Rear Wiper (16" Blade) (p/n: 9PWK4016F)
- Front Plow/Blade (not shown) (1KBXFELB)

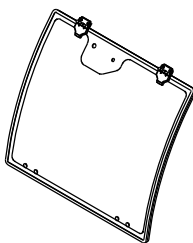
Rev. A
09/17/2014

Kubota BX70-1 Series Hard Sided Cab (p/n: 1KBX70-1AS)

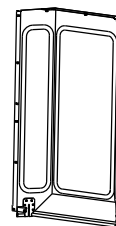
ROOF	QTY.	P/N
KUBOTA ORANGE	1	8SV-BX70101-O3



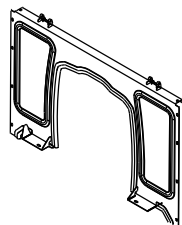
WINDSHIELD	QTY.	P/N
	1	8SV-CI02



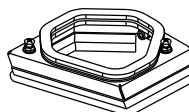
REAR PANEL	QTY.	P/N
KUBOTA ORANGE	1	8SV-BX70106-O3



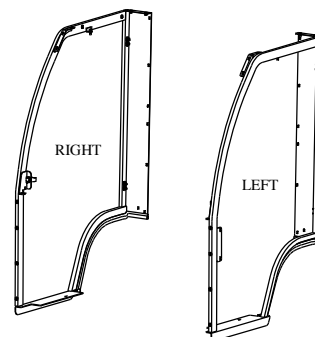
COWL	QTY.	P/N
KUBOTA ORANGE	1	8SV-BX7004-O3



FUEL CAP SHROUD	QTY.	P/N
DARK KUBOTA GRAY	1	8SV-BX7012-G3



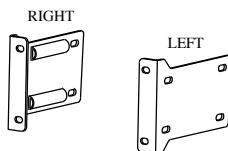
SIDE FRAMES	QTY.	P/N
DARK KUBOTA GRAY	1L	8SV-BX7019L-G3
	1R	8SV-BX7019R-G3



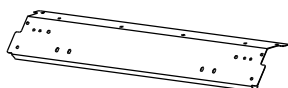
FUEL CAP COVER	QTY.	P/N
KUBOTA ORANGE	1	8SV-BX7013-O3



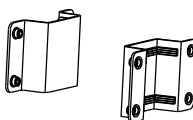
ROPS BRACKET	QTY.	P/N
DARK KUBOTA GRAY	1L & 1R	8SV-BX70110-G3



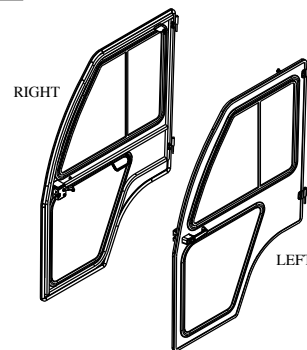
WINDSHIELD SUPPORT	QTY.	P/N
DARK KUBOTA GRAY	1	8SV-BX70103-G3



ROPS MOUNT BRACKET	QTY.	P/N
DARK KUBOTA GRAY	2	8SV-BX70111-G3



HARD SIDED DOORS	QTY.	P/N
KUBOTA ORANGE	1L	8SV-BX70AS7L-O3
	1R	8SV-BX70AS7R-O3



ADDITIONAL SERVICE PARTS

QTY.:	P/N:	DESCRIPTION:
1	8SV-GL15x36	REAR PANEL CENTER WINDOW
1	8SV-GL4X36	REAR PANEL SIDE WINDOW
1	8SV-PGBX70C	COWL WINDOW
1	8SV-SWCCVL	LEFT DOOR SLIDER WITH RUBBER
1	8SV-SWCCVR	RIGHT DOOR SLIDER WITH RUBBER
1	8SV-BX70LDW	LOWER DOOR WINDOW WITH RUBBER
1	BX701-HWK	HARDWARE KIT (CAB)
1	9SV-GS02Q	QUICK RELEASE GAS SHOCK
1	9SV-DHRL	OUTSIDE HANDLE ROTARY LATCH KIT
1	9SV-IHRL	INSIDE HANDLE ROTARY LATCH KIT
1	9SV-HSLP	DOOR HINGE KIT
1	9SV-HWS	WINDSHIELD HINGE KIT
1	9SV-WL2	WINDSHIELD LATCH KIT 2
1	9PWM110	WINDSHIELD WIPER MOTOR 110°
1	9PW20-FB	WIPER BLADE 20" - FLEX
1	8SV-BX7015-VC	AIR INTAKE COVER (BLACK VINYL)

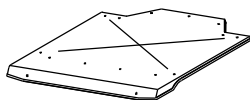
RUBBER TYPES:		WINDOW RUBBER
TRIM-LDK 9SV-PR01-20	ARCH PSA 9SV-PR09-10	1/2" WEATHER SEAL 9SV-PR20-10
3/4" SIDE BULB W/ 1/16" GRIP 9SV-PR17-20	5/8" ROUND BULB 9SV-PR02-15	3/4" SIDE BULB W/ 1/4" GRIP 9SV-PR38-15

LOWER REAR MOUNTS	QTY.	P/N
DARK KUBOTA GRAY	1L	8SV-BX70112L-G3
	1R	8SV-BX70112R-G3

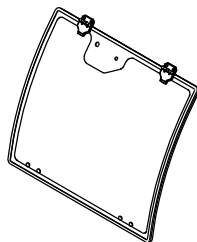


Kubota BX70-1 Series Soft Sided Cab (p/n: 1KBX70-1SS)

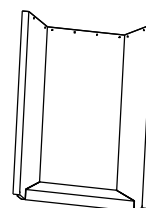
ROOF	QTY.	P/N
KUBOTA ORANGE	1	8SV-BX70101-O3



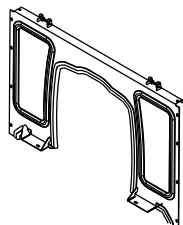
WINDSHIELD	QTY.	P/N
	1	8SV-CI02



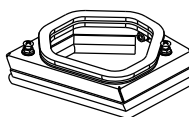
REAR CURTAIN	QTY.	P/N
	1	8SV-BX70106-VC



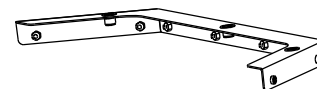
COWL	QTY.	P/N:
KUBOTA ORANGE	1	8SV-BX7004-O3



FUEL CAP SHROUD	QTY.	P/N
DARK KUBOTA GRAY	1	8SV-BX7012-G3



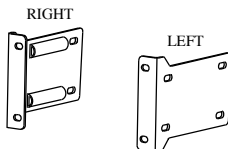
REAR CURTAIN TOP MOUNT	QTY.	P/N
DARK KUBOTA GRAY	1	8SV-BX70113-G3



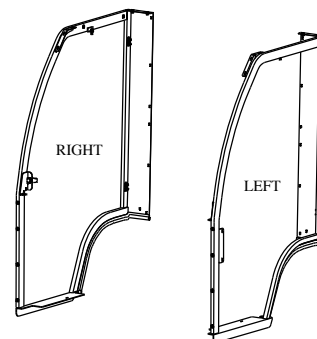
FUEL CAP COVER	QTY.	P/N
KUBOTA ORANGE	1	8SV-BX7013-O3



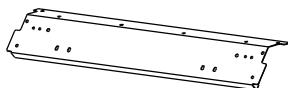
ROPS BRACKET	QTY.	P/N
DARK KUBOTA GRAY	1L & 1R	8SV-BX70110-G3



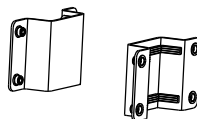
SIDE FRAMES	QTY.	P/N
DARK KUBOTA GRAY	1L	8SV-BX7019L-G3
	1R	8SV-BX7019R-G3



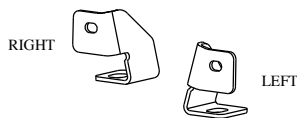
WINDSHIELD SUPPORT	QTY.	P/N
DARK KUBOTA GRAY	1	8SV-BX70103-G3



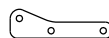
ROPS MOUNT BRACKET	QTY.	P/N
DARK KUBOTA GRAY	2	8SV-BX70111-G3



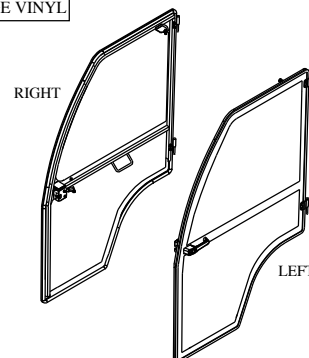
LOWER REAR MOUNTS	QTY.	P/N
DARK KUBOTA GRAY	1L	8SV-BX70112L-G3
	1R	8SV-BX70112R-G3



FUEL SHROUD TAB	QTY.	P/N
DARK KUBOTA GRAY	1	8SV-BX70114-G3



SOFT SIDED DOORS	QTY.	P/N
DARK KUBOTA GRAY AND ORANGE VINYL	1L	8SV-BX70SS7L-VK
	1R	8SV-BX70SS7R-VK



ADDITIONAL SERVICE PARTS

QTY.	P/N:	DESCRIPTION:
1	8SV-PGBX70C	COWL WINDOW
1	BX701-HWK	HARDWARE KIT (CAB)
1	9SV-GS02Q	QUICK RELEASE GAS SHOCK
1	9SV-0HRL	OUTSIDE HANDLE ROTARY LATCH KIT
1	9SV-0HRL	OUTSIDE HANDLE ROTARY LATCH KIT
1	9SV-IHRL	INSIDE HANDLE ROTARY LATCH KIT
1	9SV-HSLP	DOOR HINGE KIT
1	9SV-HWS	WINDSHIELD HINGE KIT
1	9SV-WL2	WINDSHIELD LATCH KIT 2
1	9PWM110	WINDSHIELD WIPER MOTOR 110°
1	9PWB20-FB	WIPER BLADE 20" - FLEX
1	8SV-BX7015-VC	AIR INTAKE COVER (BLACK VINYL)

RUBBER TYPES:		WINDOW RUBBER
		9SV-PR10-10
TRIM-LOK 9SV-PR01-20	ARCH PSA 9SV-PR09-10	1/2" WEATHER SEAL 9SV-PR20-10
3/4" SIDE BULB W/ 1/16" GRIP 9SV-PR17-20	5/8" ROUND BULB 9SV-PR02-15	3/4" SIDE BULB W/ 1/4" GRIP 9SV-PR38-15