



INSTALLATION & OWNER'S MANUAL

**CURTIS INSTALLATION INSTRUCTIONS**  
**JOHN DEERE 2320/2520/2720**  
**HARD SIDED CURTIS ENCLOSURE (p/n: 1JD2520 S)**  
**SOFT SIDED CURTIS ENCLOSURE (p/n: 1JD2520SS)**

The contents of this envelope are the property of the owner.  
 Be sure to leave with the owner when installation is complete.



Note: soft sided cab shown on model 2320 with optional work lights and optional strobe light.

**WARNING** This Curtis Cab is designed and manufactured for use only as reasonable weather protection. This cab is not applicable. Nor should the cab be considered as protection against roll over, collision or other accidents that may result. This cab is **NOT** a R.O.P.S. cab. Extreme care should be taken when operating it as directed by qualified, experienced operators only.

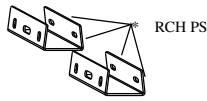
**WARNING** Exposure to Carbon Monoxide can Cause illness, serious injury or death. Never operate vehicle if suspicious of Carbon Monoxide. Inspect exhaust system for leaks monthly. Leaks can result from loose connections, corrosion, cracks or other damage to the exhaust manifold. If leaks are found, repair or replace exhaust system. Do not use vehicle until repair or replacement is complete.

**NOTICE**  
 CURTIS WEIGHT  
 Curtis Cabs, blades and general accessories add additional weight to the base vehicle. All Curtis accessory weights are listed in product brochures. Deduct the accessories total weight from the vehicles rated capacity and never exceed the vehicles rated capacity including driver and passenger.

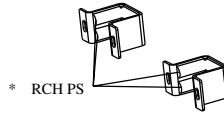
**CURTIS/BLADES/SPREADERS/ACCESSORIES**

**J.D. 2320/2520/2720 H RD ND SOFT SIDED C B P RTS LIST (p/n 1JD2520 S and 1JD2520SS)**

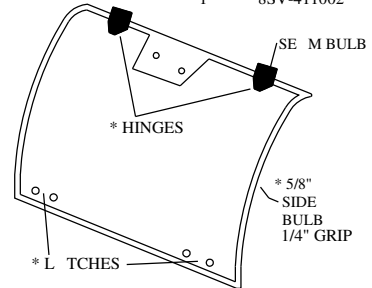
**ROLL B R BR C-  
KET MOUNTS** QTY. P/N  
(COLOR: T-BL CK) 2 8SV-252018-B4



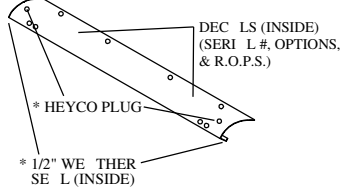
**ROLL B R  
BR CKETS** QTY. P/N  
(COLOR: T-BL CK) 2 8SV-252017-B4



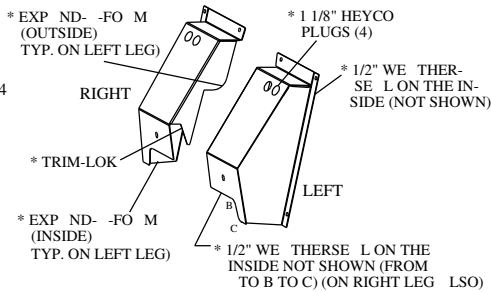
**WINDSHIELD** QTY. P/N  
1 8SV-411002



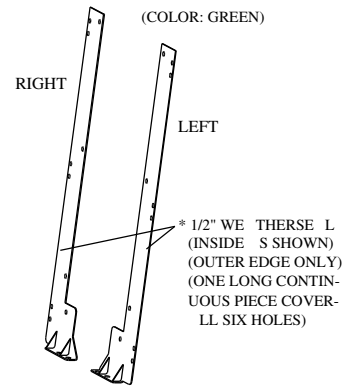
**WINDSHIELD  
SUPPORT** QTY. P/N  
(COLOR: T-BL CK) 1 8SV411004-B4



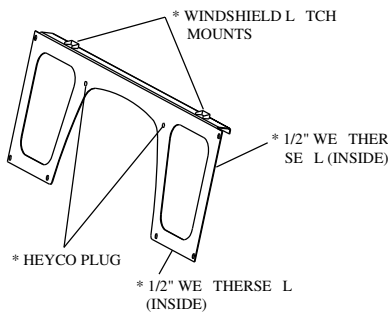
**FRONT LEGS** QTY. P/N  
(COLOR: GREEN) LEFT 1 8SV-252003L-G4  
RIGHT 1 8SV-252003R-G4



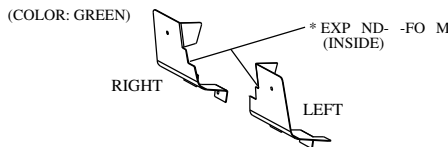
**RE R  
LEGS** QTY. P/N  
LEFT 1 8SV252011L-G4  
RIGHT 1 8SV252011R-G4



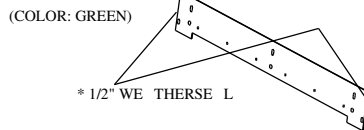
**COWL** QTY. P/N  
(COLOR: GREEN) 1 8SV-252005-G4



**FRONT LEG  
BOTTOM** QTY. P/N  
(FOR MODEL 2520 ONLY) LEFT 1 8SV-252008L-G4  
RIGHT 1 8SV-252008R-G4



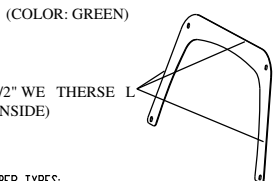
**TOP FILLER** QTY. P/N  
(FOR MODEL 2320 ONLY) 1 8SV252010-G4



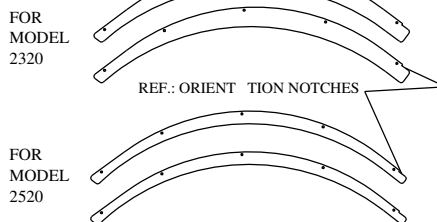
**BEHIND SE T  
FILLER** QTY. P/N  
(COLOR: BL CK) 1 8SV252015



**COWL INSERT** QTY. P/N  
FOR MODEL 2520 1 8SV-252012-G4



**CONTOURS** QTY. P/N  
FOR MODEL 2320 2 8SV-252013-B4  
FOR MODEL 2520 2 8SV-252014-B4  
(COLOR: T-BL CK)



**RUBBER TYPES:**

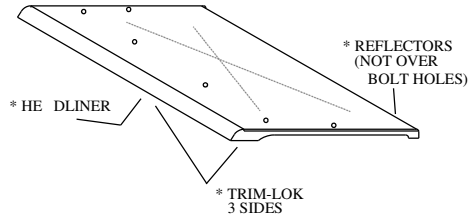
ARCH PSA 9SV-PR09-5	1/2" WEATHER SEAL 9SV-PR20-10	3/4" SIDE BULB w/ 1/4" GRIP 9SV-PR38-15
1" FLAT BULB 9SV-PR05-10	1/4" x 3/4" EXPAND-A-FDM 9SV-PR30-5	

C BS/BL DES/SPRE DERS/ CCESSORIES

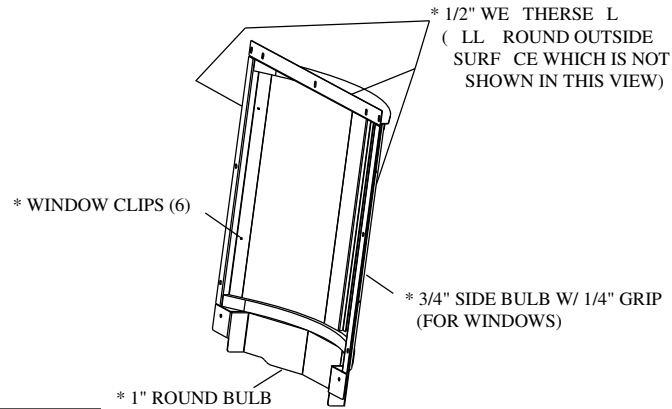
\* IN HOUSE PPLIC TIONS

### J.D. 2320/2520/2720 H RD SIDED C B P RTS LIST (p/n 1JD2520 S)

ROOF	QTY.	P/N
(COLOR: YELLOW)	1	8SV-411001-Y2



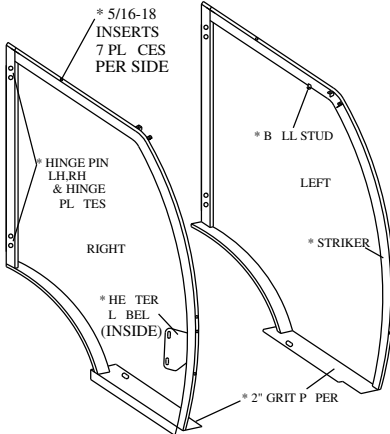
RE R P NEL	QTY.	P/N
(COLOR: GREEN)	1	8SV-252006-G4



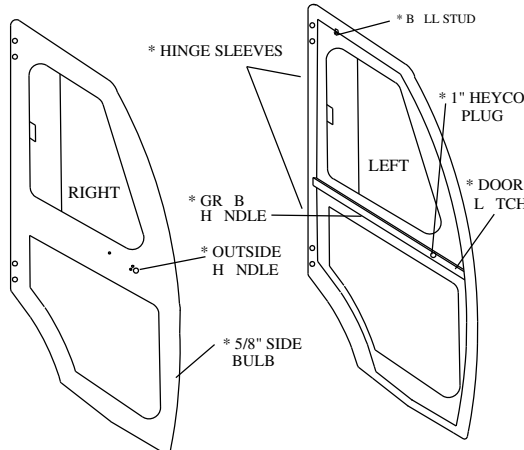
RUBBER TYPES:

<p>1/2" WEATHER SEAL 9SV-PR20-10</p>	<p>3/4" SIDE BULB W/ 1/4" GRIP 9SV-PR38-15</p>	<p>1" ROUND BULB 9PR19</p>	<p>TRIM-LOK 9PR01</p>
--	--	--------------------------------	---------------------------

UNITIZED SIDE FR MESH RD C B	QTY.	P/N
(COLOR: T-BL CK)	LEFT 1	8SV-2520 S9L-B4
	RIGHT 1	8SV-2520 S9R-B4



H RD DOORS	QTY.	P/N
(COLOR: GREEN)	LEFT 1	8SV-2520 S7L-G4
	RIGHT 1	8SV-2520 S-7R-G4



\* IN HOUSE PPLIC TIONS

C BS/BL DES/SPRE DERS/ CCESSORIES

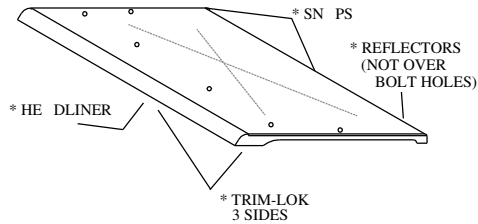
ADDITIONAL SERVICE PARTS

P/N	DESCRIPTION
9SV-HWS	POP OUT WSHIELD HINGE KIT
9SV-WL1	POP OUT WSHIELD LATCH KIT
9SV-HDR1	UNITIZED FRAME HINGE KIT
8SV-SWXL	LEFT DOOR SLIDER ASSEMBLY
8SV-SWXL	RIGHT DOOR SLIDER ASSEMBLY
9SV-IHRL	ROTARY DOOR LATCH KIT
9SV-OHRL	OUTSIDE R-LATCH HANDLE W/KEY
9SV-GS02	GAS SPRING DOOR (2)
8SV-GL14x30	REAR PANEL WINDOW (SINGLE)
JDE2520HWK-01 & 02	HARDWARE KIT (CAB & REAR PANEL)
9SV-GH	GRAB HANDLE KIT (2)
9SV-DP02	HEYCO PLUG (15)
9SV-DS02	CABLE DOOR STOP (13 7/8" LONG)

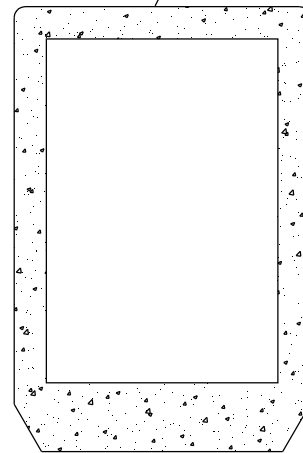
### J.D. 2320/2520/2720 SOFT SIDED C B P RTS LIST (p/n 1JD2520SS)

RE R CURT IN	QTY.	P/N
(COLOR: YELLOW)	1	8SV-252016-VP

ROOF	QTY.	P/N
(COLOR: YELLOW)	1	8SV-411001 -Y2



\*FEM LE SN PS (6) (OUTSIDE)

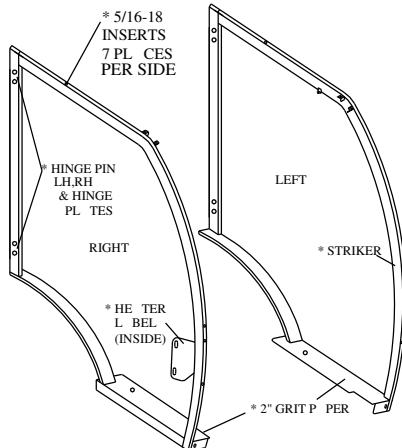


**RUBBER TYPES:**



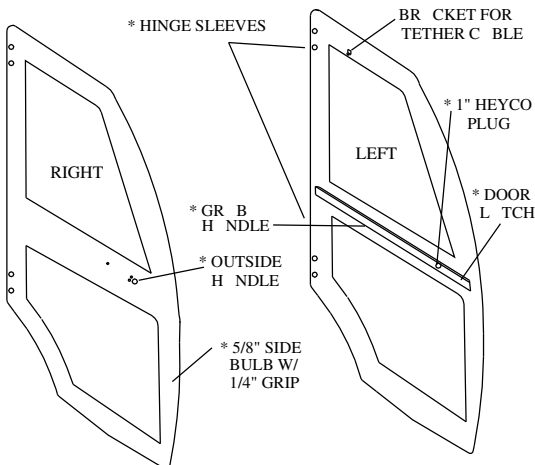
UNITIZED SIDE FR MES SOFT C B	QTY.	P/N
LEFT	1	JD2520SS-09L
RIGHT	1	JD2520SS-09R

(COLOR: T-BL CK)



**SOFT DOORS**

	QTY.	P/N
(FR ME: BL CK POLY) LEFT	1	8SV-2520SS7L-VP
(VINYL: YELLOW) RIGHT	1	8SV-2520SS7R-VP



\* IN HOUSE PPLIC TIONS

C BS/BL DES/SPRE DERS/ CCESSORIES

**ADDITIONAL SERVICE PARTS**

P/N	DESCRIPTION
JD2520HWK-03	SOFT SIDED HARDWARE KIT
9SV-DS02	CABLE DOOR STOP (4)