



**John Deere 2 Family (green)  
 Advantage Cab with Heater (p/n: 1JD2FCAG2)  
 Plus Cab with Heater (p/n: 1JD2FPC)  
 Base Cab (p/n: 1JD2FEN)  
 Fits Tractor Models: 2032 & 2038R**

*While this cab kit was designed to fit on the vehicle(s) listed above, manufacturing tolerances and vehicle assembly may affect cab fitment. It is the responsibility of the cab installer to check all vehicle pedals and levers for full functionality and, as required, adjust the cab fitment to prevent any interference of the cab components with the travel of pedals or levers.*



**Available Options:**

- Front LED Work Lights (P/N: 9LEDW4)
- Rear LED Work Lights (P/N: 9LEDW3)
- Strobe Light (P/N: 9LEDS2)
- Dome light (P/N 9LEDD14)
- Side View Mirrors (P/N: 9PM5)
- Rear View Mirror (P/N: 9PM3)
- Rear Wiper (P/N: 9PWKRP2F)
- Seal Kit (P/N: 9JD2FSK)
- Single Point Hydraulic Relocation Bracket (P/N: 1JD2FSPHRB)

Approximate Installation Time *
Experienced Dealer Technician – 5 Hours
Average Dealer Technician – 6 Hours
Do-It-Yourself – 7 Hours

Approximate Product Specifications
Floorboard to Roof Height: 60 inches
Weight: 328 lbs.
Cab Width: 53.25 inches

(\*=Not including accessories)

The contents of this envelope are the property of the owner. Leave with the owner when installation is complete.


# TABLE OF CONTENTS


WARNINGS, TIPS, & REQUIRED TOOLS.....	3
CAB INSTALLATION.....	4-21
CAB FEATURES & OPERATION.....	22
CARE AND MAINTENANCE.....	23
SERVICE PARTS .....	24-27
OPTIONAL ACCESSORIES .....	28
BOLT TORQUE SPECIFICATIONS .....	29





## WARNINGS, TIPS, & REQUIRED TOOLS

Curtis cabs feature an assembly of parts designed for your vehicle which require adjustment and alignment of components to accommodate vehicle variations and provide proper weather protection. For accurate installation, proper operation, and years of satisfaction, please read and understand the installation and owner's manual fully prior to installing the cab.

From all of us at Curtis, we thank you for choosing our product.

	<h3>NOTICE</h3>
<p>Curtis Cabs, blades and general accessories add additional weight to the base vehicle. All Curtis accessory weights are listed in product brochures. Deduct the accessory's total weight from the vehicle's rated capacity and never exceed the vehicle's rated capacity including driver and passenger.</p>	

	<p><b>WARNING</b> Exposure to Carbon Monoxide can Cause illness, serious injury or death. Never operate vehicle if suspicious of Carbon Monoxide. Inspect exhaust system for leaks monthly. Leaks can result from loose connections, corrosion, cracks or other damage to the exhaust manifold. If leaks are found, repair or replace exhaust system. Do not use vehicle until repair or</p>
---	--

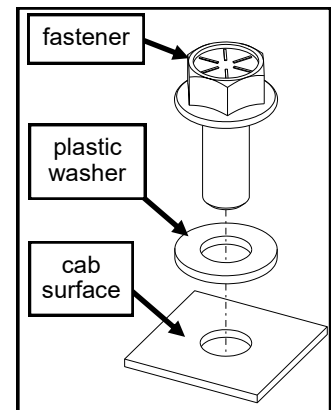
 <b>WARNING</b>	
<b>Serious Injury or Death</b>	
	<p>This cab enclosure does not provide protection from rollover or other accidents.</p>
	<p>This cab enclosure does not provide protection from flying objects including golf balls.</p>
	<p>This cab enclosure does not provide protection from lightning. When lightning threatens take cover and do not operate vehicle.</p>

**California Health and Safety Proposition 65 Warning:** This product may contain chemicals known to the state of California to cause cancer and birth defects or other reproductive harm.

## GENERAL INFORMATION BEFORE YOU START

### HELPFUL HINTS:

- Refer to parts diagram found in the service parts section of this manual to help identify parts during the assembly process.
- To assist with the cab installation, leave all fasteners loose for later adjustment unless otherwise specified.
- Read and understand all instructions before beginning.
- Apply a silicone sealant to seal any minor gaps that may occur due to vehicle variations.
- Use caution to avoid damaging the factory installed threaded inserts or weld nuts. Begin the thread engagement by hand to avoid or correct potential cross threading.
- Make sure the areas where the supplied self-adhesive hook Velcro will be applied are clean and dry and at room temperature for best adhesion.
- Before installing parts with factory installed rubber, make sure the rubber is fully installed onto the parts for proper fit and sealing.
- Plastic washers have been supplied to provide a weather seal under the heads of some exterior bolts. The plastic washer should be installed under each bolt head directly against the outside cab surface. Care should be taken not to over tighten the fasteners and damage the plastic washer.



### TOOLS REQUIRED:

- |  |  |
|--|--|
| <ul style="list-style-type: none"> <li>• Set of Standard and Metric Sockets (3/8" Drive)</li> <li>• 3/8" Drive Ratchet and Long Drive Extension</li> <li>• Set of Standard and Metric Open End Wrenches</li> <li>• Set of Standard and Metric Allen Wrenches</li> <li>• #2 and #3 Phillips Head Screwdrivers</li> <li>• Torque Wrench</li> <li>• Rubber Mallet or Plastic Dead Blow Hammer</li> <li>• Center Punch</li> <li>• Awl</li> <li>• Test light or Volt Meter</li> </ul> | <ul style="list-style-type: none"> <li>• Drill/Driver</li> <li>• 3/8" and 7/32" Drill Bits</li> <li>• #2 and #3 Phillips Head Bit</li> <li>• Utility Knife</li> <li>• Pair of Scissors</li> <li>• Shears</li> <li>• Grease</li> <li>• C-Clamps</li> <li>• Silicone Sealant</li> <li>• Teflon Tape</li> </ul> |
|--|--|

# CAB INSTALLATION

## STEP 1: (VEHICLE PREP)

- 1.1 Unplug, remove, and save the two fender lights. These will be relocated to the back of the cab in later steps.
- 1.2 Unbolt the rear lights and carefully pull at least 6.5" of wire through the hole in the ROPS, trying not to damage the wire insulation. To get extra slack, a zip tie might need to be removed at the bottom of the ROPS at the back of the tractor.
- 1.3 Remove (2) fir tree plugs from right side of the floor mat. See Figure 1.3.
- 1.4 Remove (1) M8 shoulder bolt, (1) M10 bolt, and (1) M10 nut from right side floor board. See Figure 1.4. Be mindful of a fender washer under the floorboard with the M10 nut, as it might be stuck to the bottom of the floorboard. This will be used later, so removing it is not necessary.
- 1.5 Mark and pierce/drill holes in the floor mat directly over where the bolts go. The cab will be installed on top of the floor mat and bolt into the floor board through the mat.
- 1.6 Repeat steps 1.3 through 1.5 for the left side.

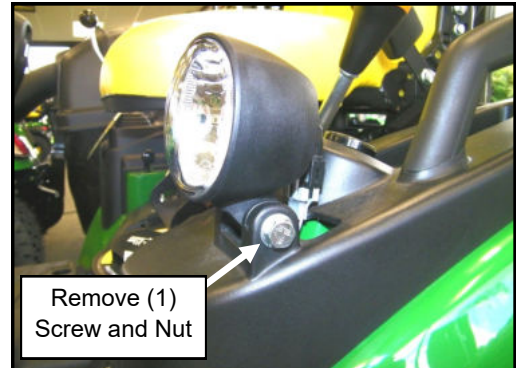


Fig. 1.1 (Remove Fender Lights)



Fig. 1.2 (Unbolt Rear Lights)

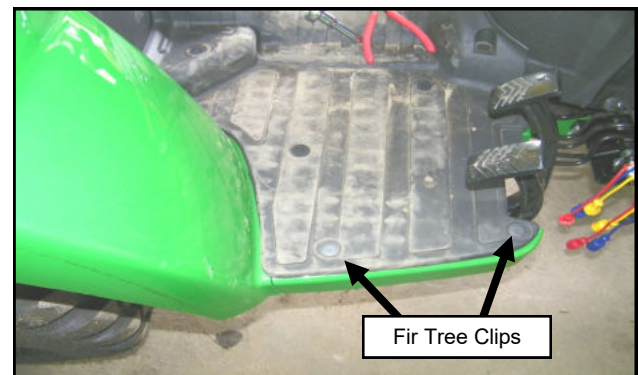


Fig. 1.3 (Remove Fir Tree Clips)

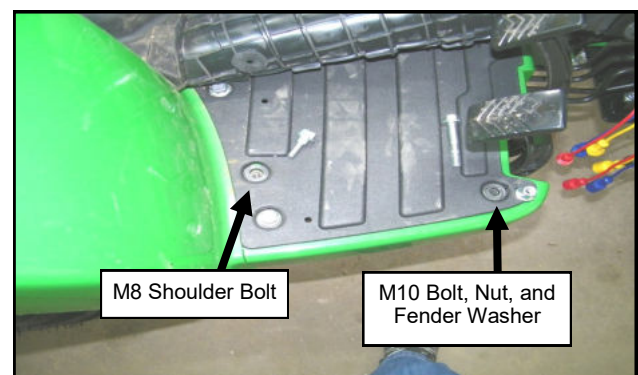


Fig. 1.4 (Remove Floorboard Hardware)

# CAB INSTALLATION

## STEP 2: (ROPS BRACKETS)

**2.1** With a helper, hold the left rear light up, slide the light wires into the big slot in the ROPS bracket, and set the left ROPS bracket assembly in place on the rear fender.

**2.2** Wedge a ROPS mount bracket onto the ROPS, lining up the holes, and loosely secure it to the ROPS bracket.

<u>Hardware Used</u>	<u>Qty</u>
5/16-18 x 1 Hex Head Screw	6

### Tools required

½" wrench or socket

**2.3** Mount the left rear light to the ROPS bracket. Ensure the light is right side up with the brake light facing backward, as the light can easily be flipped by accident. Tighten hardware.

<u>Hardware Used</u>	<u>Qty</u>
M8x1.25 X 20 Button Head Screw	2

### Tools required

5mm Allen Wrench

**2.4** Wrap the exposed rear light wires with some of the supplied wire loom.

**2.5** Repeat steps 2.1 through 2.4 with the right ROPS brackets.

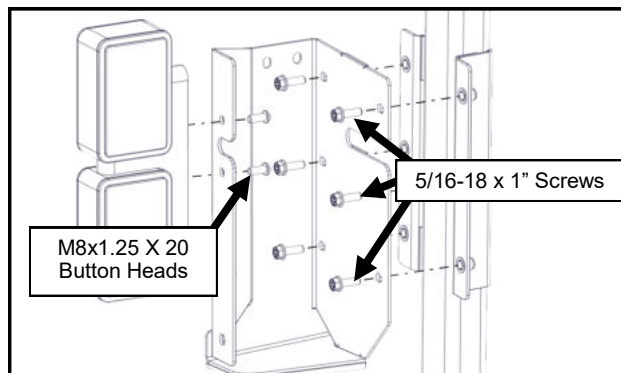


Fig. 2a (ROPS Brackets)

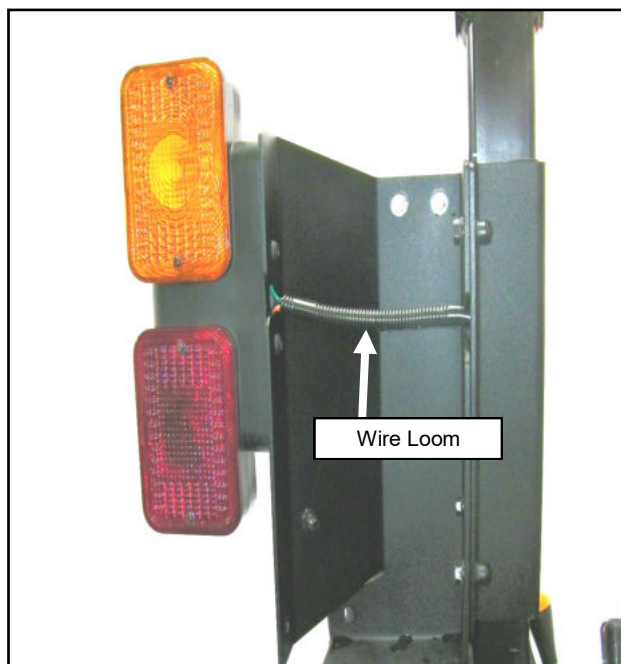


Fig. 2b (ROPS Brackets)

## STEP 3: (REAR LEGS)

**3.1** With a helper, set the left rear leg in place on the rear fender against the ROPS bracket. See figure 3.1. Loosely secure to the ROPS bracket with sealing washers on all the screws.

<u>Hardware Used</u>	<u>Qty</u>
5/16-18 x ¾ Hex Head Screw	3
5/16" Sealing Washer	3
5/16-18 Hex Nut	3

### Tools required

½" wrenches and/or sockets

**3.2** Repeat step 3.1 with the right rear leg.

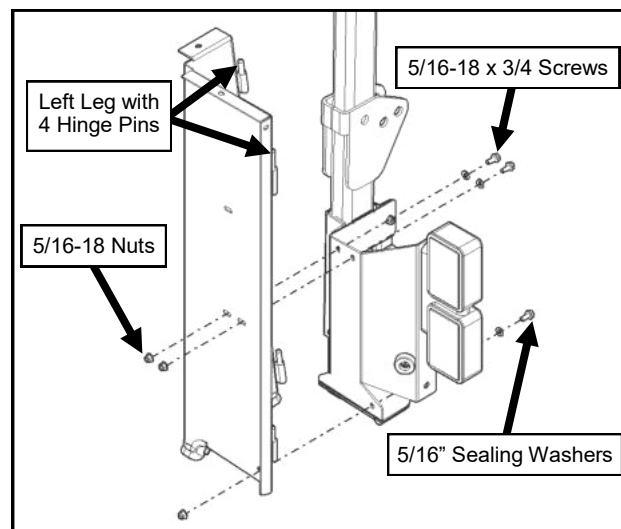


Fig. 3.1 (Loosely Secure Left Rear Leg)

# CAB INSTALLATION

## STEP 4: (FOLDING PIN ROPS BRACKET)

**4.1** Loosen both the left and right ROPS tensioners, but do not try to remove. These are T-handles on the front side of the ROPS.

**4.2** Remove the left ROPS pin and remove the foam washer. The foam washer will not be re-used. See Figure 4.2.

**4.3** Loosely secure the bracket to the rear leg with a sealing washer on the screw. See Figure 4.3. Do not tighten hardware.

<u>Hardware Used</u>	<u>Qty</u>
5/16-18 x 3/4 Hex Head Screw	1
5/16" Sealing Washer	1
5/16-18 Hex Nut	1

### Tools required

1/2" wrenches and/or sockets

**4.4** Re-install the ROPS pin without the foam washer.

**4.5** Repeat steps 4.2 and 4.3 for the right side.

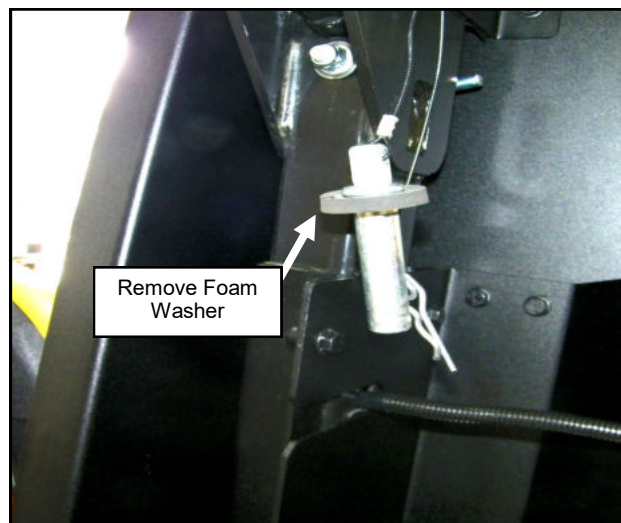


Fig. 4.2 (Remove ROPS Pin)  
(Right Side Pin Shown)

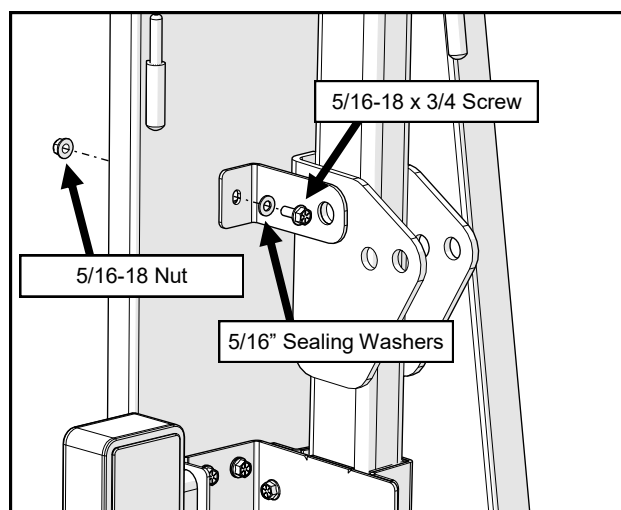


Fig. 4.3 (Loosely Secure ROPS Bracket)

## STEP 5: (A-PILLARS)

**5.1** With a helper, set the left A-pillar onto the floor mat and loosely bolt it down. See figure 5.1. The bolts will be tightened at a later step once the rest of the cab has been assembled.

<u>Hardware Used</u>	<u>Qty</u>
M8x1.25 X 40 Hex Head Screw	2
M10x1.5 X 75 Hex Head Screw	2
M10x1.5 Hex Nut	2

### Tools required

13mm, 15mm, & 17mm wrenches and sockets

**5.2** Repeat step 5.1 with the right A-pillar.



Fig. 5.1 (Loosely attach the left A-Pillar)

# CAB INSTALLATION

## STEP 6: (COWL)

6.1 Slide the cowl on and loosely secure it to the A-pillars with sealing washers on all the thumb screws. See Figure 6.1. For best water seal, make sure the rubber seal folds BACK in towards the cab along the top, then at the bottom fold the rubber out towards the front.

<u>Hardware Used</u>	<u>Qty</u>
5/16-18 Thumb Screw	8
5/16" Sealing Washer	8

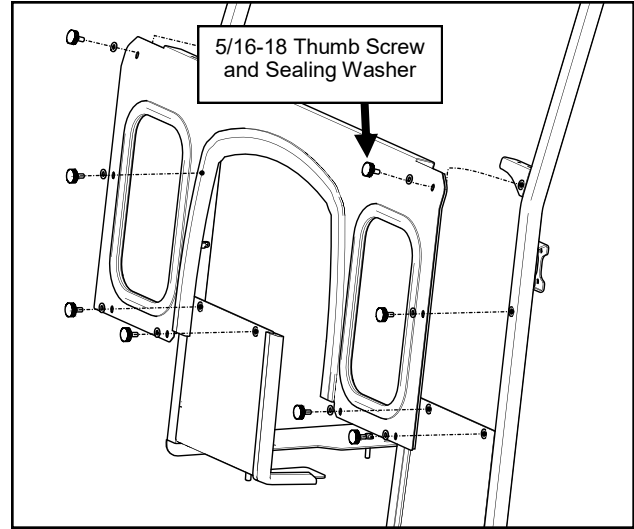


Fig. 6.1 (Install Cowl)

## STEP 7: (WINDSHIELD SUPPORT)

7.1 Per fig. 7.1, install the Windshield Support oriented with notches down as shown and leaving the 2 bolts loose.

<u>Hardware Used</u>	<u>Qty</u>
5/16-18 x 3/4 Hex Head Screw	2
5/16" Sealing Washer	2

### Tools required

1/2" wrenches and/or sockets

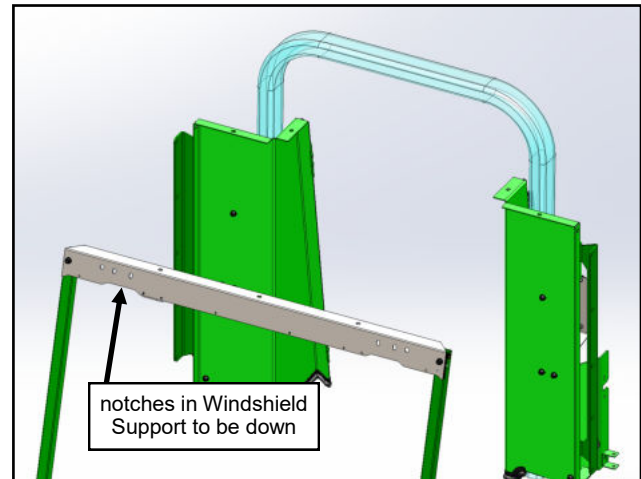


Fig. 7.1 (Install Windshield Support)

## STEP 8: (DOOR HEADERS)

8.1 Per fig. 8.1, install the left Door Header, oriented with the square cut end towards the rear of the vehicle. Leave both bolts loose.

<u>Hardware Used</u>	<u>Qty</u>
5/16-18 x 3/4 Hex Head Screw	2
5/16" Sealing Washer	2
5/16-18 Hex Nut	1

### Tools required

1/2" wrenches and/or sockets

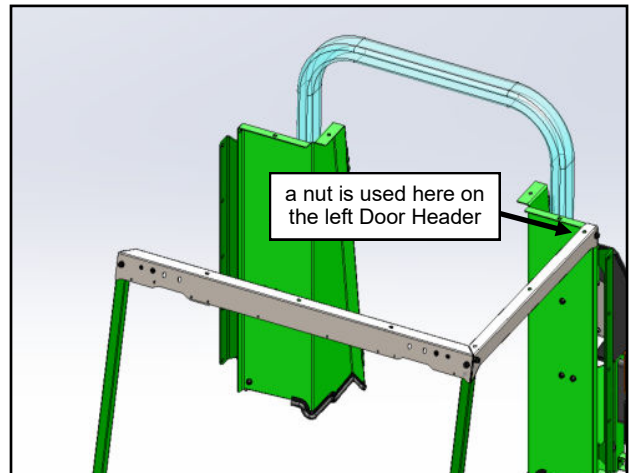


Fig. 8.1 (Install left Door Header)

# CAB INSTALLATION

## STEP 8: (DOOR HEADERS cont'd.)

8.2 Per fig. 8.2, install the right Door Header, oriented with the square cut end towards the rear of the vehicle. Leave both bolts loose.

Hardware Used	Qty
5/16-18 x 3/4 Hex Head Screw	2
5/16" Sealing Washer	2
5/16-18 Hex Nut	1

### Tools required

1/2" wrenches and/or sockets

8.3 Make sure the Windshield Support and Door Headers line up well and have the smallest possible gaps between them, then tighten the four (4) screws going into the A-pillars to 12.5 lb-ft. Leave the rest of the hardware loose at this point.

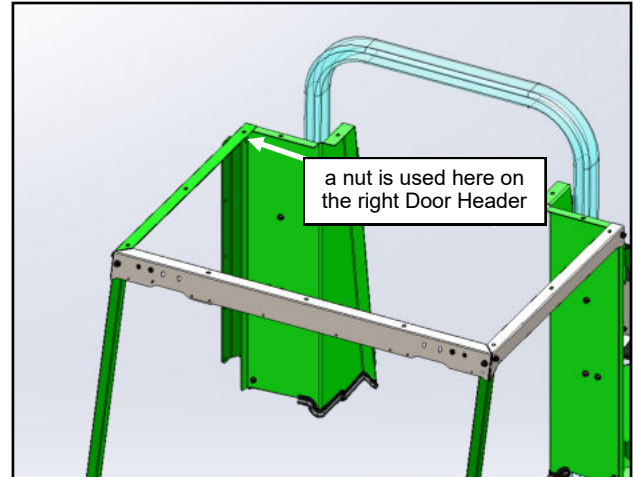


Fig. 8.2 (Install right Door Header)

## STEP 9: (WINDSHIELD)

9.1 With a helper, set the windshield up to the A-pillars and secure it to the roof using the hinge spacers and hardware. Leave hardware loose.

Hardware Used	Qty
5/16-18 x 1.5" Flat Head Screw	4
5/16-18 Hex Nut	4

### Tools required

#3 Phillips screw driver  
1/2" wrench or socket.

9.2 Secure the windshield latches to the A-pillars with the latches open, and tighten latch hardware.

Hardware Used	Qty
1/4-20 x 5/8" Hex Head Screw	4
1/4-20 Hex Nut	4

### Tools required

3/8" wrench/socket  
7/16" wrench/socket

9.3 Close the windshield while lifting up on the bottom edge. Tighten hinge hardware. Caution: The windshield hinges are plastic components. Do not overtighten the flat head screws. Torque to 7 ft.-lbs. max.

9.4 Ensure the windshield latches function properly and the windshield pops out.

9.5 Remove warning decal from windshield.

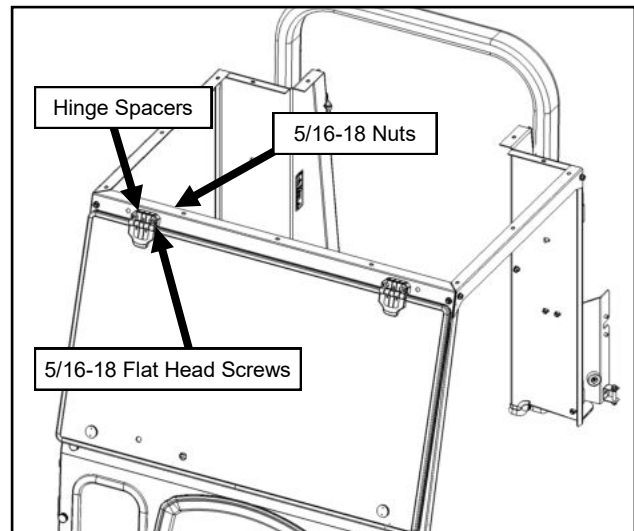


Fig. 9.1 (Attach Windshield)

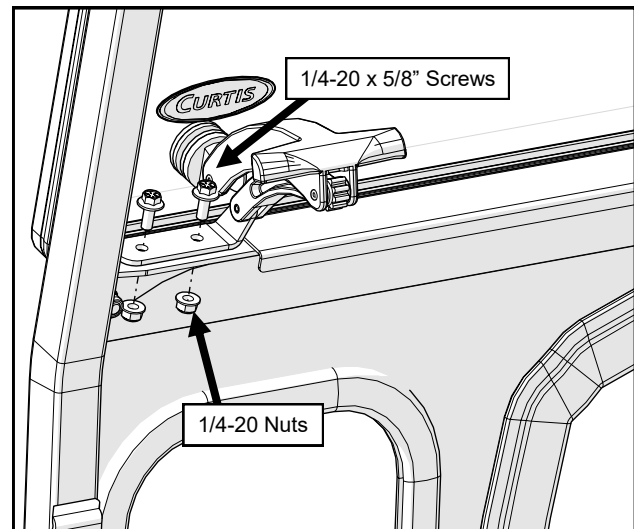


Fig. 9.2 (Secure Windshield Latches)

# CAB INSTALLATION

## STEP 10: (ROOF)

**10.1** Prep the Roof by piercing the headliner at each covered bolt hole location. Use a screwdriver to poke holes through the headliner from the headliner side up through the hole in the Roof to avoid having the headliner pull away from its glued surface.

**10.2** With a helper, set the Roof on top of the Windshield Support and the Door Headers. All heads of 15 bolts should be on the exterior surface with sealing washers used. Note: also install two additional bolts in the rear flange of the Roof (not shown in fig. 10.2). Leave bolts loose.

### Hardware Used

	Qty
5/16-18 x 3/4 Hex Head Screw	15
5/16" Sealing Washer	15
5/16-18 Hex Nut	15

### Tools required

1/2" wrenches and/or sockets

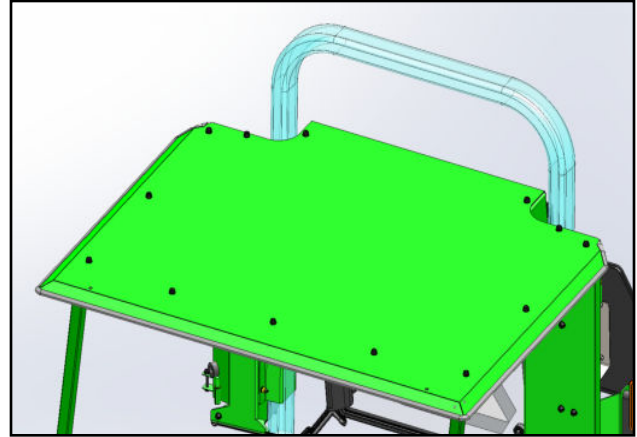


Fig. 10.2 (Install Roof)

## STEP 11: (REAR WINDOW)

### Glass Rear Window (CA Cabs)

**11.1** Grease the hinge pins for the rear window and slide on greased brass washers.

**11.2** Hang the rear window. See Figure 11.2.

**11.3** Close the window and snap the window latches to the right rear leg. The whole cab might have to be wracked to achieve alignment. Latch the window tight, which will help keep the cab aligned.

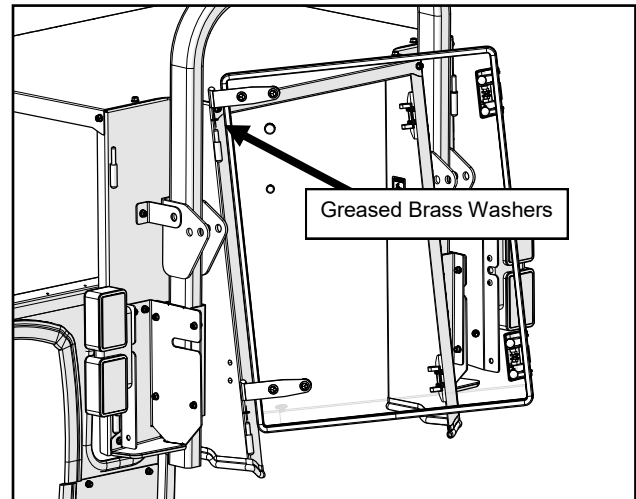


Fig. 11.2 (Install Rear Window, CA cab only)

### Vinyl Upper Rear Curtain (PC or EN Cabs)

**11.4** See fig. 11.4. Pre-install the supplied Velcro hook to the sewn-in Velcro loop on the upper three sides of the upper rear curtain. Leave the release tape on until the filler is in place.

**11.5** Align the top of the curtain to the top inside rear corner of the roof, and the sides to the inside corners of the rear legs. Remove the release tape a little at a time and stick the filler down as you work your way around.

**NOTE:** The vinyl will stretch around the flanges and latch mounts inside the rear of the cab. Make sure the Velcro is attached firmly to the inside surfaces of the cab.

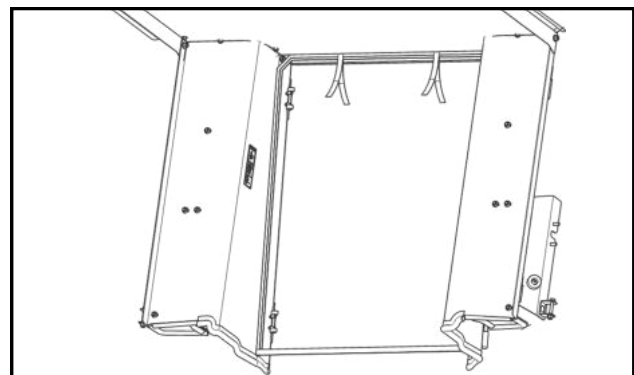


Fig. 11.4 (Upper Rear Curtain, PC or EN cab)

# CAB INSTALLATION

## STEP 11: (CAB ALIGNMENT)

- 12.1** Adjust the bottom of the rear legs side to side to get the outer surfaces matched up with the sides of the rear fender. See figure 12.1. The outer flanges of the legs should be about 46-3/8" apart, outside to outside.
- 12.2** Measure the distance from the striker bracket to the front edge of the rear legs as shown in figure 12.2. Adjust the A-pillars, rear legs, and ROPS brackets to get as close to 35-1/2" as possible.

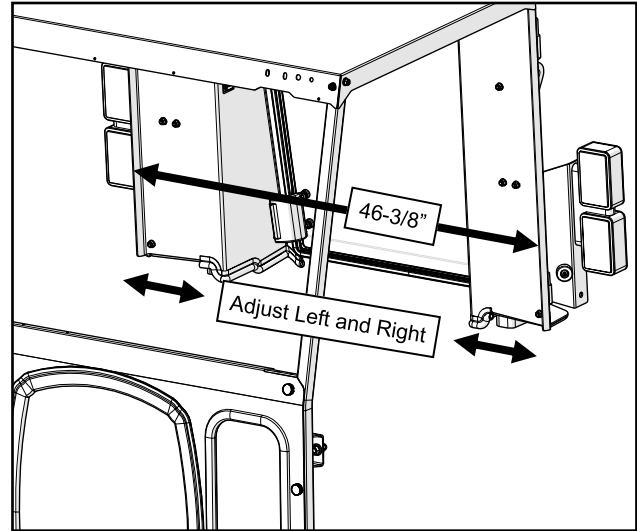


Fig. 12.1 (Align Legs Left and Right)  
(Windshield hidden for clarity)

## STEP 13: (TIGHTEN HARDWARE)

- 13.1** Tighten all hardware at this time, using the torque values given below. Verify alignment measurements after the cab is tight.

For 5/16" bolts that use plastic washers, use only 12.5 lb-ft.

For 5/16" bolts that thread into factory installed threaded inserts in the A-Pillars, use 20 lb-ft.

For the remaining 5/16" bolts (the vast majority on the cab) that thread into hex nuts, use 28 lb-ft.

For all other bolt sizes (3/8", 1/4", etc.), no specific torque values are required. Tighten to a reasonable feel.

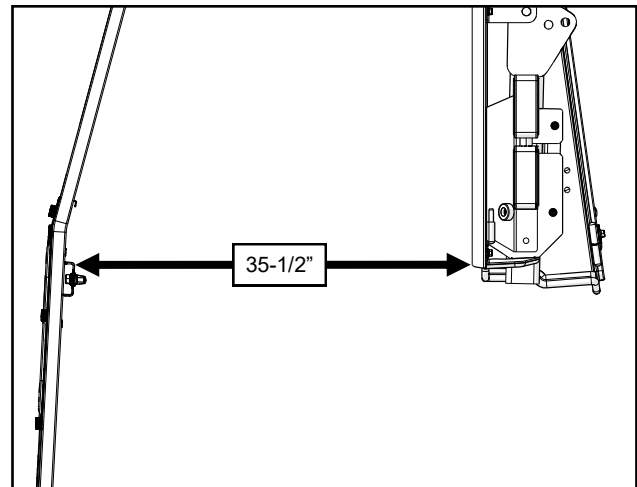


Fig. 12.2 (Align A-Pillar and Rear Legs)

## STEP 14: (WINDSHIELD WIPER MOTOR)

- 14.1** Mount the wiper motor to the windshield. See Figure 14.1. Make sure the wires are above the wiper motor shaft to prevent pinching the wire when the windshield is opened and closed.

**NOTE:** Do not install the wiper arm and blade at this time. Once the motor has been wired, it can be turned on and off to ensure that the wiper arm will be docked in the correct position once it is attached at a later step.

- 14.2** Re-check the windshield pop-out function. The wiper motor should easily clear the cowl, but if not, loosen the windshield hinges and raise the windshield to gain some clearance.

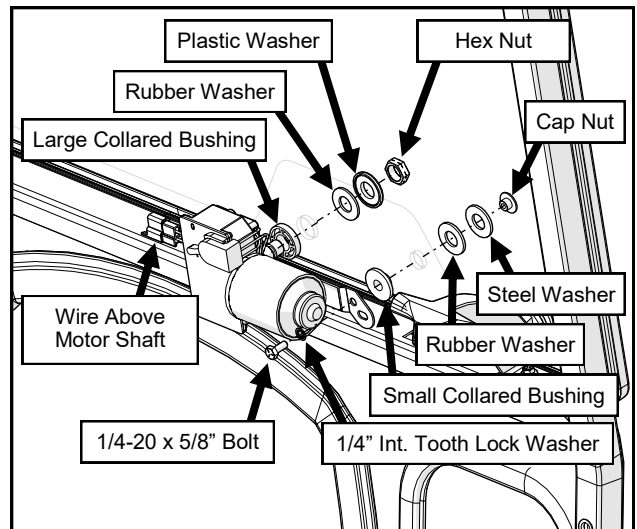


Fig. 14.1 (Windshield Wiper Motor)

# CAB INSTALLATION

## STEP 15: (WIRING)

- 15.1** Disconnect the negative battery terminal.
- 15.2** (optional for cabs with vinyl zipper doors) Snap in the heater switch. The “off” position for this switch is in the middle, with low speed one way and high speed the other way. The switch may be installed in either direction, and can be removed and rotated 180° later if desired.
- 15.3** Connect the wiper motor and heater switch (optional for cabs with vinyl zipper doors) to the harness.
- 15.4** Open the windshield and secure the wiring harness underneath the cowl using cable clamps. See figure 15.4.

<u>Hardware Used</u>	<u>Qty</u>
#10-32 x 1/2" Pan Head Screw	2
#10-32 Hex Nut	2

**Tools required**  
 #2 Philips Screw Driver  
 3/8" Wrench or Socket.

- 15.5** Thread the wiring harness through the smaller hole in the floor board. See figure 15.5.
- 15.6** Taking up slack as you work your way down, secure the wiring harness to the A-pillar with p-clips and self-drilling screws. See figure 15.5. Clean up metal shavings afterward.

<u>Hardware Used</u>	<u>Qty</u>
#10 Self-Drilling Screw	3

**Tools required**  
 #2 Philips screw driver tip in electric drill.

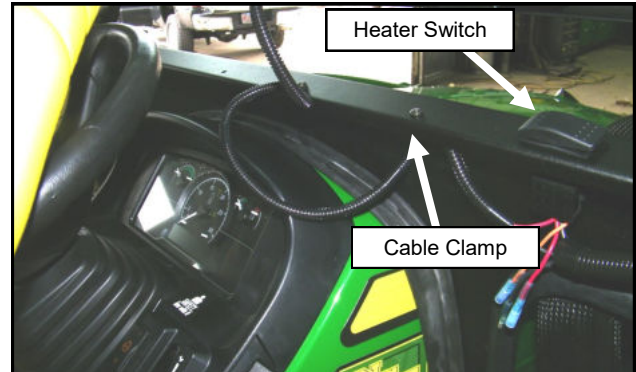


Fig. 15.4 (Secure Wire Harness)

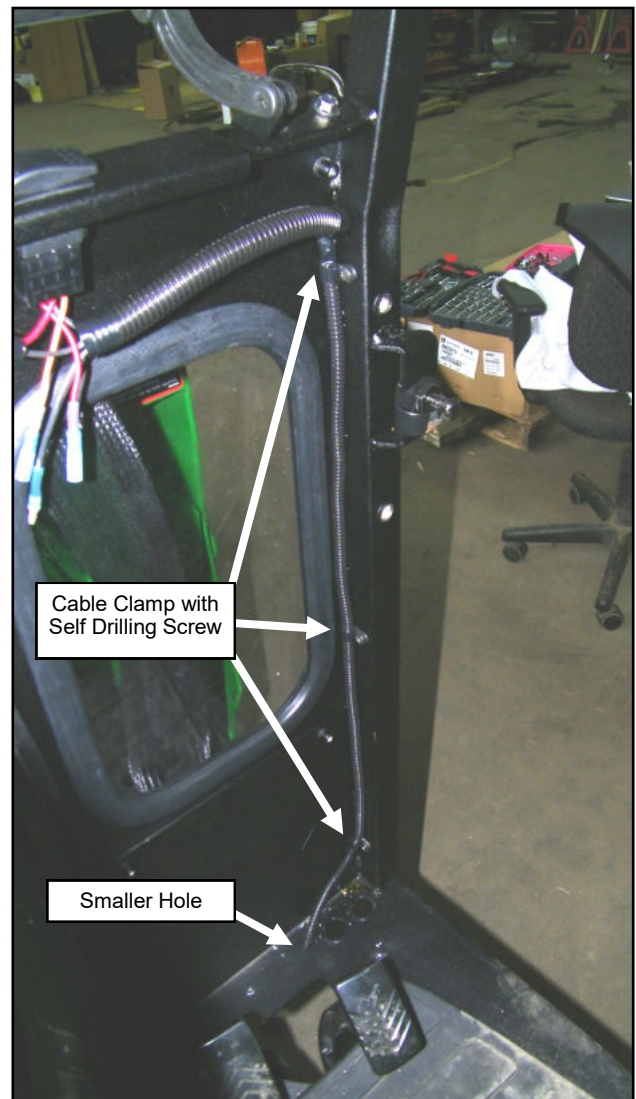


Fig. 15.5 (Secure Wire Harness)

# CAB INSTALLATION

## STEP 15: (WIRING CONT'D)

- 15.7** Run the rest of the wiring harness through the engine bay behind the engine and down the left side of the engine up to the alternator. Be mindful and avoid pinch points and hot surfaces. See Figure 15.7.
- 15.8** Unbolt the nut and bolt at the back of the engine and re-secure with the ground terminal on. See Figure 15.8.
- 15.9** Connect the bullet terminals of the main wiring harness and the fuse wiring harness.
- 15.10** Unbolt the main power cable attached to the alternator and re-secure with the ring terminal on the fuse harness.
- 15.11** Secure the whole wiring harness and double check that the wires are not pinched or near sharp or hot surfaces.
- 15.12** At this point, leave the battery disconnected and move on to heater installation.

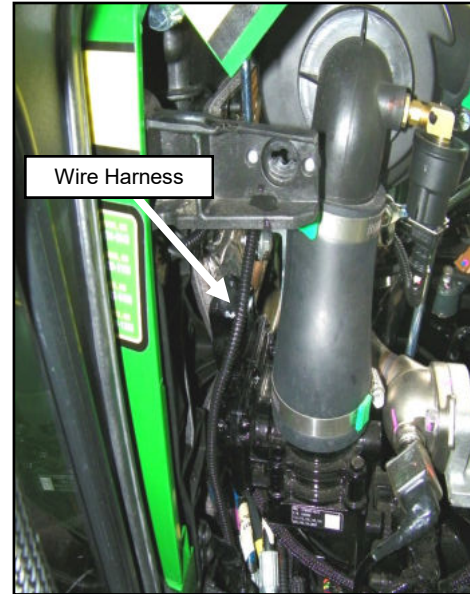


Fig. 15.7 (Wire Harness Runs Behind Engine)  
(Viewed from Right Side)

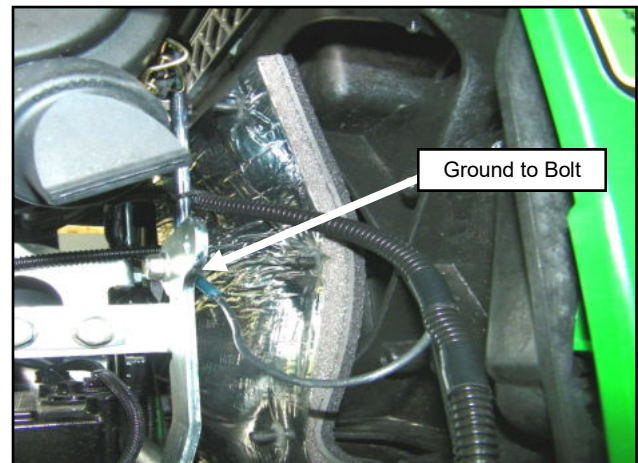


Fig. 15.8 (Wire Harness Ground to Bracket)  
(Viewed from Left Side)

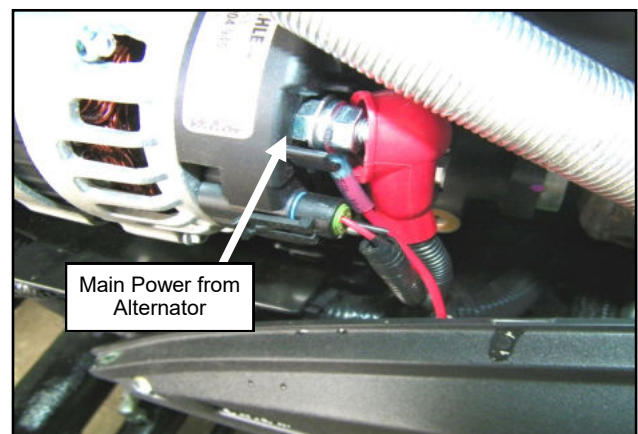


Fig. 15.10 (Secure Wire Harness)

# CAB INSTALLATION

## STEP 16: (HEATER) (optional for cabs with vinyl Curtain doors)

16.1 Pre-assemble the heater bracket onto the heater using the screws already installed on the side of the heater. See Figure 16.1. Tighten hardware.

### Tools needed

#2 Philips Screw driver.

16.2 Attach the heater bracket to the right A-pillar. See Figure 16.2. Tighten hardware.

### Hardware Used

5/16-18 x 3/4 Hex Head Screw

Qty  
2

### Tools required

1/2" wrench or socket

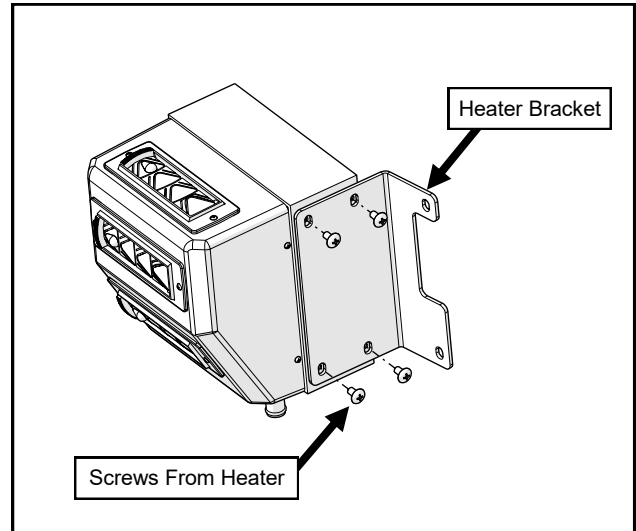


Fig. 16.1 (Pre-Assemble Heater to Bracket)

## STEP 17: (FINISH WIRING)

17.1 Connect the heater bullet connectors to the wiring harness.

17.2 Install the provided fuse into the fuse holder now attached to the alternator.

17.3 Apply wire loom to any exposed wires, as necessary.

17.4 Re-connect the negative battery terminal.

## STEP 18: (FINISH WIPER)

18.1 Turn on the wiper motor briefly, then turn back off. This will make sure the motor shaft is in the correct "banked" position.

18.2 Pre-assemble the wiper and wiper arm.

18.3 Install the wiper arm onto the wiper motor so that the wiper is horizontal. See Figure 18.3. Tighten the Allen Screws.

### Tools required

3/32" Allen Wrench

18.4 Adjust the length of the wiper arm as long as possible while still clearing the outer cap nut for the windshield latches. Turn on the wiper to check proper operation.

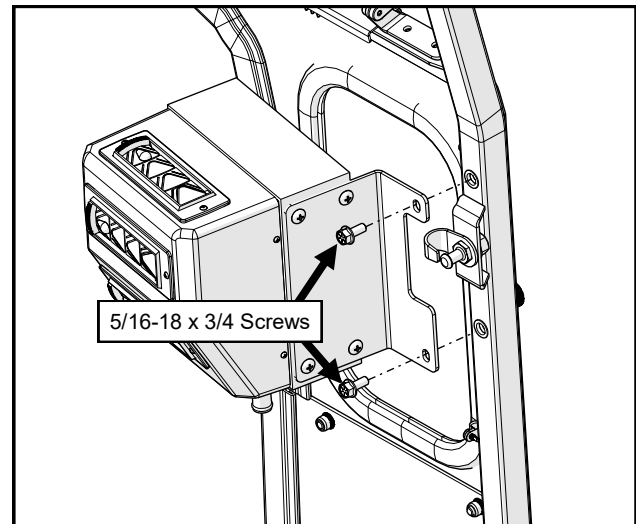


Fig. 16.2 (Install Heater)

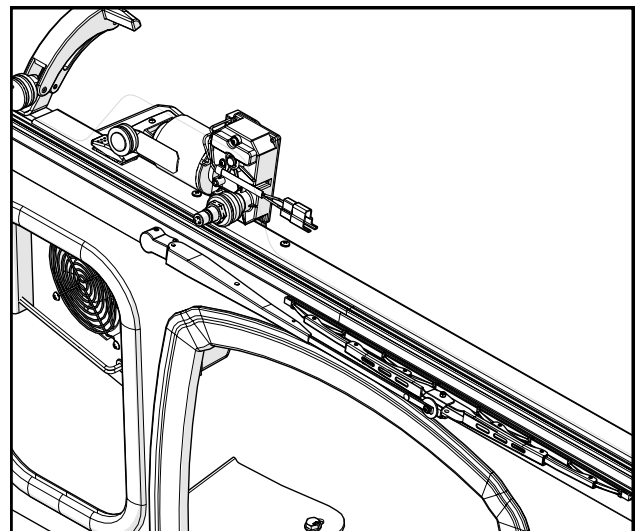


Fig. 18.3 (Install Wiper Arm and Wiper)

# CAB INSTALLATION

## STEP 19: (DOOR STRIKERS)

**CAUTION:** The door striker plates are oriented differently, depending on the type of doors included.

**Steel Doors Only:** Striker to OUTSIDE of cab

**Vinyl Hinged Doors Only:** Striker to INSIDE of cab

**NOTE:** Vinyl zipper doors do not need door strikers installed and striker hardware is not included with the cab.

**19.1** Install the striker plate to the A-pillar mounting bracket with the large slot to the outside for the steel doors (see Figure 19.1A) or to the inside for the vinyl hinged doors (see Figure 19.1B)

<u>Hardware Used</u>	<u>Qty</u>
5/16-18 x 3/4" Hex Head Screw	2
5/16-18 Hex Nut	2

### Tools Required

1/2" Wrenches and/or Sockets

**19.2** Install the striker parts oriented as shown in Figure 19.1A or 19.1B. Note the finger guard should always be oriented toward the inside of the cab.

### Tools Required

3/4" Wrenches

**19.3** Repeat steps 19.1 and 19.2 for the opposite side.

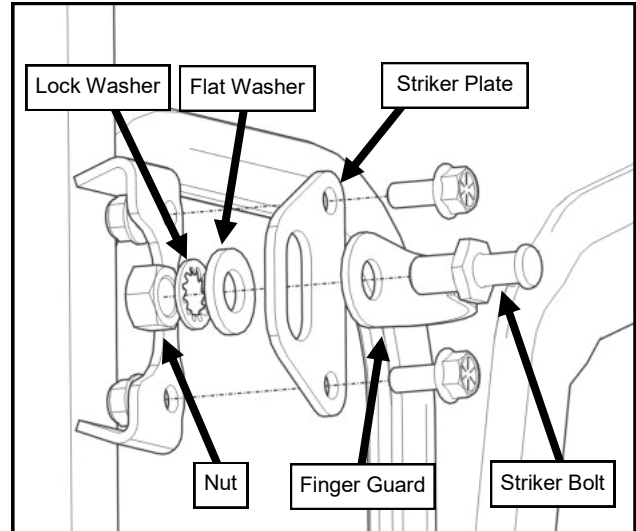


Fig. 19.1A (Door Striker OUTSIDE for Steel Doors)

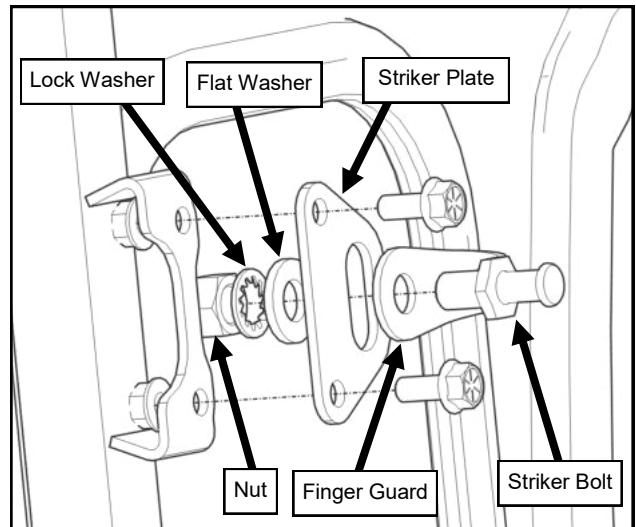


Fig. 19.1B (Door Striker INSIDE for Vinyl Hinged Doors)

# CAB INSTALLATION

## STEP 20: (HEATER PLUMBING) (optional for cabs with vinyl Curtain doors)

**CAUTION: Only work on a cool engine!**

- 20.1** Drain the coolant into a clean container so that it may be reused.
- 20.2** Cut the lower radiator hose where shown. See Figure 20.2.
- 20.3** Place (2) of the larger hose clamps on both cut sides of the lower hose, install the T-Fitting and tighten the clamps.
- 20.4** Remove the NPT plug from the front of the engine and install the block adapter with Teflon tape. See Figures 20.4a and b.
- 20.5** From inside the cab, install both  $\frac{3}{4}$ " snap bushings into the large holes in the right A-pillar floor board.
- 20.6** Thread one end of the  $\frac{5}{8}$ " diameter hose down through the inner most snap bushing, and run the hose to the T-fitting. Connect the hose to the T-fitting with a hose clamp.
- 20.7** Inside the cab, cut the hose to length and connect it to the inner most nipple on the heater with a hose clamp.
- 20.8** Thread the remaining hose down through the remaining snap bushing, and run the hose to the block adapter. Connect the hose to the adapter with a hose clamp.
- 20.9** Inside the cab, cut the hose to length and connect it to the outer most nipple on the heater with a hose clamp.
- 20.10** In the engine bay, splice into the hose connected to the block adapter and install the in-line shut-off valve with hose clamps. Note: The in-line shut-off valve quickly converts the heater into a summertime blower by preventing hot water from flowing to the heater core.
- 20.11** Refill the cooling system. Start the tractor and inspect system for leaks. Let the engine cool, check the coolant level, and top off coolant if required.
- 20.12** With the tractor running, check the heater hoses and make sure they get warm. If not, remove the heater from its mount and let hang from the hoses as low as possible. If the heater and hoses still do not get warm, temporarily put a clamp on the upper radiator hose to force coolant through the heater. Warning: To avoid engine damage, remove the clamp as soon as heater gets warm. Reattach heater to the bracket.

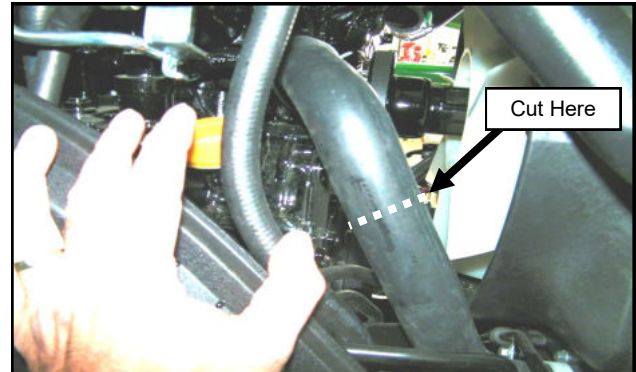


Fig. 20.2 (Cut Lower Radiator Hose)

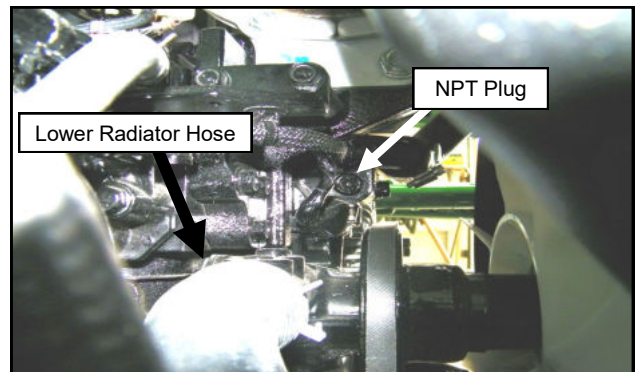


Fig. 20.4a (Remove NPT Plug from Engine)

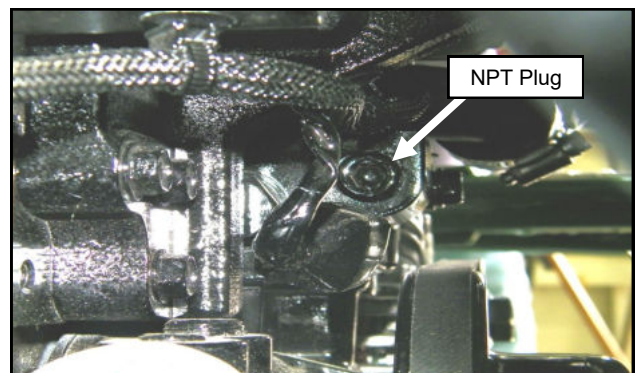


Fig. 20.4b (Remove NPT Plug from Engine)  
(this is a zoomed-in image of the above figure)

# CAB INSTALLATION

## STEP 21: (OEM SIDE LIGHTS)

**21.1** Pre-assemble the light brackets onto the OEM fender lights. See Figure 20.1. The carriage screw must be pre-installed in the bracket before the light is mounted for clearance purposes.

<u>Hardware Used</u>	<u>Qty</u>
5/16-18 x 2" Hex Head Screw	2
5/16-18 Hex Nut	2
5/16-18 x 3/4" Carriage Screw	1

**Tools Required**  
1/2" Wrenches and/or Sockets

**21.2** Mount one light onto the left ROPS bracket and position it as desired. Tighten hardware.

<u>Hardware Used</u>	<u>Qty</u>
5/16-18 Hex Nut	1

**Tools Required**  
1/2" Wrenches and/or Sockets

**21.3** Plug the light extension harness into the light and run the harness down behind the ROPS and into the cab under the rear leg.

**21.4** Run the harness up and along the grab handle. Plug the connector into the vehicle harness, and secure to the grab handle with cable ties.

**21.5** Repeat steps 21.2 through 21.4 for the other light.

**21.6** Turn on the vehicle fender light switch and test functionality.

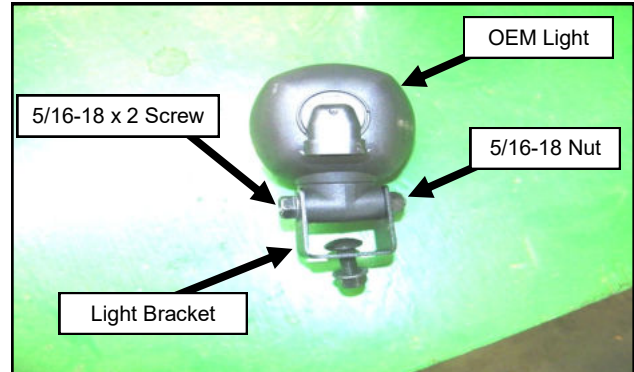


Fig. 21.1 (Pre-Assemble OEM Side Lights)

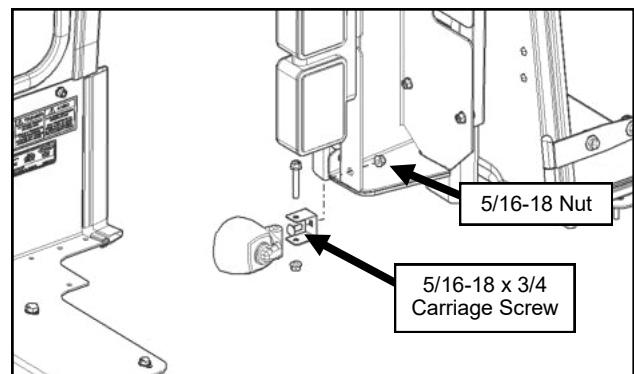


Fig. 21.2 (Mount OEM Light onto ROPS Bracket)

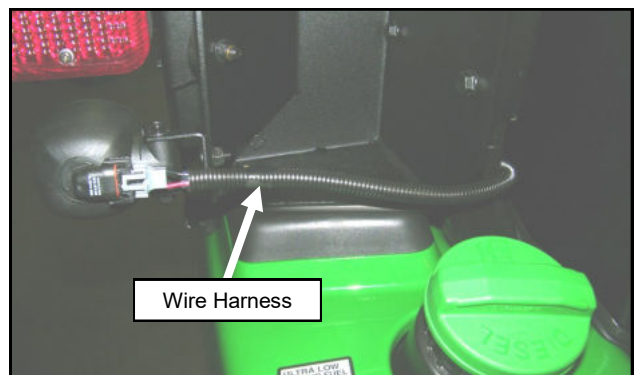


Fig. 21.3 (Run Wire Around ROPS)

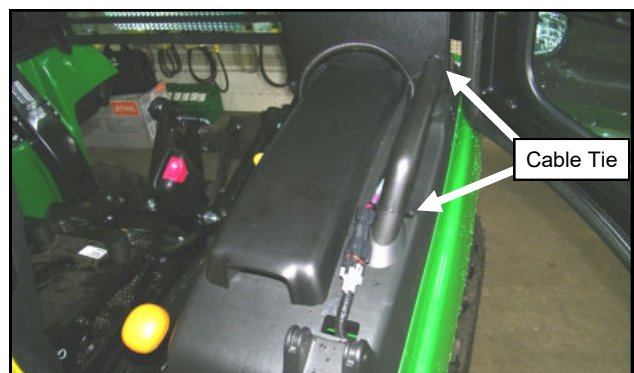


Fig. 21.4 (Plug In and Secure Harness)

# CAB INSTALLATION

## STEP 22: (UNDER SEAT FILLER)

**22.1** Pre-install the supplied Velcro to the under seat filler. Leave the release tape on until the filler is in place.

**22.2** Tip the seat forward and set the filler in place. See Figures 22.2a and 22.2b. Adjust the Velcro so that the back will be on the glass above the rubber seal, the sides are on sheet metal and the corners of the filler roughly line up with the corners of the rear legs, and the front edge is far enough back to not interfere with the function of the levers and knobs.

**22.3** Ensure the filler does not interfere with operation of the controls next to the seat. See Figure 22.3.

**22.4** Remove the release tape a little at a time and stick the filler down as you work your way around.

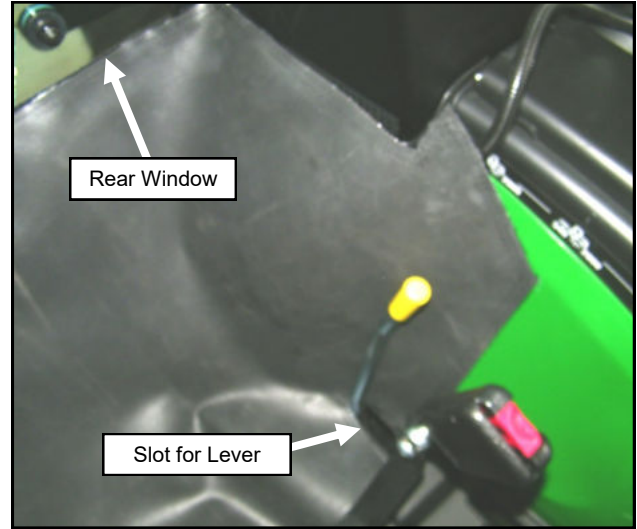


Fig. 22.2a (Install Under Seat Filler)

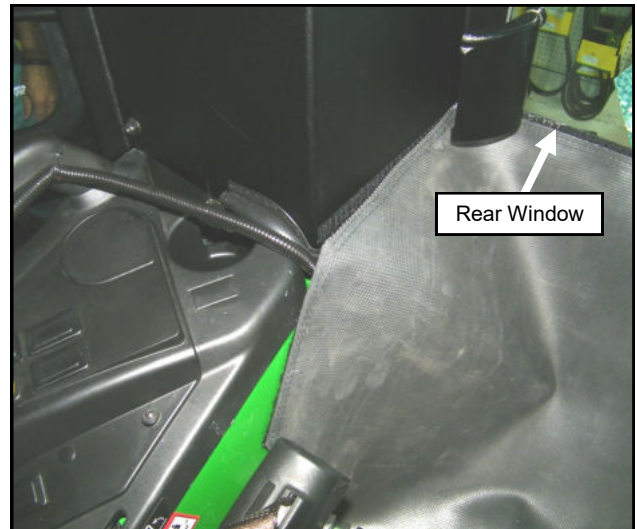


Fig. 22.2b (Install Under Seat Filler)

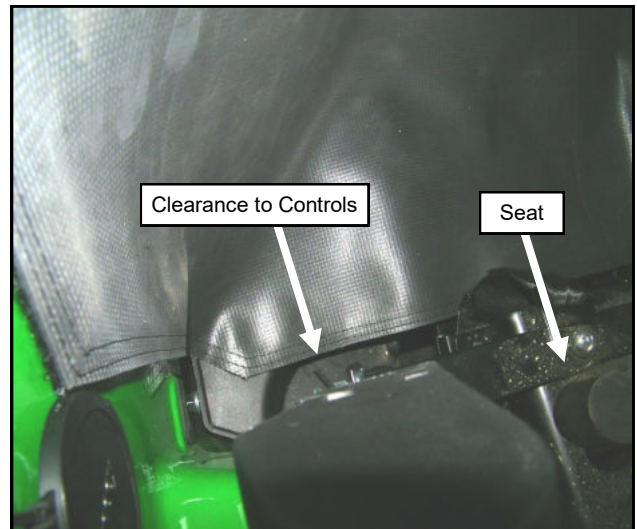


Fig. 22.3 (Controls Next to Seat)

# CAB INSTALLATION

## STEP 23: STEEL DOORS ONLY

**23.1** Install the supplied brass washers onto the hinge pins on the left side and then apply grease to the pins.

**23.2** Loosen the door hinges to allow for adjustment later. Hang the left door on the hinges. While lifting up and forward on the door handle, line up the door latch with the striker pin and carefully attempt to latch. You should be able to hear 2 clicks as you slowly engage the latch on the pin. If the latch is too far forward or back to latch on the pin, adjust as shown. Then retighten and latch.

**23.3** Stand back and examine the alignment of the door with the roof and the A-pillar. You can adjust this by moving the striker pin up or down as shown in fig. 23.3 to help with alignment. *TIP: In the final step, the front of the door will drop a small amount the first time you open it. Set the front of the door a little bit higher so it aligns properly.* Adjust as necessary until you are happy with the alignment. Have an assistant sit inside the cab and once more carefully close the door like you did in step 23.2. Work with the assistant and tighten the hinge bolts.

**23.4** Open the door and check for smooth operation of the latch. As noted in step 23.3, the door will likely drop a little bit at the front and the striker pin will need to be adjusted down accordingly. Also make sure the door seal is making contact along the perimeter of the door and the latch clicks twice when closing. If necessary adjust the striker in or out to achieve this (see Figure 23.3).

**23.5** Repeat steps 23.1 through 23.4 for the right door.

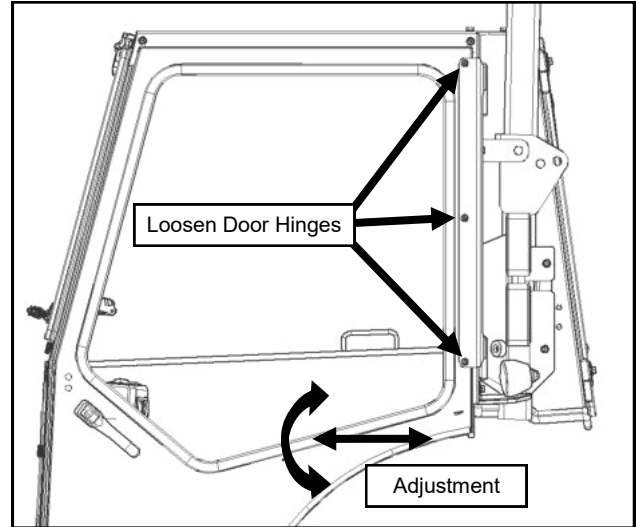


Fig. 23.2a (Door Hinge Adjustment)

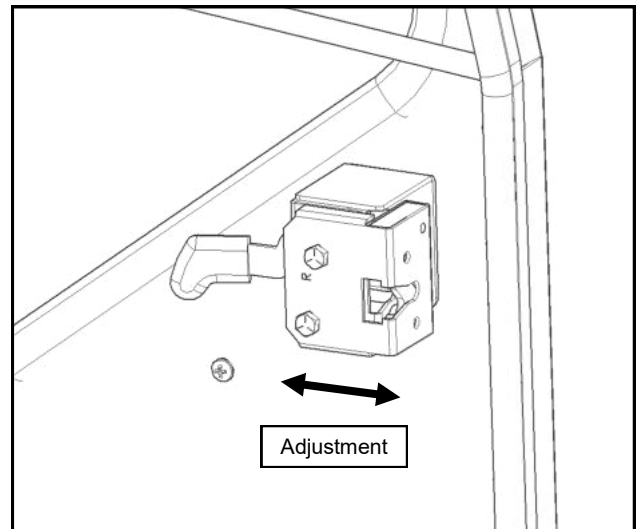


Fig. 23.2b (Door Latch Adjustment)

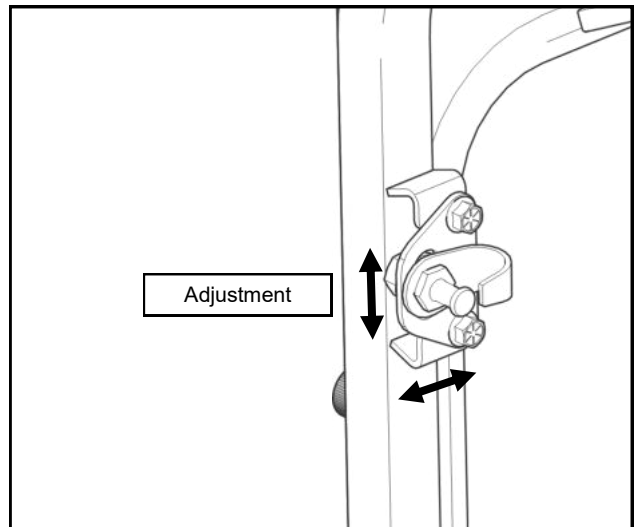


Fig. 23.3 (Striker Pin Adjustment)

# CAB INSTALLATION

## STEP 24: VINYL HINGED DOORS

**24.1** Install the supplied brass washers onto the hinge pins on the left side and then apply grease to the pins.

**24.2** Loosen the door hinges to allow for adjustment later. Hang the left door on the hinges. While lifting up and forward on the door handle, line up the door latch with the striker pin and carefully attempt to latch. You should be able to hear 2 clicks as you slowly engage the latch on the pin. If the latch is too far forward or back to latch on the pin, adjust as shown. Then retighten and latch.

**24.3** Stand back and examine the alignment of the door with the roof and the A-pillar. You can adjust this by moving the striker pin up or down as shown to help with alignment. *TIP: In the final step, the front of the door will drop a small amount the first time you open it. Set the front of the door a little bit higher so it aligns properly. Adjust as necessary until you are happy with the alignment. Have an assistant sit inside the cab and once more carefully close the door like you did in step 24.2. Work with the assistant and tighten the hinge bolts.*

**24.4** Open the door and check for smooth operation of the latch. As noted in step 24.3, the door will likely drop a little bit at the front and the striker pin will need to be adjusted down accordingly. Also make sure the door seal is making contact along the perimeter of the door and the latch clicks twice when closing. If necessary adjust the striker in or out to achieve this (see Figure 24.3).

**24.5** Due to vehicle and cab manufacturing tolerances, the door frames may need to be hand bent to improve the seal.

To adjust the bottom of the door, hold the door at the latch with the door open and have an assistant hold the top of the door. Pull inward on the bottom corner of the door, then close the door and check the seal.

To adjust the top of the door, hold the door at the latch with the door open and pull inward on the top corner. It is not necessary to have an assistant hold the bottom.

Repeat as needed until the door is sealed around the entire perimeter.

**24.6** Repeat steps 24.1 through 24.5 for the right door.

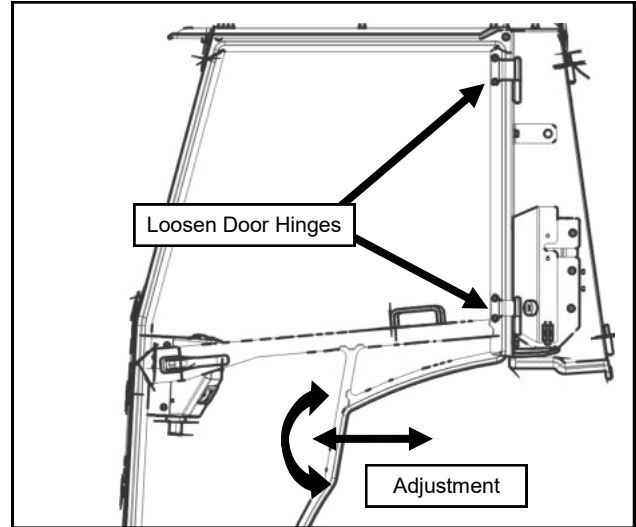


Fig. 24.2a (Door Hinge Adjustment)

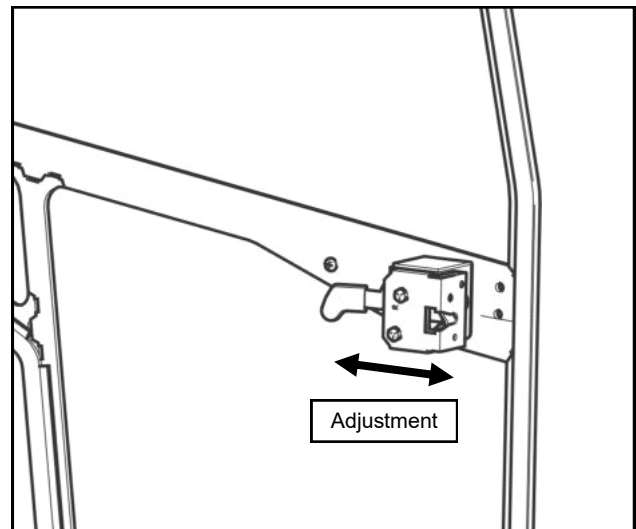


Fig. 24.2b (Door Latch Adjustment)

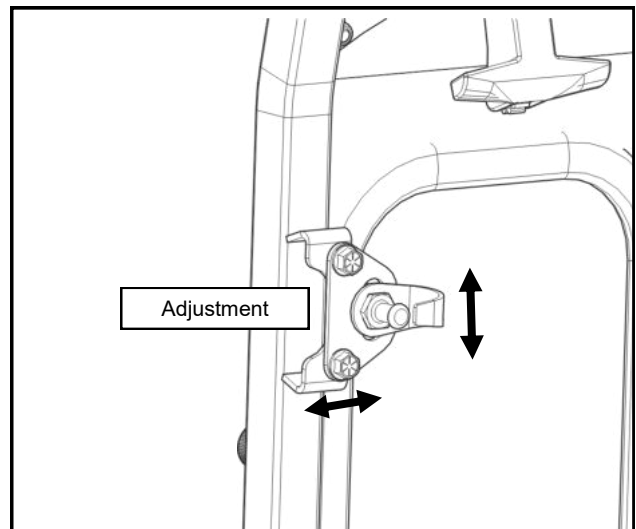


Fig. 24.3 (Striker Pin Adjustment)

# CAB INSTALLATION

## STEP 25: VINYL ZIPPER DOORS

**25.1** Pre-install the supplied Velcro on the left door curtain, to outside strips on the top and rear, and to inside strips at the front. Leave the release tape on until the curtain is in place.

**IMPORTANT:** Make certain the surfaces of the cab are clean and dry before adhering the Velcro.

**25.2** Hold the door curtain to the inside faces of the cab at the top and rear of the door opening, with the inner edges of the Velcro aligned to the bottom edge of the side header, and the inner edge of the rear leg. Pull off the release tape from the top strip and adhere the Velcro to the side header, working from the upper rear corner forward.

**25.3** Pull the curtain to the outside of the A-pillar tube with the inner Velcro strip centered on the tube, and the front flange of the curtain centered between the windshield support and cowl.

**NOTE:** The front bolt of the side header may need to be loosened to get the curtain between the header and the A-pillar tube.

**25.4** Remove the release tape and adhere the inner strip of Velcro to the A-pillar tube, working down from the top.

**25.5** Pull the front flap of the door curtain tight, remove the release tape and adhere the Velcro to the front face of the A-pillar tube, working down from the top.

**25.6** Remove the release tape and adhere the rear strip of Velcro to the inside of the rear leg, pulling tight and working down from the top.

**25.7** Repeat steps 25.1 through 25.6 for the right door.

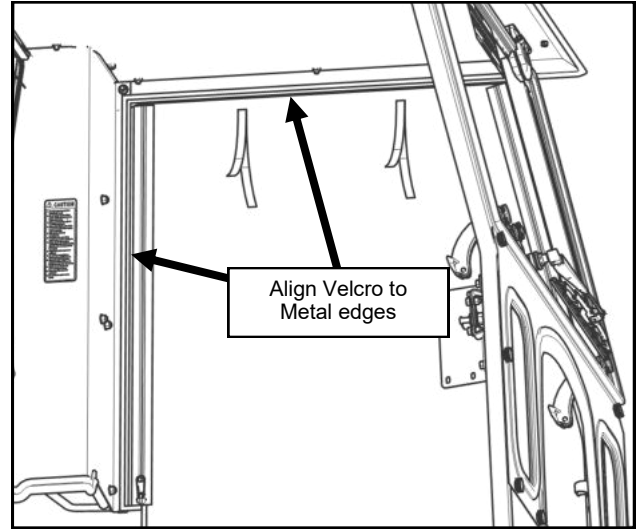


Fig. 25.2 (Align Door Curtain top and rear)

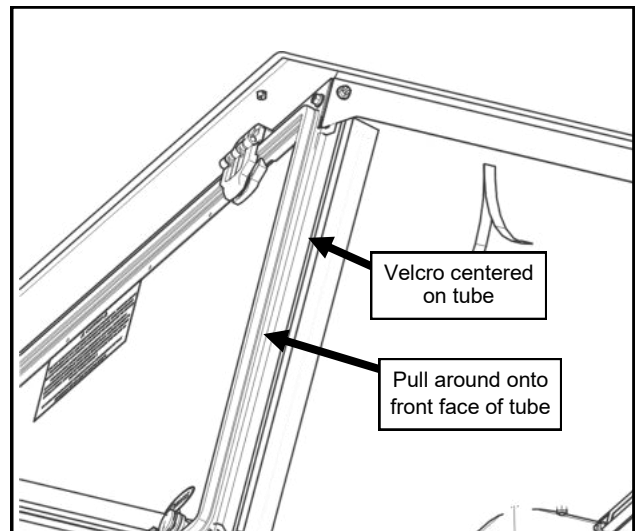


Fig. 25.3 (Align Door Curtain to A-pillar)

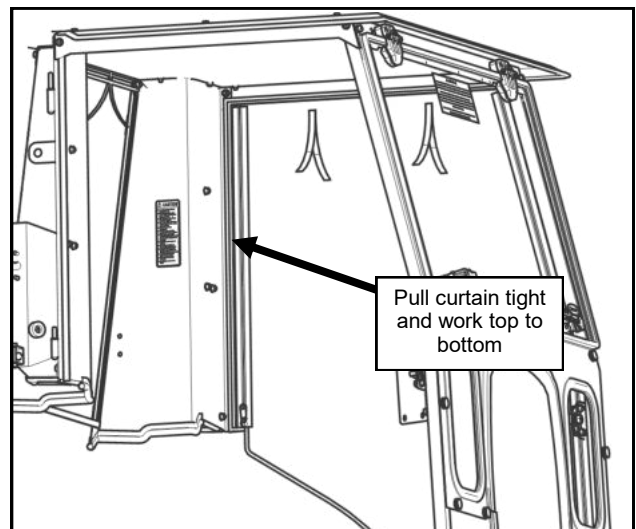


Fig. 25.6 (Adhere Door Curtain to Rear Leg)

# CAB INSTALLATION

## STEP 26: (ACCESSORIES/PLUGS)

26.1 If installing accessories, please do so now. If not, use the supplied plugs to cover any exposed holes. See Figure 23.1.

## STEP 27: (SMV DECAL)

27.1 If planning on using the tractor on public roads, apply the SMV decal to the outside of the rear window. See Figure 27.1.

## STEP 28: (FINISHING TOUCHES)

28.1 Due to the nature of the packaging materials used for shipping this product, the components of the cab system may have dust on their surfaces upon removal from the packaging. It is recommended that after completion of the cab installation, the cab and vehicle are washed thoroughly to eliminate any dust or contaminants. See the Care and Maintenance section at the back of this manual for critical information on cleaning the product.

NOTE: This cab may use a common hardware kit and therefore may have extra hardware. Discard additional hardware.

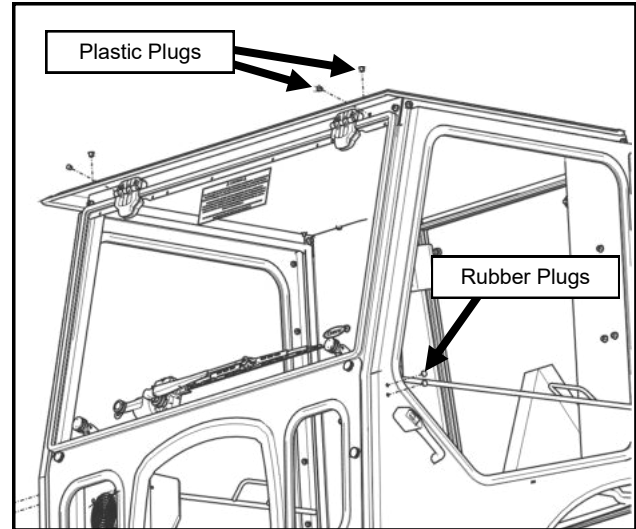


Fig. 26.1 (Install Plugs)

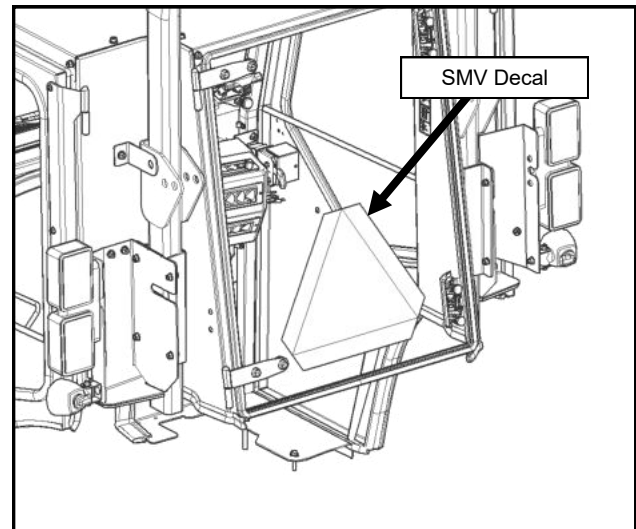
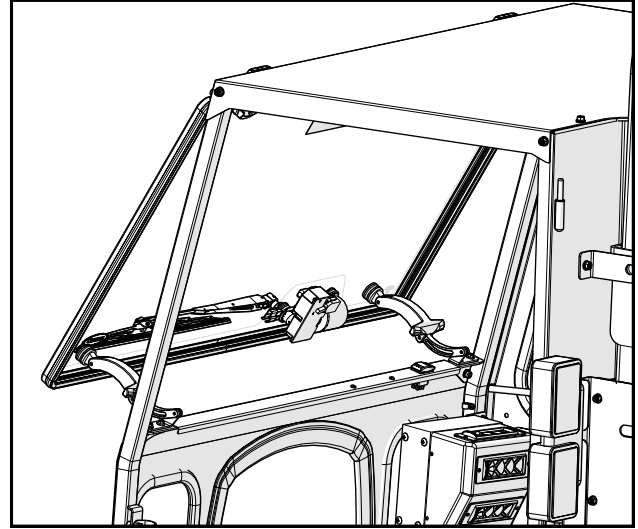


Fig. 27.1 (SMV Decal)

## CAB FEATURES & OPERATION

### POP-OUT WINDSHIELD

Your 2 Family cab comes equipped with a pop-out windshield for ventilation. To open the windshield, simply lift up on both of the pop-out latches and rotate until the latches rest in the over-center position.



Pop-Out Windshield

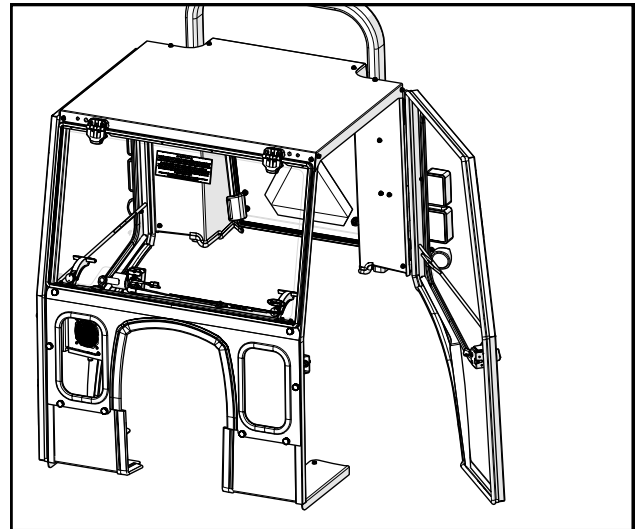
### LIFT-OFF DOORS (STEEL AND VINYL HINGED)

For added ventilation, the doors on the 2 Family cab lift off in seconds without tools.

To lift off:

1) Rotate the doors 45° to the cab and lift. Also, remove the hinge washers and store in a plastic bag.

*Store the doors in a safe location to prevent damage.*



Lift-Off Doors

### REMOVABLE REAR WINDOW (CA Cab) (steel door cabs only)

In order to use the backhoe on tractors so equipped, the rear window must be removed.

To remove the rear window:

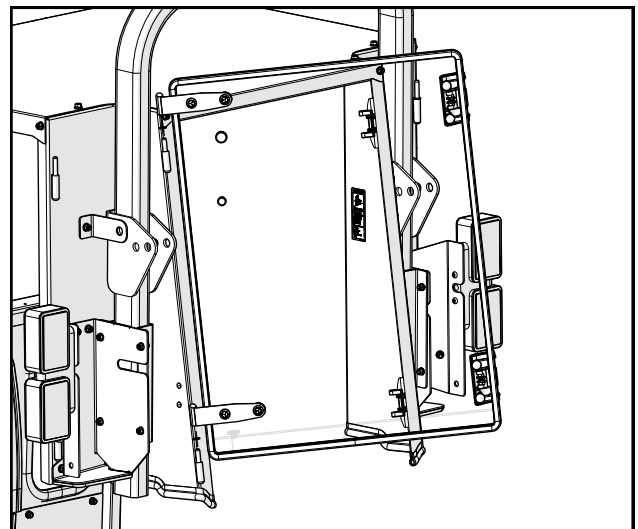
1) Rotate both window latches and open the window.

2) Release both latches to allow the window to open freely. Take care not to let the window open into the ROPS or damage may occur.

3) From outside of the cab, lift up on the rear window and slide off the hinges. Remove the hinge washers and store in a plastic bag.

*Store the rear window in a safe location to prevent damage.*

To reinstall the rear window, reinstall the hinge washers, align the hinges with the pins and drop into place. Re-attach the latches to the rear leg. Re-apply the underseat filler Velcro to the rear panel.



Removable Rear Window

## CARE AND MAINTENANCE

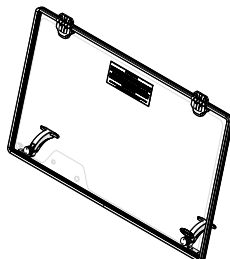
- Re-apply lubrication (preferably grease) periodically as needed to the door striker pins, door latch assemblies, and the door hinges.
- Check and tighten hardware after 40 hours of operation. Periodically inspect and tighten hardware for the remainder of the unit's life.
- Wash the painted surfaces of the cab with commercial automotive cleaning products.
- Clean glass windows with glass cleaner. *Note: Some windows on the cab are acrylic. DO NOT* clean acrylic windows with harsh chemicals. It will damage the plastic. Mild soap and water should be used on all acrylic windows.
- Vinyl components should be washed with a mild solution of warm soapy water.
- Clear vinyl can be easily scratched. Be careful cleaning frost or snow from rear curtain. Do not roll curtains in cold weather. The curtain becomes stiff and may crack. Keep curtain clean.

# JOHN DEERE 2 FAMILY CAB (GREEN) SERVICE PARTS

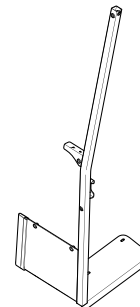
ROOF ASSEMBLY, W/ OVERHANG  
P/N: 8SV-101-00043



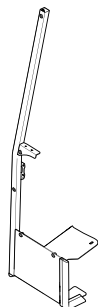
WINDSHIELD ASSEMBLY, 45.75" X 27"  
P/N: 8SV-102-00022



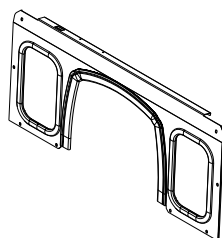
A PILLAR ASSEMBLY, LEFT  
P/N: 8SV-104-00021-L



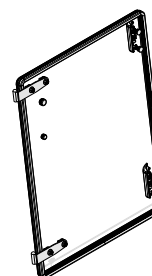
A PILLAR ASSEMBLY, RIGHT  
P/N: 8SV-104-00021-R



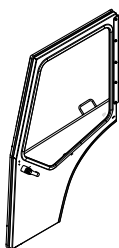
COWL ASSEMBLY  
P/N: 8SV-105-00017



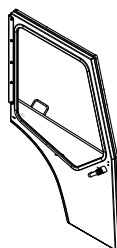
GLASS REAR PANEL LIFT OFF,  
34.31X26.15, 3/16" THICK  
P/N: 8SV-106-00021



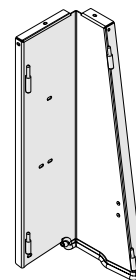
DOOR ASSEMBLY, LEFT  
P/N: 8SV-107-00026-L



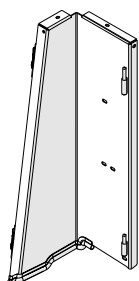
DOOR ASSEMBLY, RIGHT  
P/N: 8SV-107-00026-R



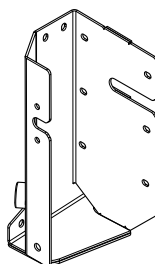
REAR LEG ASSEMBLY, LEFT  
P/N: 8SV-108-00013-L



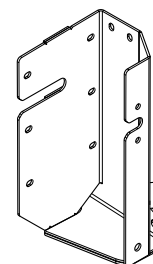
REAR LEG ASSEMBLY, RIGHT  
P/N: 8SV-108-00013-R



ROPS BRACKET, LOWER, LEFT  
P/N: 8SV-110-00047-L

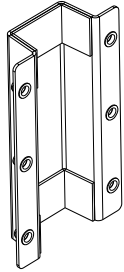


ROPS BRACKET, LOWER, RIGHT  
P/N: 8SV-110-00047-R

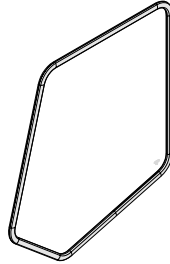


# JOHN DEERE 2 FAMILY CAB (GREEN) SERVICE PARTS

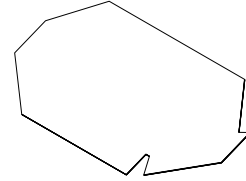
ROPS MOUNTING BRACKET  
ASSY, LOWER  
P/N: 8SV-110-00046



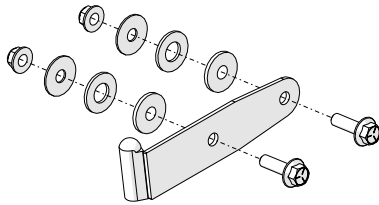
DOOR WINDOW WITH RUBBER  
P/N: 8SV-9GL-00038



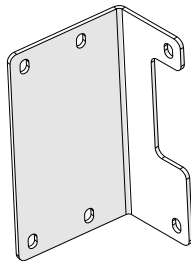
UNDERSEAT FILLER  
P/N: 8SV-CFP-00012



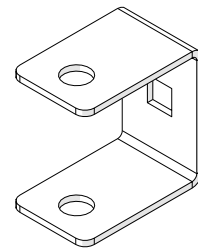
GLASS HINGE SLEEVE WITH  
MOUNTING HARDWARE  
P/N: 8SV-PL-00021



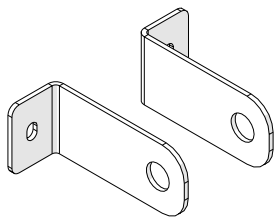
HEATER BRACKET  
P/N: 8SV-SM-00727-JG



BRACKET, LIGHT MOUNT  
P/N: 8SV-SM-00731-JG



ROPS BRACKET, FOLDING PIN (2)  
P/N: 8SV-SM-00759-JG



DOOR HINGE, LEFT  
P/N: 8SV-WA00185L-JG



DOOR HINGE, RIGHT  
P/N: 8SV-WA00185R-JG



WINDSHIELD SUPPORT  
P/N: 8SV-103-00016



DOOR HEADER, LEFT  
P/N: 8SV-113-00156-L

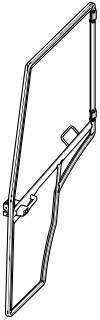


DOOR HEADER, RIGHT  
P/N: 8SV-113-00156-R

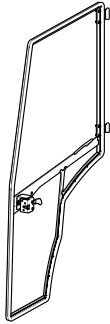


# JOHN DEERE 2 FAMILY CAB (GREEN) SERVICE PARTS

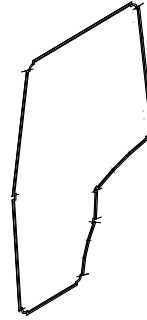
SOFT SIDE DOOR, LEFT  
P/N: 8SV-107-00043-L



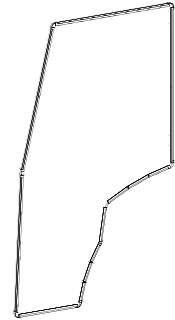
SOFT SIDE DOOR, RIGHT  
P/N: 8SV-107-00043-R



VINYL DOOR SKIN, LEFT  
P/N: 8SV-112-00054-L



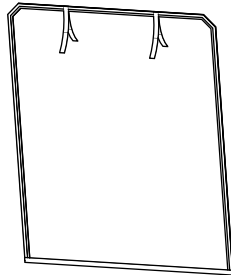
VINYL DOOR SKIN, RIGHT  
P/N: 8SV-112-00054-R



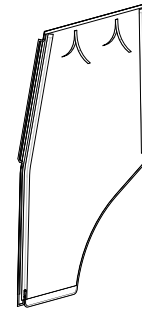
DOOR STRIKER MOUNTING PLATE  
P/N: 8SV-SM-01900-JG



REAR CURTAIN WINDOW  
P/N: 8SV-112-00056



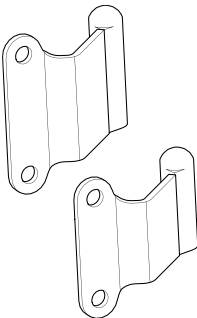
CURTAIN DOOR, LEFT  
P/N: 8SV-112-00055-L



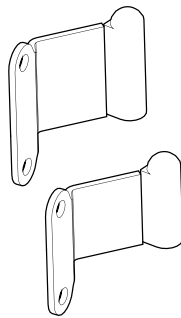
CURTAIN DOOR, RIGHT  
P/N: 8SV-112-00055-R



VINYL DOOR HINGE KIT, TOP & BOTTOM,  
LEFT P/N: 8SV-HKWCA-JG-L








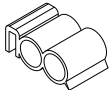



VINYL DOOR HINGE KIT, TOP & BOTTOM,  
RIGHT P/N: 8SV-HKWCA-JG-R



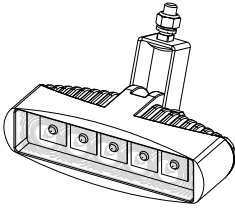
## ADDITIONAL SERVICE PARTS

PART NUMBER	DESCRIPTION
9SV-DP11	DOME PLUG 1/2" (BAG OF 10)
9SV-DP10	DOME PLUG 3/8" (BAG OF 10)
8SV-WL3	WINDSHIELD LATCH & BRKT ASS'Y. SGL POST (SET OF L&R)
9SV-HWS	WINDSHIELD HINGE KIT
9PWM110	WIPER MOTOR, 110 DEGREE
9PWB20-FB	WIPER BLADE, 20", FLEX
9PWA14-16	WIPER ARM, ADJUSTABLE LENGTH (11" - 16")
9PWK-HB	GLASS MOUNTING KIT FOR WIPER SYSTEMS
9SV-DSTR-2	DOOR STRIKER KIT (SET OF 2)
9SV-IHRL	INSIDE HANDLE ROTARY LATCH KIT (INCL. L & R)
9SV-OHRL	OUTSIDE HANDLE ROTARY LATCH KIT (SET OF 2)
9SV-9PHW010-W	HINGE WASHER, KIT (SET OF 4) OD .635, ID .41, THK .08
9PI01	POLY INSERT 1", 14-20 GA BLK MATTE ,INSERT FINIS .94/.95
9PI02	POLY INSERT 3/4", 14-20 GA BLK MATTE FINISH, INSERT FINIS 0.69
8SV-WL3	WINDSHIELD LATCH & BRACKET ASSEMBLY, SINGLE POST (SET OF LEFT & RIGHT)
9SV-VM01	5/8" THICK RUBBER BUMPER (2)
9SV-HWK-00070	HARDWARE KIT JOHN DEERE 2 FAMILY
9SV-9DPSB	HEATER HOSE BUSHINGS, SNAP BUSHING, .750" X 1.093"
9SV-9HR-00005	TEE FITTING, 1-1/8" X 1-1/8" X 5/8"
9SV-9HR0045	BLOCK ADAPTER (3/8" NIPPLE)
9SV-9HR00601.0	HOSE CLAMPS #10 (1")
9SV-9HR00601.5	HOSE CLAMPS #16 (1.5")
9SV-UHTRILV	UNIVERSAL HEATER IN-LINE VALVE (SET OF 2)
9SV-9HR0048	ROCKER SWITCH (HI-OFF-LOW)
9SV-9HR-L	REPLACEMENT LOUVER-15,000 & 20,000 BTU HEATER, KL47
8SV-9PH20WG	TUCK-AWAY HEATER WITH WIRED GROUND
9SV-HRH61-20	HEATER HOSE (5/8" I.D.)-20 FT
9PH20-2	FAN 120 x 120 x 38 12VDC 12W 3200 RPM
9SV-WH-00071	WIRING HARNESS FENDER LIGHT
9SV-WH-00072	WIRING HARNESS POWER
8SV-WH-GF	WIRE HARNESS, GLASS FUSE
9DL01H	KEYS, SET OF 2 ON A RING, FOR HANDLE 1096-1, KEY CODE C40

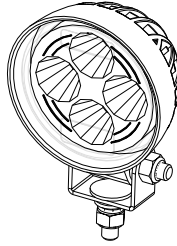
5/8" STD BULB, 1/16" GRIP  9SV-PRO2-15	1" FLAT BULB, 1/16" GRIP  9SV-PRO5-10	ARCH P.S.A.  9SV-PRO9-10	WINDOW RUBBER  9SV-PR10-20	1/2" WEATHERSEAL  9SV-PR20-10	FOAM TAPE, 1/8" X 2"  9SV-PR35-5	3/4" SIDE BULB, 1/4" GRIP  9SV-PR38-15
1-1/2" D. SIDE BULB, 1/16" GRIP  9SV-PR41-5	5/8" SIDE BULB, 1/4" GRIP  9SV-PR23-15					

# OPTIONAL ACCESSORIES FOR JOHN DEERE 2 FAMILY CABS

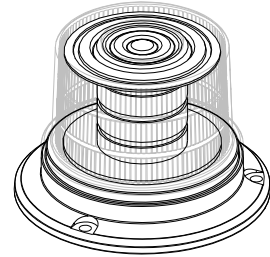
FRONT LED WORK LIGHTS (P/N: 9LEDW4)



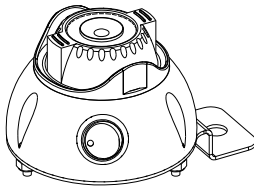
REAR LED WORK LIGHTS (P/N: 9LEDW3)



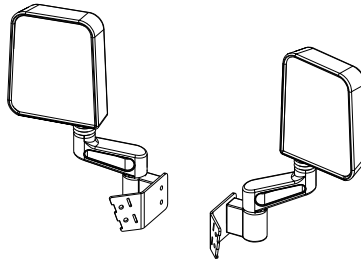
STROBE LIGHT (P/N: 9LEDS2)



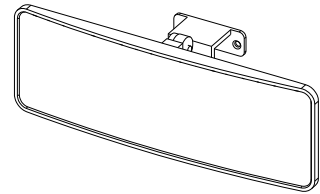
DOME LIGHT (P/N: 9LEDD14)



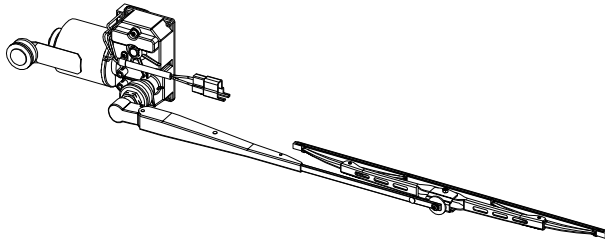
SIDE VIEW MIRRORS (P/N: 9PM5)



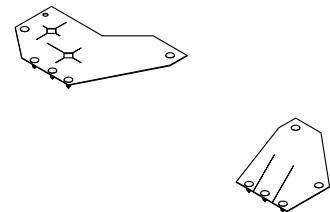
REAR VIEW MIRROR (P/N: 9PM3)



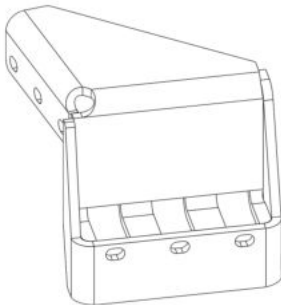
REAR WIPER KIT, 85 DEG W/ 14" FLEX BLADE (P/N: 9PWKRP2F)



SEAL KIT (P/N: 9JD2FSK)



SINGLE POINT HYDRAULIC CONNECTOR  
RELOCATION BRKT (P/N: 1JD2FSPHRB)






# BOLT TORQUE

## BOLT TORQUE SPECIFICATIONS

### GENERAL TORQUE SPECIFICATION TABLE

Use the following torques when special torques are not given. These values apply to fasteners as received from suppliers, dry, or when lubricated with normal engine oil. They do not apply if special graphited or moly disulphide greases or other extreme pressure lubricants are used. This applies to both UNF and UNC threads. Remember to always use grade five or better when replacing bolts.

**IMPORTANT: On all PLATED GRADE 8 bolts, reduce torque 15% from listed bolt torque specification.**

SAE Grade No.		2				5				8*			
Bolt head identification mark as per grade. NOTE: Manufacturing Marks Will Vary													
		TORQUE		TORQUE		TORQUE		TORQUE		TORQUE		TORQUE	
Bolt Size		Pounds Feet		Newton-Meters		Pounds Feet		Newton-Meters		Pounds Feet		Newton-Meters	
Inches	Millimeters	Min.	Max.	Min.	Max.	Min.	Max.	Min.	Max.	Min.	Max.	Min.	Max.
1/4	6.35	5	6	7	8	9	11	12	15	12	15	16	20
5/16	7.94	10	12	14	16	17	20.5	23	28	24	29	33	39
3/8	9.53	20	23	27	31	35	42	48	57	45	54	61	73
7/16	11.11	30	35	41	47	54	64	73	87	70	84	95	114
1/2	12.70	45	52	61	70	80	96	109	130	110	132	149	179
9/16	14.29	65	75	88	102	110	132	149	179	160	192	217	260
5/8	15.88	95	105	129	142	150	180	203	244	220	264	298	358
3/4	19.05	150	185	203	251	270	324	366	439	380	456	515	618
7/8	22.23	160	200	217	271	400	480	542	651	600	720	814	976
1	25.40	250	300	339	406	580	696	787	944	900	1080	1220	1464
1-1/8	25.58	-	-	-	-	800	880	1085	1193	1280	1440	1736	1953
1-1/4	31.75	-	-	-	-	1120	1240	1519	1681	1820	2000	2468	2712
1-3/8	34.93	-	-	-	-	1460	1680	1980	2278	2380	2720	3227	3688
1-1/2	38.10	-	-	-	-	1940	2200	2631	2983	3160	3560	4285	4827

\*Thick Nuts must be used with Grade 8 bolts

### METRIC BOLT TORQUE SPECIFICATIONS



Size of Screw	Property Class	Course Thread			Fine Thread		
		Pitch (mm)	Pounds Feet	Newton-Meters	Pitch (mm)	Pounds Feet	Newton-Meters
M6	5.6	1.0	3.6-5.8	4.9-7.9	-	-	-
	8.8		5.8-9.4	7.9-12.7		-	-
	10.9		7.2-10	9.8-13.6		-	-
M8	5.6	1.25	7.2-14	9.8-19	1.0	12-17	16.3-23
	8.8		17-22	23-29.8		19-27	25.7-36.6
	10.9		20-26	27.1-35.2		22-31	29.8-42
M10	5.6	1.5	20-25	27.1-33.9	1.25	20-29	27.1-39.3
	8.8		34-40	46.1-54.2		35-47	47.4-63.7
	10.9		38-46	51.5-62.3		40-52	54.2-70.5
M12	5.6	1.75	28-34	37.9-46.1	1.25	31-41	42-55.6
	8.8		51-59	69.1-79.9		55-68	75.9-92.1
	10.9		57-66	77.2-89.4		62-75	84-101.6
M14	5.6	2.0	49-56	66.4-75.9	1.5	52-64	70.5-86.7
	8.8		81-93	109.8-126		90-106	122-143.6
	10.9		96-109	130.1-147.7		107-124	145-168
M16	5.6	2.0	67-77	90.8-104.3	1.5	69-83	93.6-112.5
	8.8		116-130	157.2-176.2		120-138	162.6-187
	10.9		129-145	174.8-196.5		140-158	189.7-214.1
M18	5.6	2.0	88-100	119.2-136	1.5	100-117	136-158.5
	8.8		150-168	203.3-227.6		177-199	239.8-269.6
	10.9		175-194	237.1-262.9		202-231	273.7-313
M20	5.6	2.5	108-130	146.3-176.2	1.5	132-150	178.9-203.3
	8.8		186-205	252-277.8		206-242	279.1-327.9
	10.9		213-249	288.6-337.4		246-289	333.3-391.6