



**E-Z-GO RXV
Climate Control
StreetPro SE**
Beige (p/n: 1GCRXV1)
Black (p/n: 1GCRXV2)
Ivory (p/n: 1GCRXV3)
Security (Black & Ivory) (p/n: 1GCRXV4)
White (p/n: 1GCRXV5)

The contents of this envelope are the property of the owner.
Be sure to leave with the owner when installation is complete.

APPROXIMATE INSTALLATION TIME: ONE HOUR
(excluding accessories)



This cab is covered by one or more of the following patents and others pending:
U.S.: 7429072, 7219948, 7281753, D555058, D547697, D542711, D557191.
CAN.: 112130. U.K.: 3022131, 3022412, 3022411, 3022410, 2434126.
Curtis Industries, LLC.

E-Z-GO RXV

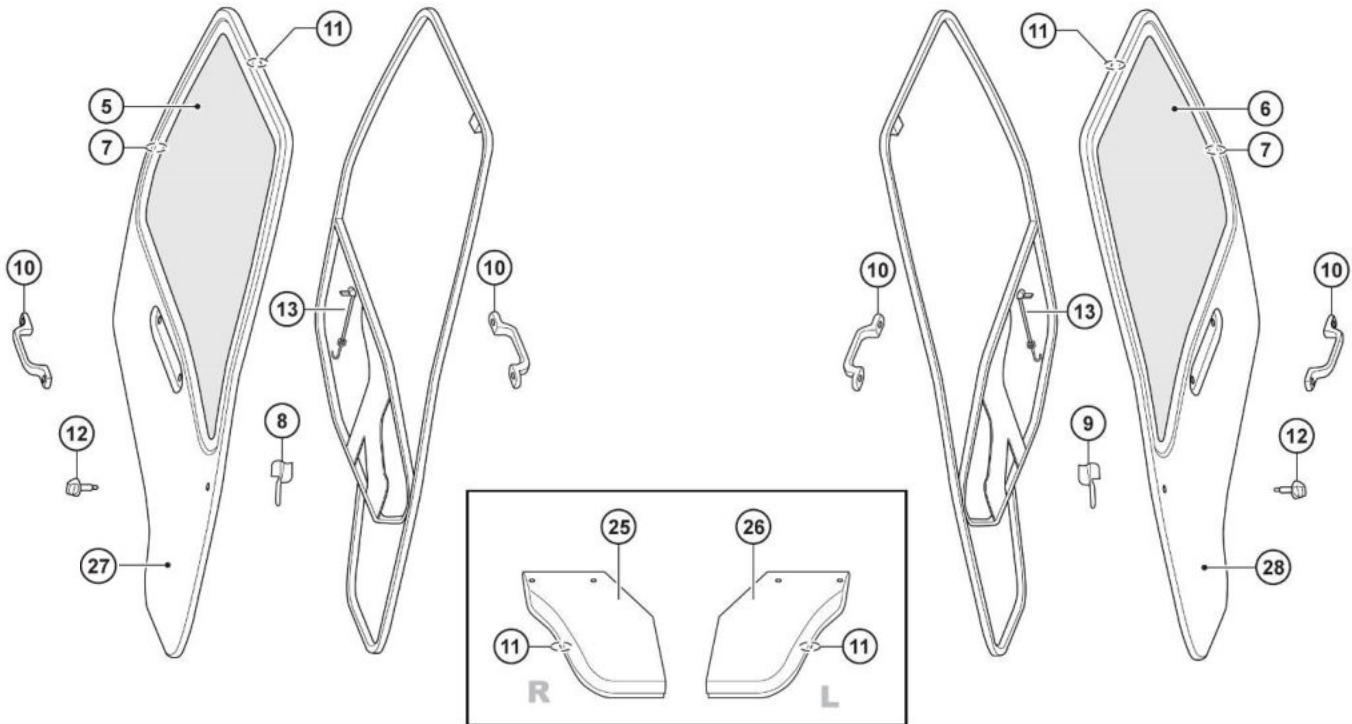
DOOR PARTS

① Right Door with Frame Assembly Complete

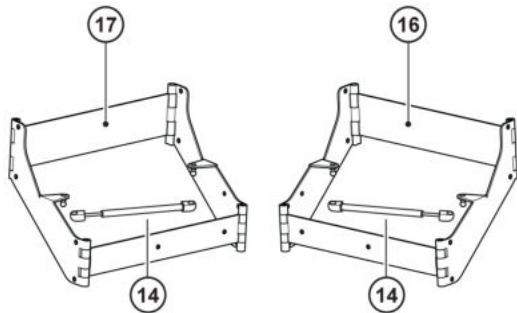
② Left Door with Frame Assembly Complete

③ Right Outer Door Skin with No Frame Complete

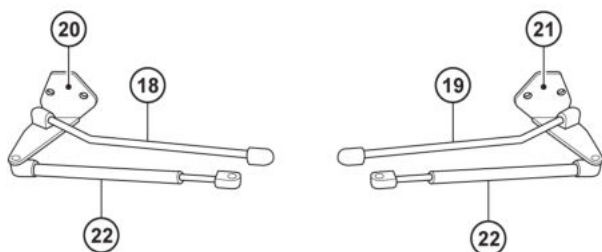
④ Left Outer Door Skin with No Frame Complete



⑮ 4-Leaf Hinge Set Complete



⑳ Top L Hinge Assy Complete ㉑ Top R Hinge Assy Complete

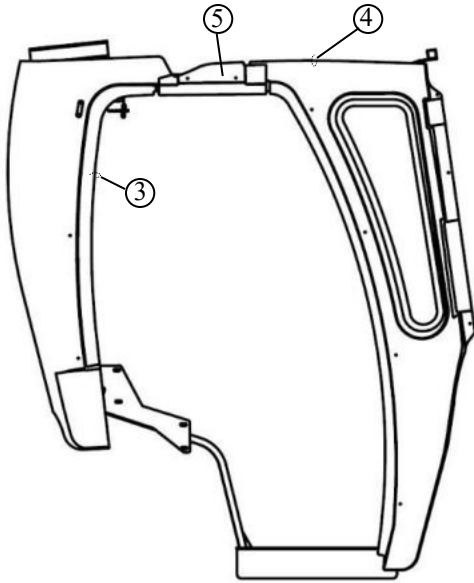


REF #	P/N	DESCRIPTION
1	8SV-RXV7RW 8SV-RXV7RB 8SV-RXV7RBK	Right Door Assembly Complete (White) Right Door Assembly Complete (Beige) Right Door Assembly Complete (Black)
2	8SV-RXV7LW 8SV-RXV7LB 8SV-RXV7LBK	Left Door Assembly Complete (White) Left Door Assembly Complete (Beige) Left Door Assembly Complete (Black)
3	8SV-RXV07DSRW 8SV-RXV07DSRB 8SV-RXV07DSRBK	Right Door Skin Assembly (White) Right Door Skin Assembly (Beige) Right Door Skin Assembly (Black)
4	8SV-RXV07DSLW 8SV-RXV07DSLB 8SV-RXV07DSLBK	Left Door Skin Assembly (White) Left Door Skin Assembly (Beige) Left Door Skin Assembly (Black)
5	8SV-PGCC2R	Right Door Window w/ Mounting Rubber
6	8SV-PGCC2L	Left Door Window w/ Mounting Rubber
7		Molded Acrylic Mounting Rubber (Sold with Windows #5 & #6)
8 & 9	9SV-DLGC	Interior Latch Kit (Set of 2)
10	9SV-GH	Grab Handle Kit (Set of 2)
11	9SV-PR32-15	Door Edge Rubber (15" Length)
12	9SV-DLSGC	Door Knob (Set of 2)
13	9SV-GCYDBC	Bungee Cord Assembly Kit (Set of 2)
14	9SV-GS05	100N Gas Spring Kit (Set of 2)
15	9SV-HDR4L	Hinge Kit (1 Left, 1 Right)
16		Right Hinge Assembly (Sold in Hinge Kit #15)
17		Left Hinge Assembly (Sold in Hinge Kit #15)
18 & 19	9SV-HRGC	Hinge Rod Kit (1 Left, 1 Right)
20 & 21	8SV-GCHPLR-B5	Top Hinge Pivot Kit (1 Left, 1 Right)
22	9SV-GS04	75N Gas Spring Kit (Set of 2)
23	8SV-CC1L	Left Top Hinge Assembly Complete
24	8SV-CC1R	Right Top Hinge Assembly Complete
25		Right Plastic Door Flap (Sold in Right Door Assembly #1)
26		Left Plastic Door Flap (Sold in Left Door Assembly #2)
27		Right Door Skin (Sold in Right Door Skin Assembly #3)
28		Left Door Skin (Sold in Left Door Skin Assembly #4)

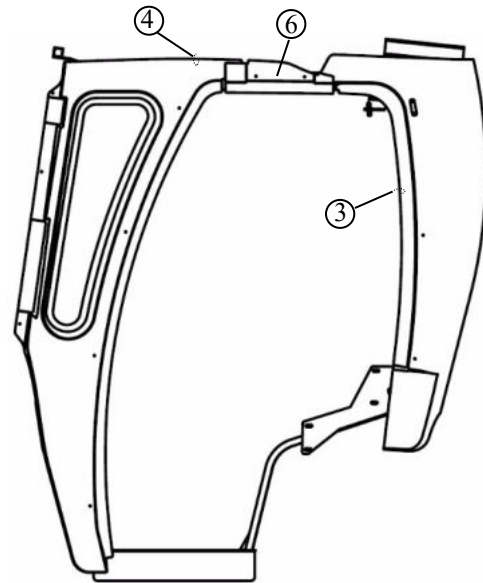
E-Z-GO RXV

SIDE FRAME PARTS

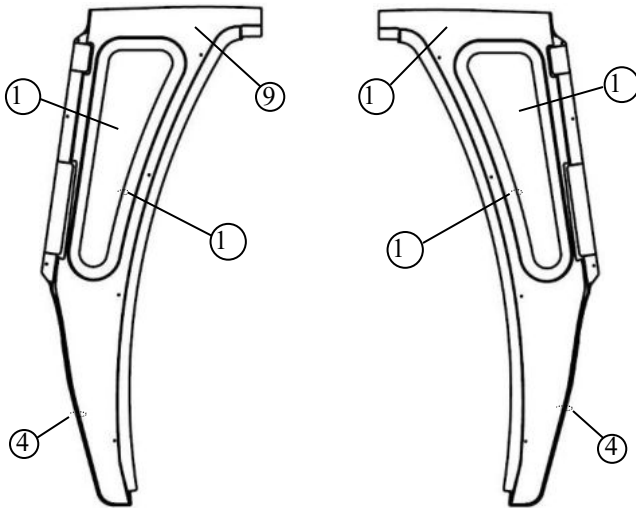
① Right Side Frame including F & R Panels, Header and Rubber , No Door



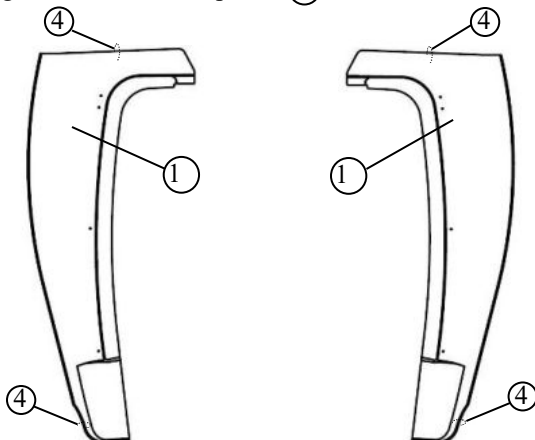
② Left Side Frame including F & R Panels, Header and Rubber , No Door



⑦ Left Front Panel Complete ⑧ Right Front Panel Complete



⑭ Right Rear Panel Complete ⑮ Left Rear Panel Complete

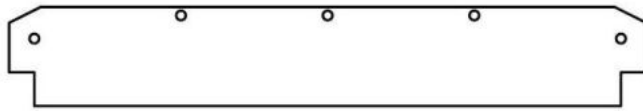


REF #	P/N	DESCRIPTION
1	8SV-RXV19RW 8SV-RXV9RB 8SV-RXV9RBK	Right Side Frame Assembly Complete (White) Right Side Frame Assembly Complete (Beige) Right Side Frame Assembly Complete (Black)
2	8SV-RXV19LW 8SV-RXV9LB 8SV-RXV9LBK	Left Side Frame Assembly Complete (White) Left Side Frame Assembly Complete (Beige) Left Side Frame Assembly Complete (Black)
3	9SV-PRO1-10	Standard Trim Lock (10' Length)
4	9SV-PR19-10	1" Round Bulb Rubber (10' Length)
5		Left Door Header (Sold with Right Side Frame Assembly #1) (Beige, White, or Black)
6		Right Door Header (Sold with Left Side Frame Assembly #2) (Beige, White, or Black)
7	8SV-RXV104LW 8SV-RXV04LB 8SV-RXV04LBK	Left Front Panel Complete (White) Left Front Panel Complete (Beige) Left Front Panel Complete (Black)
8	8SV-RXV104RW 8SV-RXV04RB 8SV-RXV04RBK	Right Front Panel Complete (White) Right Front Panel Complete (Beige) Right Front Panel Complete (Black)
9		Left Front Panel Skin (Sold with Left Front Panel #7)
10		Right Front Panel Skin (Sold with Right Front Panel #8)
11	8SV-IARXVFWL	Left Front Window w/ Mounting Rubber
12	8SV-IARXVFWR	Right Front Window w/ Mounting Rubber
13		Ball Cage Rubber (Sold with Windows #11 & #12)
14	8SV-RXV106LW 8SV-RXV06LB 8SV-RXV06LBK	Left Rear Panel Complete (White) Left Rear Panel Complete (Beige) Left Rear Panel Complete (Black)
15	8SV-RXV106RW 8SV-RXV06RB 8SV-RXV06RBK	Right Rear Panel Complete (White) Right Rear Panel Complete (Beige) Right Rear Panel Complete (Black)
16		Left Rear Panel Skin (Sold with Left Front Panel #14)
17		Right Rear Panel Skin (Sold with Right Rear Panel #15)

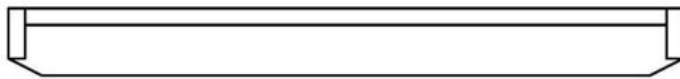
This list is to be used for ordering service parts. DO NOT DISCARD.

STANDARD PARTS (cont'd.)

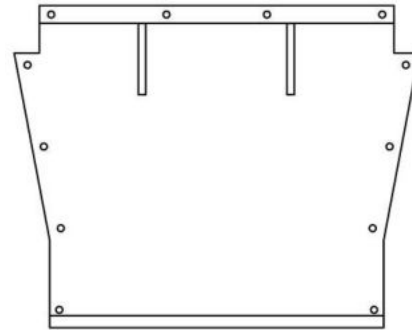
REF	#P/N	DESCRIPTION
1	8SV-RXV03URC-VR	Upper Rear Curtain
2	8SV-RXV03LRC-VC	Lower Rear Curtain
3	8SV-RXV03FDP-VD	Front Draft Panel (w/Velcro)
4	8SV-RXV03FCF-VD	Cowl Filler (w/Velcro)



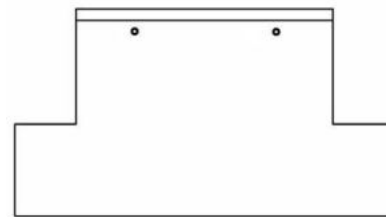
③ Front Draft Panel



④ Cowl Filler



① Upper Rear Curtain



② Lower Rear Curtain

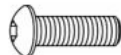
HARDWARE KIT (p/n: EZRXV-HWK):



#10 x 3/4"
PHILLIPS
SELF-DRILL/
TAP SCREW



1/2" P-CLIP



3/8-16 x 3-1/4"
3/8-16 x 3-3/4"
BUTTON HEAD
BOLTS



3/8" STEEL
WASHERS



3/8-16 NYLON
LOCKNUTS



#8
SELF-
TAPPING
STUD
SNAP

TOOLS REQUIRED:

OPEN END WRENCHES (METRIC AND SAE)
 RATCHET AND SOCKETS (METRIC AND SAE)
 ALLEN WRENCHES (METRIC AND SAE)
 TORX WRENCHES
 SCREWDRIVER (PHILLIPS HEAD)
 ELECTRIC DRILL AND 6" PHILLIPS HEAD BIT
 TAPE MEASURE
 FINE POINT ERASABLE MARKER
 SCISSORS