



KUBOTA BROCHURE

CURTIS INDUSTRIES LLC



CABS • ACCESSORIES • ATTACHMENTS



KUBOTA X1130 & X1140 RETRO KIT AC SYSTEM + FRONT ROOF

FEATURES

- All Aluminum Low Profile rooftop design
- The rooftop comes completely assembled with hoses and wiring pre-connected
- Overhead controls for blower and thermostat
- 10 multi-directional adjustable vents
- 3-speed blower control
- Adjustable electronic thermostat
- Blend door provides fresh air, recirculated air, or a mix

FITMENTS

Fits Kubota RTV-X1130

Includes standard Roof for X1130.

SKU: 1ACX1130

Fits Kubota RTV-X Crew/X1140*

Includes front roof for X1140 & X-Crew.

SKU: 1ACX1140-RK



KUBOTA X CREW & X1140 AC SYSTEM + FULL ROOF

FEATURES

- All Aluminum Low Profile rooftop design
- The rooftop comes completely assembled with hoses and wiring pre-connected
- Overhead controls for blower and thermostat
- 10 multi-directional adjustable vents
- 3-speed blower control
- Adjustable electronic thermostat
- Blend door provides fresh air, recirculated air, or a mix

FITMENTS

Fits Kubota RTV-X Crew & RTV-X1140

Includes Full Roof for front and back sections.

SKU: 1ACX1140



PREMIUM AC CAB FOR KUBOTA ZD1211

FEATURES

Real air conditioning for the John Deere Z994R offers users the ultimate operator comfort with protection from the sun, heat, rain, dust, and insects.

- Air Conditioned Operator Enclosure
- Fully Assembled Drop-On Cab
- Lightweight aluminum construction
- Weather-tight, full perimeter sealing
- Hard-coated, tinted, scratch-resistant polycarbonate windshield & doors
- Effortless entry with large, rear-hinged, lockable side doors that may be quickly removed
- Automotive-style A/C, fully charged, mechanically driven compressor
- Easy fuel tank access
- Pre-drilled holes for optional side mirrors
- Aluminum roof with acoustical headliner

FITMENTS

Fits Kubota Model ZD1211 with 60" or 72" side discharge mower decks (2016+ model years)

(Not compatible with the rear discharge mowers or Tweels)

SKU: 1KUBZD1211PR2

SPECS

- Install Time: 4-6 Hours
- Shipping weight: 423 lbs.
- Shipping Dimensions: 64 x 84 x 71 inches
- Cab width: 62 x 84 inches
 - Height above floorboard: 64" at the highest point
 - Windshield: Polycarbonate
 - Door windows: Polycarbonate

WORK IN STYLE, NOT THE HEAT!



KUBOTA BX80 ADVANTAGE CAB (2018+)

FEATURES

- Corrosion-resistant powder-coat finish
- Kubota orange color match doors and roof
- Steel roof with acoustical headliner and tapered drip edge
- Venting glass windshield
- Venting/removable rear glass panel; locks open to vent or lifts out
- Doors and rear panel are pin-hinged for easy removal
- Large, clear glass windows and rear panel provide distortion-free visibility
- Locking doors

FITMENTS

Curtis Advantage Series Cab fits Kubota models BX1880, BX2380 & BX2680 (2018+ model years).

SKU: 1KBX80CA2



KUBOTA BX80 PLUS CAB (2018+)

FEATURES

- Framed, rear-hinged, lockable durable clear vinyl doors
- Venting glass windshield
- Venting/removable roll-up vinyl rear panel; rolls up to vent or removes
- Custom-designed high-strength Curtis frame
- Steel roof with acoustical headliner and tapered drip edge
- Powder coated finish – custom factory color matched/corrosion resistant
- Pre-drilled holes for accessory work lights and mirrors

FITMENTS

Curtis Plus Series Cab fits Kubota models BX1880, BX2380 & BX2680 (2018+ model years).

SKU: 1KBX80PC



KUBOTA BX80 ADVANTAGE CAB WITH A/C

FEATURES

- Front windshield wiper
- Cab heater
- Corrosion-resistant powder-coat finish
- Kubota orange color match doors and roof
- Steel roof with acoustical headliner and tapered drip edge
- Venting glass windshield
- Venting/removable rear glass panel; locks open to vent or lifts out
- Doors and rear panel are pin-hinged for easy removal
- Large, clear glass windows and rear panel provide distortion-free visibility
- Locking doors

FITMENTS

Curtis Advantage Series Cab with AC Bundle fits Kubota models BX2380 & BX2680 (2018+ model years).

SKU: BX80CABACBUNDLE



AC FOR KUBOTA BX70-1 | BX80

FEATURES

- Dynamic load control software efficiently manages vehicle electrical power with minimal draw
- Stylish, low-profile design allows enough clearance to park in most standard garages
- The overhead console features multi-speed fan control & four 360-degree adjustable louvers
- The power kit includes a supplemental alternator
- Simple and easy installation in about 2 hours
- Comes pre-charged with refrigerant – no complicated initial setup
- Includes replacement roof
- Air conditioning available for Kubota BX Series

FITMENTS

Fits Kubota Models BX2370-1, BX2670-1, BX2380 & BX2680

SKU: 1ACUNIT-G2



AC FOR KUBOTA F-SERIES 3990

FEATURES

- Dynamic load control software efficiently manages vehicle electrical power with minimal draw
- Stylish, low-profile design for maximum clearance
- The overhead console features multi-speed fan control & four 360-degree adjustable louvers
- The power kit includes a supplemental alternator
- Simple and easy installation in about 2 hours
- Comes pre-charged with refrigerant – no complicated initial setup
- Includes replacement roof

FITMENTS

Fits Kubota
Model F3990

SKU: N/A



CURTIS SURE STEP KIT

FEATURES

- The Curtis Sure Step Kit provides Two 14" Strips of Grit Tape for installation on the Cab Floorboards to provide improved traction when entering and exiting the cab.
- Installation is easy and fast.
- Have confidence with the Curtis Sure Step Kit to compliment your new Cab.

FITMENTS

Fits most
Curtis Cab
supported
compact
tractors

SKU: 9CST

CURTIS CAB DOOR STORAGE BRACKET KIT

FEATURES

Curtis Universal wall mount brackets allow for easy and convenient door storage. The Curtis Cab easy lift pin hinges allow for convenient access at any time, ideal for warm weather storage and limited storage space.

Kit includes 2 brackets and lag bolts for mounting into a stud.

FITMENTS

Seperate styles for Hinge Pins and Hinge Sleeves available.

SKU

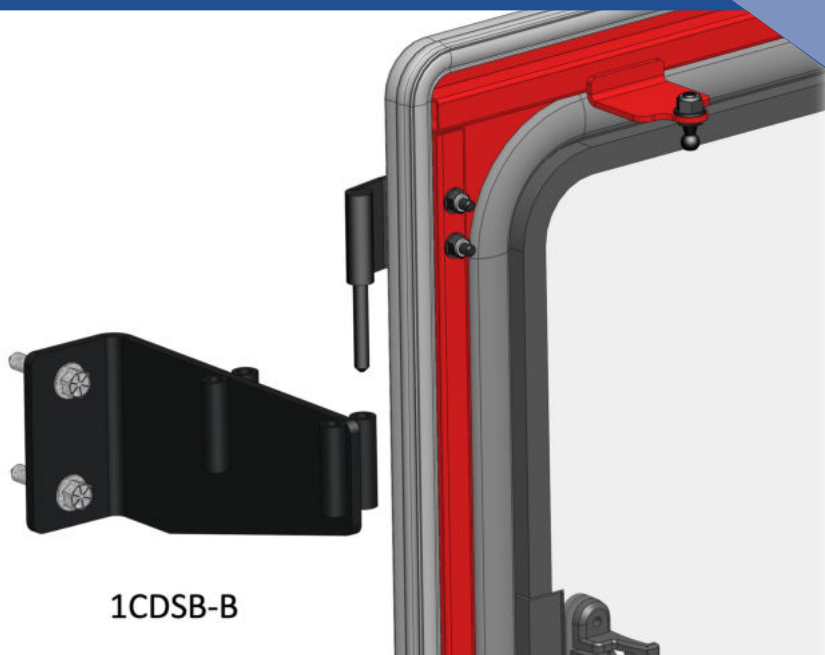
1CDSB-B
For Doors with Hinge Pins

1CDSB-W
For Doors with Hinge Sleeves

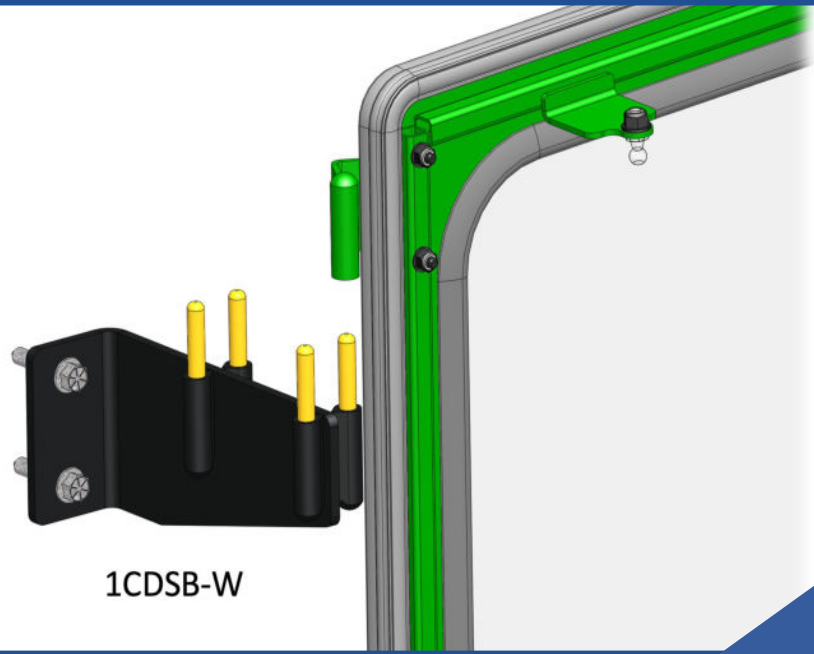
SPECS

STORAGE CAPABILITIES

- Flat Doors: 4
- Bent Doors: 2
- Flat doors may be stored double on one side to save room



1CDSB-B



1CDSB-W

KEEP YOUR DOORS TUCKED SAFELY AWAY DURING OPEN AIR CAB USE!



KUBOTA LX ADVANTAGE CAB

FEATURES

- Corrosion-resistant powder-coat finish
- Kubota orange color match doors and roof
- Steel roof with acoustical headliner
- Venting glass windshield
- Venting/removable rear glass panel; locks open to vent or lifts out
- Doors and rear panel are pin-hinged for easy removal
- Large, clear glass windows and rear panel provide distortion-free visibility
- Locking doors

FITMENTS

Curtis Advantage Series Cab fits Kubota models LX2610HSD, LX2610SUHSD & LX3310HSD. Compatible with LA535 loader. Compatible with BH 77 backhoe when adding the 1KLXBK kit.

Backhoe Compatible (with adapter kit)

SKU: 1KLXCA



KUBOTA LX PLUS CAB

FEATURES

- Framed, rear-hinged, lockable durable clear vinyl doors
- Venting glass windshield
- Venting/removable roll-up vinyl rear panel
- Custom-designed high-strength Curtis frame
- Steel roof with acoustical headliner
- Powder-coated finish – custom factory color-matched/ corrosion resistant
- Pre-drilled holes for accessory work lights and mirrors
- Backhoe Compatible (with adapter kit)

FITMENTS

Curtis Plus Series Cab fits Kubota models LX2610HSD, LX2610SUHSD & LX3310HSD. Compatible with LA535 loader.

Compatible with BH 77 backhoe when adding the 1KLXBK kit.

SKU: 1KLXPC



KUBOTA L3302 | 3902 PREMIUM CAB

FEATURES

- Commercial-grade enclosure, powder-coated steel frame, roof, and doors
- Safety glass windshield, sliders, and rear panel
- Venting windshield
- Front wiper included
- Cab fits hydrostatic (HST) and gear-drive transmissions
- Remove Pin-hinged doors in seconds without tools
- Gas shocks support doors for easy opening and better control in windy conditions

FITMENTS

Kubota L3302 | 3902 Premium Cab fits L3302 & L3902 Compact Tractors

Works with a host of attachments including LA 526 loader and BH77 backhoe (vinyl rear panel required for backhoe operation)

SKU: 1KLO2PR



KUBOTA L3301 | 3901 PREMIUM CAB

FEATURES

- Commercial-grade enclosure, powder-coated 16-gauge steel frame, roof, and doors
- Safety glass windshield, sliders, and rear panel
- Venting windshield
- Front wiper
- Cab fits hydrostatic (HST) and gear-drive transmissions
- Remove Pin-hinged doors in seconds without tools
- Gas shocks support doors for easy opening and better control in windy conditions

FITMENTS

Kubota L3301 | 3901 Premium Cab fits L3301 & L3901 Compact Tractors

Works with a host of attachments including loader and backhoe (vinyl rear panel required for backhoe operation)

SKU: 1KL39PR



KUBOTA BX70-1 PREMIUM CAB

FEATURES

- AS2 tempered safety glass windshield that vents
- Front wiper
- Dual-sliding glass door windows
- Cab fits BX2370-1 and BX2670-1
- All steel roof for better protection
- Pre-drilled holes in rear for easy wiper installation (wiper optional)
- Flat glass rear panel with more visibility

FITMENTS

Premium Cab Fits Kubota Models BX2370-1 & BX2670-1

SKU: 1KBX70-1AS



KUBOTA BX70 | 25D HARD SIDE CAB

FEATURES

- All steel frame, doors, and roof for better protection
- AS2 tempered safety glass windshield that vents
- Dual sliding door glass
- Front wiper
- Pre-drilled holes in rear panel for easy wiper installation (wiper optional)
- Roof lifts at back on gas shocks
- Quick-release rear panel for backhoe operation

FITMENTS

Kubota BX70 | 25D Hard Side Cab Fits BX2370, BX2670, BX25D and BX25D-1

(Does not fit BX1870 platform)

SKU: 1KBX70AS



KUBOTA B2301 | 2601 | 2401 PREMIUM CAB

FEATURES

- Tempered safety glass windshield, sliders, and rear panel
- Front-hinged steel roof lifts on gas shocks for backhoe operation
- Dual sliding door windows
- Steel roof with acoustical headliner
- 110-degree windshield wiper
- Pin-hinged doors
- Doors assisted with gas shocks
- Lockable doors
- Total weather seal, full rubber seal around door
- Seal kit

FITMENTS

Premium Cab Fits
Kubota Models
B2301, 2601 &
2401*

**Conversion
Kit Required for
Kubota B2401
Cab Fitment
(1KB2401AK)*

SKU: 1KB01PR2



KUBOTA L2501 | 3200 | 3800 ALL-STEEL CAB

FEATURES

- Hard side cab
- Commercial-grade enclosure maintains full ROPS certification
- Works with a host of attachments including loader and backhoe
- Durable, powder-coated steel frame cab with steel doors and full sliding windows
- Pin-hinged doors for easy removal in seconds
- Unique styling complements factory design elements

FITMENTS

Kubota L2501
| 3200 | 3800
All-Steel Cab fits
L2501, L3200
and L3800
Compact Tractors

SKU: 1KL38AS



KUBOTA B2650 | B3350 ALL-STEEL CAB

FEATURES

- Hard roof with acoustical headliner
- 12-volt heavy-duty electric wiper 110-degree sweep
- Vented automotive-style safety glass windshield
- Sliding windows
- Pin-hinged doors for easy removal in seconds
- Glass rear panel standard (optional soft rear panel needed for backhoe use)

FITMENTS

Fits Kubota models
B2650 & B3350
Compact Tractors

*Backhoe
compatible with soft
rear panel*

SKU: 1KB33AS



KUBOTA B SERIES SOFT SIDE CAB

FEATURES

- Hard roof with acoustical headliner
- 12-volt heavy-duty electric wiper
- Venting automotive-style safety glass windshield
- Soft doors, metal framed with handles, latches, and hinges
- Pin-hinged doors remove in seconds
- Snap-in rear curtain

FITMENTS

Kubota B Series
Soft Side Cab fits
B1700, B2100,
B2400, B2410,
B2710, B2910,
B7300, B7500 &
B7800

SKU: 1KB17SS1



KUBOTA L47 TRACTOR/LOADER/BACKHOE PREMIUM CAB

FEATURES

- All-glass cab for unmatched operator visibility in all directions
- Venting right side half door, pop-out left and right side windows, and pop-out rear glass panel
- Quick-release backhoe cab
- Front wiper/washer and rear wiper included
- Rearview mirror
- Total weather seal design
- Heater with front and rear heating vents
- Lockable doors

FITMENTS

Kubota L47 TLB Premium Cab fits the Kubota L46 TLB

Optional glass rear panel for non-backhoe operations (1KTLBL47RP)

Optional rear hydraulic closeout kit (1KTLBL47HYD)

SKU: 1KTLBL47



KUBOTA M62 TRACTOR/LOADER/BACKHOE PREMIUM CAB

FEATURES

- All-glass cab for unmatched operator visibility in all directions
- Venting right side half door, pop-out left and right side windows, and pop-out rear glass panel
- Quick-release backhoe cab
- Front wiper/washer and rear wiper included
- Total weather seal design
- Heater included with front and rear heating vents
- Lockable doors

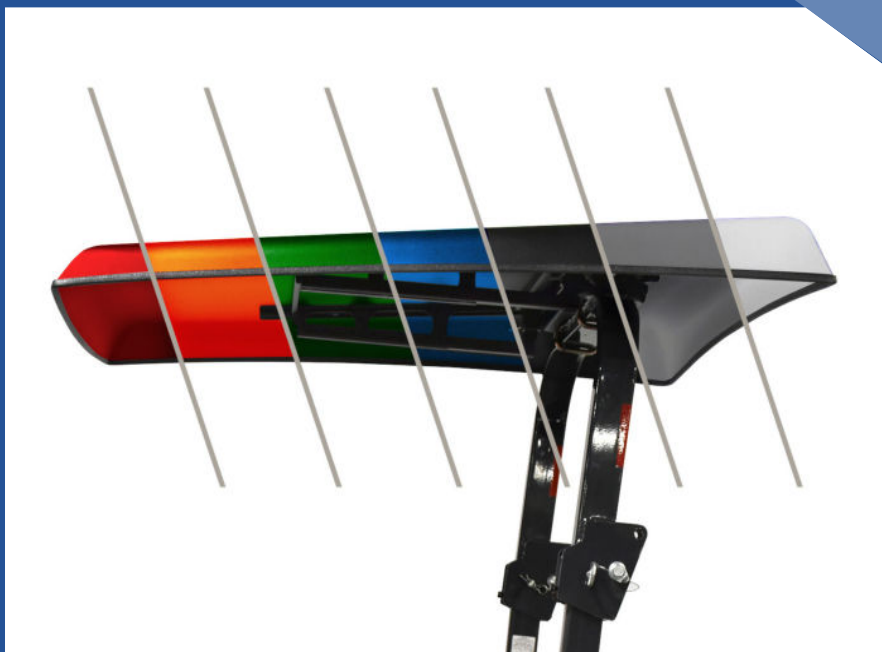
FITMENTS

Kubota M62 TLB Premium Cab fits the Kubota M62 TLB

Optional glass rear panel for non-backhoe operations (1KTLBM62RP)

Optional Rear Hydraulics Closeout Kit (1KTLBM62HYD)

SKU: 1KTLBM62



UNIVERSAL ROPS-MOUNT CANOPY

FEATURES

- Available in 6 colors: Black, White, Gray, Red, Orange & Green
- Lightweight aluminum cover – weighs less than 30 lbs.
- Tool-less removal in seconds
- Integrated handles – quick-release latches
- Reversible – rear-facing for backhoe operation
- Adjustable positioning – fits angled or straight ROPS
- Canopy top adjusts 6” forward or aft
- Easily installs in 30 minutes
- Trailer-able up to 35 mph

FITMENTS

Fits Maximum ROPS Size 3” Wide X 2 ¾” Thick.

Requires 10 inches of flat surface on top of ROPS.

56” long and 42” wide at the back, tapering to 37” in the front.



EXTRA LARGE UNIVERSAL ROPS-MOUNT CANOPY

FEATURES

- Available in 6 colors: Black, White, Gray, Red, Orange & Green
- Lightweight aluminum cover – weighs less than 34 lbs.
- Tool-less removal in seconds
- Integrated handles – quick-release latches
- Reversible – rear-facing for backhoe operation
- Adjustable positioning – fits angled or straight ROPS
- Canopy top adjusts 6” forward or aft
- Easily installs in 30 minutes
- Trailer-able up to 35 mph

FITMENTS

Fits Maximum ROPS Size 3” Wide X 2 ¾” Thick.

Requires 10 inches of flat surface on top of ROPS.

62” long and 48” wide at the back, tapering to 43 1/2” in the front



ROUND DIRECTIONAL ROPS-MOUNT WORK LIGHTS

FEATURES

- Kit includes 2, 3-inch round LED work lights and mounting hardware
- Aluminum ROPS mounting plate
- Integrated grab handle/brush guard
- On/Off rocker switch on each light
- Mounts to round ROPS structures

FITMENTS

Accommodates ROPS profile dimensions of 2.75" X 3" maximum.

Great for most UTVs, tractors, and mowers equipped with round ROPS.

Sold in pairs.

SKU: 1RMLKRR



SQUARE/RECTANGULAR DIRECTIONAL ROPS-MOUNT WORK LIGHTS

FEATURES

- Kit includes 2, 3-inch round LED work lights and mounting hardware
- Aluminum ROPS mounting plate
- Integrated grab handle/brush guard
- On/Off rocker switch on each light
- Mounts to round ROPS structures

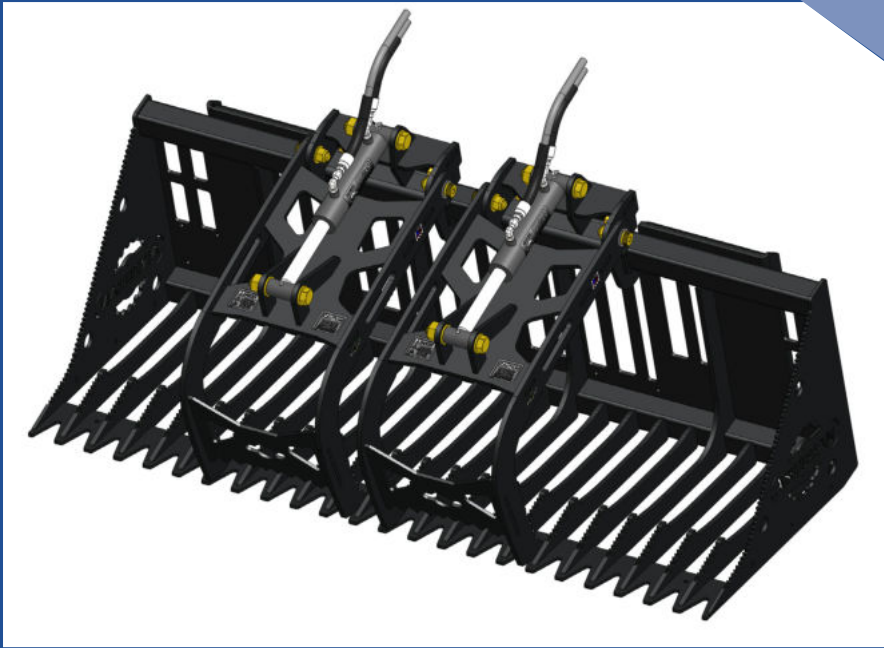
FITMENTS

Accommodates ROPS profile dimensions of 1.5 inches - 2.5 inches maximum.

Great for most UTVs, tractors, and mowers equipped with square/rectangular ROPS.

Sold in pairs.

SKU: 1RMLK



ARTILLIAN 54" QUICK ATTACH ROCK BUCKET & GRAPPLE

FEATURES

Engineered with a high strength-to-weight ratio, the 54" Artillian Rock Bucket is perfect for compact and sub-compact tractors. At ~200 Lbs. it comes in at just over the weight of a sub-compact OEM material bucket. No added weight to reduce lift capacity.

- Designed for fast and efficient cleanup
- High quality materials provide reliable durability
- Serrated edges aid in ripping through roots
- Optional grapple kit allows for heavy lifting use and increased versatility
- Minimal set up time due to convenient and easy attachment
- 2" tine spacing for easy sifting and spreading
- Powder coating color matched paint resists corrosion
- Notches help prevent rock rollback during sifting

The Rock Bucket Grapple provides clamping force for pulling large stones out of the ground, while preventing them from rolling out of the bucket. Adds versatility to the rock bucket, allowing it to be used as a grapple for moving debris, sticks, logs, etc.

- Single or Dual grapple option

FITMENTS

Available in Skid Steer Quick Attach (per SAE J2513) versions.

SKU

Skid Steer (Orange):
1RBKT-SSQA-O

Skid Steer (Black):
1RBKT-SSQA-TB

SPECS

Skid Steer: 204lbs.

- Inside Width: ~54"
- Inside Height: ~16"
- Inside Depth: 22"
- Tine Spacing: 2"
- Capacity: 2,000 Lbs.
- Tractors: under 40 HP



SIFTING, SPREADING, DIGGING, LIFTING- ALL IN ONE, TO GET THE JOB DONE.

FITMENTS

Fast-Cast 2000 Spreaders require a 2-inch hitch mount, sold separately.

300:

SKU: 1CS9

400:

SKU: 1CS10

2000:

SKU: 1CS1

FAST CAST SPREADERS - 300, 400 & 2000

SPECS

Fast Cast Spreader 300 / 400

3.0 cubic feet/180 lbs. capacity
4 to 20 ft. spreading width
Light duty applications

- 3.0 cubic feet/180 lbs. capacity
- 4 to 20 ft. spreading width
- Modular steel frame
- 10-inch poly spinner
- 12 volt DC / 7-10 amp direct-drive motor
- Standard 2-inch receiver mount included
- In-cab controller

Fast Cast Spreader 2000

5.0 cubic feet/350 lbs. capacity
4 to 40 ft. spreading width
Heavy duty applications

- 5.0 cubic feet/350 lbs. capacity
- 4 to 40 ft. spreading width
- High-density UV-protected polymer
- Modular steel frame
- 10-inch steel spinner
- 12 to 15 amp draw

APPLICATIONS

Light duty applications: light rock salt, fertilizer and fine material.

Heavy duty application: rock salt



CAST A FAST SPREAD WITH FAST CAST SPREADERS!



SIDE MIRRORS

SKU: 9PM5

Description:

These stylish black mirrors complement any color vehicle, while increasing your range of visibility with its adjustable angling. Designed to break away, and easily installed with a simple 2-bolt mount.



DIRECTIONAL KIT

SKU: 9PDK

Description:

Ideal retrofit kit, this units is all inclusive with 2 double-faced (red, amber) lights, flasher, lever switch and steering column clamp.



REAR VIEW MIRROR

SKU: 9PM3

Description:

Dash or roof mount, this rear view mirror will ensure visibility and safety while working and driving. Includes all mounting hardware.



STROBE LIGHT, ROOF MOUNT

SKU: 9LEDS2

Description:

The amber LED strobe light mounts to any roof, metal or plastic, featuring a bright LED with 360-degree rotation and 3 flash modes for excellent visibility.



DOMELIGHT

SKU: 9LEDD

Description:

LED dome light swivels, angles and spins to point the light exactly where it's needed. Kit is complete with bracket, hardware and all wiring.



CAB HEATERS

Available for: John Deere 1023E, 1025R Cab (2017) | 2210, 2305 All Steel Cab | 2520-Series | 3000 & 4000 Series Cab | 3-Series Cab | 4 Family Cab | Gator HPX/XUV | Gator XUV

Description:

Keep your cab toasty and your chores comfy!

CURTIS INDUSTRIES LLC

Curtis Industries is recognized as one of the most innovative designers and manufacturers of compact vehicle enclosure systems, attachments & related accessories. Our products are sold through dealers in the United States, Canada, Europe and Asia. We are also a supplier to major original equipment compact vehicle and tractor manufacturers (OEMs). Our goal is to enhance our customers' comfort and productivity every day!



curtiscab.com
artillian.com



70 Hartwell Street
West Boylston, MA 01583

EMPOWER YOUR TRACTOR

